



Chipsmall Limited consists of a professional team with an average of over 10 year of expertise in the distribution of electronic components. Based in Hongkong, we have already established firm and mutual-benefit business relationships with customers from,Europe,America and south Asia,supplying obsolete and hard-to-find components to meet their specific needs.

With the principle of “Quality Parts,Customers Priority,Honest Operation,and Considerate Service”,our business mainly focus on the distribution of electronic components. Line cards we deal with include Microchip,ALPS,ROHM,Xilinx,Pulse,ON,Everlight and Freescale. Main products comprise IC,Modules,Potentiometer,IC Socket,Relay,Connector.Our parts cover such applications as commercial,industrial, and automotives areas.

We are looking forward to setting up business relationship with you and hope to provide you with the best service and solution. Let us make a better world for our industry!



Contact us

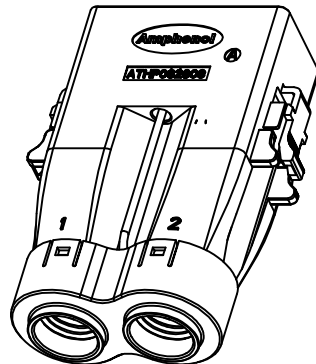
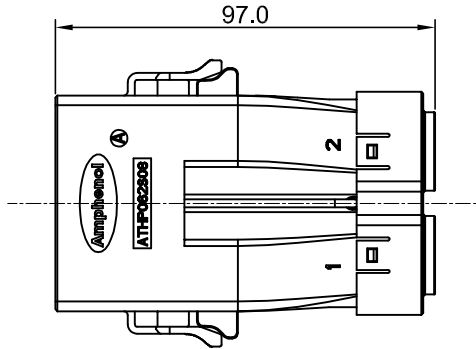
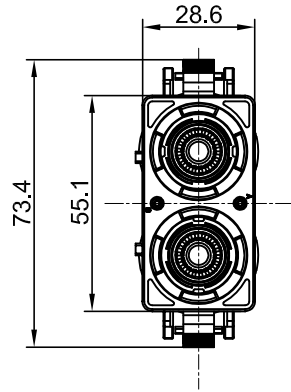
Tel: +86-755-8981 8866 Fax: +86-755-8427 6832

Email & Skype: info@chipsmall.com Web: www.chipsmall.com

Address: A1208, Overseas Decoration Building, #122 Zhenhua RD., Futian, Shenzhen, China



REVISIONS					
REV	ECO	DESCRIPTION	DATE	BY	APPR
A1	-	RELEASE NEW DRAWING	Dec.15.2016	Regan	Tommy



NO.	PART NUMBER	Cable OD Range
1	ATHP062S08NL16-50S1	15.5~16.5 mm

OTHER OD RANGE IS OPTION

NOTES: UNLESS OTHERWISE SPECIFIED

- MATERIAL:
 - HOUSING: THERMOPLASTIC UL 94V0
 - SEAL: SILICONE RUBBER
 - POWER CONTACT: COPPER ALLOY, SILVER PLATED
- SPECIFICATIONS:
 - CURRENT RATING: 50mm²@180 AMPS
 - VOLTAGE RATING: 1000 V AC/DC
 - OPERATING TEMPERATURE: -40°C TO +130°C
 - DIELECTRIC WITHSTANDING VOLTAGE: LESS THAN 2 MILLIAMPS CURRENT LEAKAGE @ 3000 VOLTS AC.
 - INSULATION RESISTANCE: 500 MEGOHMS MIN@25°C.
 - DEGREE OF PROTECTION: IP67 (MATED CONDITION)
 - MATING CYCLE DURABILITY: 100 CYCLES
 - RoHS COMPLIANT
- SIGNAL CONTACT: RT SERIES 14# SOCKET CONTACT
POWER CONTACT: SC000383-8
- ALL DIMENSIONS ARE FOR REFERENCE USE ONLY.

TITLE: ATHP PLUG, 2 PIN, 8MM HVIL WITH/OUT EMC SHIELDING
DWG NO: ATHP062S08NL16-50Sx
REV: A1
SH: 1
OF: 1

PART NUMBER		DESCRIPTION		ITEM																																			
ATHP062S08NL16-50S1		ATHP, PLUG, 2 PIN, 8MM HVIL WITHOUT EMC SHIELDING		1																																			
<table border="1"> <thead> <tr> <th>QUANTITY</th> <th colspan="4">MATERIALS LIST</th> </tr> </thead> <tbody> <tr> <td rowspan="3">UNLESS OTHERWISE SPECIFIED 1) All dimensions are in metric (mm). 2) Tolerances are as follows: 1 PL DEC ±0.30 2 PL DEC ±0.15 3 PL DEC ±0.08 3) Note reference = </td> <td colspan="2">SIGNATURES</td> <td colspan="2">DATE</td> </tr> <tr> <td>DRAWN: Regan</td> <td colspan="2">Dec.15.2016</td> <td rowspan="3"> <h1>Amphenol</h1> <p>Sine Systems - www.amphenol-sine.com 44724 Morley Drive Clinton Township, MI 48036</p> </td> </tr> <tr> <td>CHECKED:</td> <td colspan="2"></td> </tr> <tr> <td>ENGINEER:</td> <td colspan="2"></td> </tr> <tr> <td>MATERIAL SPECIFICATIONS:</td> <td colspan="2">APPROVAL:</td> <td colspan="2"></td> </tr> <tr> <td>PROCESS SPECIFICATIONS:</td> <td colspan="2">CUSTOMER:</td> <td colspan="2"></td> </tr> <tr> <td>NEXT ASSY:</td> <td colspan="2">THIS DRAWING IS SUPPLIED FOR INFORMATION ONLY. DESIGN FEATURES, SPECIFICATIONS AND PERFORMANCE DATA SHOWN HEREON ARE THE PROPERTY OF THE AMPHENOL CORPORATION. NO RIGHTS OF REPRODUCTION ARE IMPLIED. ALL DIMENSIONS ARE SUBJECT TO NORMAL MANUFACTURING VARIATIONS.</td> <td>SCALE: NONE</td> <td>REVISION: A1</td> </tr> </tbody> </table>					QUANTITY	MATERIALS LIST				UNLESS OTHERWISE SPECIFIED 1) All dimensions are in metric (mm). 2) Tolerances are as follows: 1 PL DEC ±0.30 2 PL DEC ±0.15 3 PL DEC ±0.08 3) Note reference =	SIGNATURES		DATE		DRAWN: Regan	Dec.15.2016		<h1>Amphenol</h1> <p>Sine Systems - www.amphenol-sine.com 44724 Morley Drive Clinton Township, MI 48036</p>	CHECKED:			ENGINEER:			MATERIAL SPECIFICATIONS:	APPROVAL:				PROCESS SPECIFICATIONS:	CUSTOMER:				NEXT ASSY:	THIS DRAWING IS SUPPLIED FOR INFORMATION ONLY. DESIGN FEATURES, SPECIFICATIONS AND PERFORMANCE DATA SHOWN HEREON ARE THE PROPERTY OF THE AMPHENOL CORPORATION. NO RIGHTS OF REPRODUCTION ARE IMPLIED. ALL DIMENSIONS ARE SUBJECT TO NORMAL MANUFACTURING VARIATIONS.		SCALE: NONE	REVISION: A1
QUANTITY	MATERIALS LIST																																						
UNLESS OTHERWISE SPECIFIED 1) All dimensions are in metric (mm). 2) Tolerances are as follows: 1 PL DEC ±0.30 2 PL DEC ±0.15 3 PL DEC ±0.08 3) Note reference =	SIGNATURES		DATE																																				
	DRAWN: Regan	Dec.15.2016		<h1>Amphenol</h1> <p>Sine Systems - www.amphenol-sine.com 44724 Morley Drive Clinton Township, MI 48036</p>																																			
	CHECKED:																																						
ENGINEER:																																							
MATERIAL SPECIFICATIONS:	APPROVAL:																																						
PROCESS SPECIFICATIONS:	CUSTOMER:																																						
NEXT ASSY:	THIS DRAWING IS SUPPLIED FOR INFORMATION ONLY. DESIGN FEATURES, SPECIFICATIONS AND PERFORMANCE DATA SHOWN HEREON ARE THE PROPERTY OF THE AMPHENOL CORPORATION. NO RIGHTS OF REPRODUCTION ARE IMPLIED. ALL DIMENSIONS ARE SUBJECT TO NORMAL MANUFACTURING VARIATIONS.		SCALE: NONE	REVISION: A1																																			
SCALE: NONE		SHEET 1 OF 1																																					