



Chipsmall Limited consists of a professional team with an average of over 10 year of expertise in the distribution of electronic components. Based in Hongkong, we have already established firm and mutual-benefit business relationships with customers from,Europe,America and south Asia,supplying obsolete and hard-to-find components to meet their specific needs.

With the principle of “Quality Parts,Customers Priority,Honest Operation,and Considerate Service”,our business mainly focus on the distribution of electronic components. Line cards we deal with include Microchip,ALPS,ROHM,Xilinx,Pulse,ON,Everlight and Freescale. Main products comprise IC,Modules,Potentiometer,IC Socket,Relay,Connector.Our parts cover such applications as commercial,industrial, and automotives areas.

We are looking forward to setting up business relationship with you and hope to provide you with the best service and solution. Let us make a better world for our industry!



Contact us

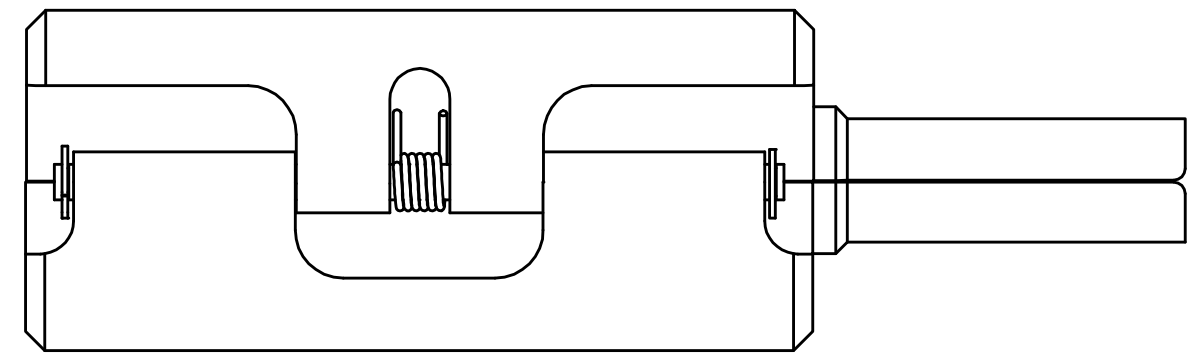
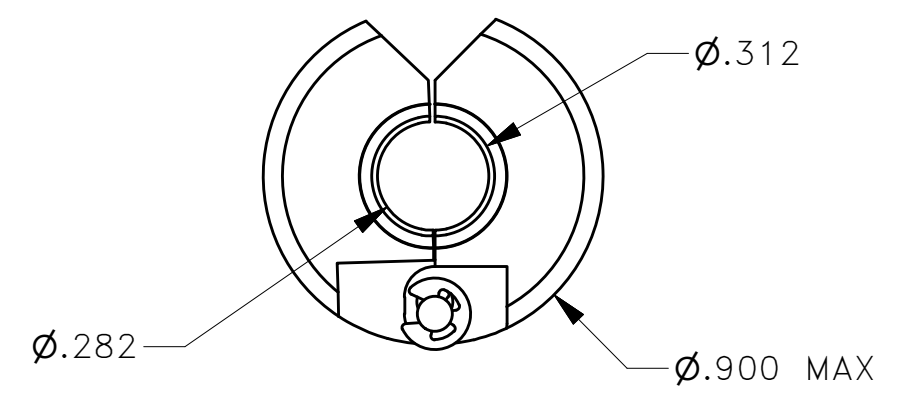
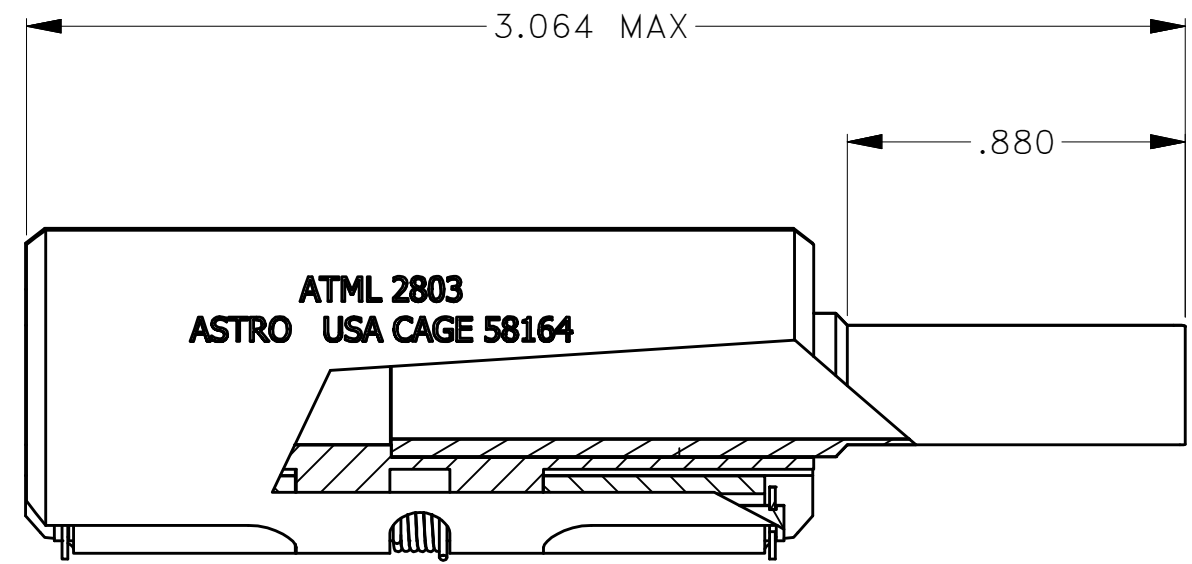
Tel: +86-755-8981 8866 Fax: +86-755-8427 6832

Email & Skype: info@chipsmall.com Web: www.chipsmall.com

Address: A1208, Overseas Decoration Building, #122 Zhenhua RD., Futian, Shenzhen, China



REVISIONS					ATML 2803-ENV	
REV SYM	ECO NUMBER	DESCRIPTION	BY DATE	APP'D DATE		
1	---	INITIAL RELEASE			MK	6/3/15



**UNCONTROLLED DOCUMENT
WILL NOT BE UPDATED**

NOTES:
 1. THIS IS AN ICAD DRAWING. DO NOT CHANGE MANUALLY.
 2. REF: FUNCTIONAL EQUIVALENT TO M0081969/28-03 (NOT QUALIFIED).

THESE DRAWINGS, SPECIFICATIONS OR OTHER DATA ARE THE PROPERTY OF ASTRO TOOL CORP. AND MUST BE RETURNED UPON REQUEST. THEY CONTAIN INFORMATION OWNED AND/OR DEVELOPED BY ASTRO AT ITS OWN PRIVATE EXPENSE AND MAY NOT BE USED, DUPLICATED OR DISCLOSED TO OTHERS, IN WHOLE OR IN PART FOR DESIGN, MANUFACTURE, OR PROCUREMENT WITHOUT THE WRITTEN PERMISSION OF ASTRO TOOL CORP. EACH AND EVERY TIME. CREATED FROM AN INVENTOR MODEL. CHANGES MUST BE REFLECTED IN THE 3D PART DO NOT SCALE DRAWING	MATERIAL	N/A	ITEM	PART NO.	QTY.	DESCRIPTION/REMARKS
	HEAT TREAT	N/A	DRN.	DYO	DATE	6/3/15
	FINISH	N/A	CHK'D.	DYO	DATE	6/3/15
			APP'D.		DATE	
						TOLERANCE: UNLESS OTHERWISE SPECIFIED FRACTIONS $\pm 1/32$ ANGLES $\pm 1'$ DECIMAL INCHES: .X $\pm .030$.XX $\pm .010$.XXX $\pm .005$.XXXX $\pm .0005$ REMOVE BURRS AND BREAK SHARP EDGES .005-.015
			ASTRO TOOL CORP 21615 S.W. THIALATIN VALLEY HWY. BEAVERTON OR 97003		CAGE 58164 ENVELOPE DRAWING: ATML 2803 REF: M0081969/28-03	
			WHERE USED:	SIZE	SCALE	CAD P/N
				B	2:1	ATML 2803_ENV
			POSTING	P/N		SHEET OF
						1 1
						REV.
						A