



Chipsmall Limited consists of a professional team with an average of over 10 year of expertise in the distribution of electronic components. Based in Hongkong, we have already established firm and mutual-benefit business relationships with customers from,Europe,America and south Asia,supplying obsolete and hard-to-find components to meet their specific needs.

With the principle of “Quality Parts,Customers Priority,Honest Operation,and Considerate Service”,our business mainly focus on the distribution of electronic components. Line cards we deal with include Microchip,ALPS,ROHM,Xilinx,Pulse,ON,Everlight and Freescale. Main products comprise IC,Modules,Potentiometer,IC Socket,Relay,Connector.Our parts cover such applications as commercial,industrial, and automotives areas.

We are looking forward to setting up business relationship with you and hope to provide you with the best service and solution. Let us make a better world for our industry!



Contact us

Tel: +86-755-8981 8866 Fax: +86-755-8427 6832

Email & Skype: info@chipsmall.com Web: www.chipsmall.com

Address: A1208, Overseas Decoration Building, #122 Zhenhua RD., Futian, Shenzhen, China



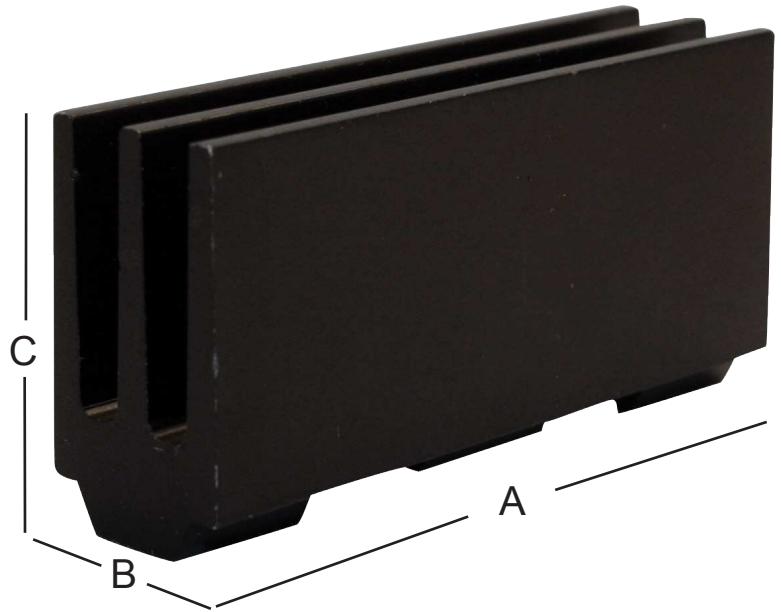


Texas Instruments Heat Sink

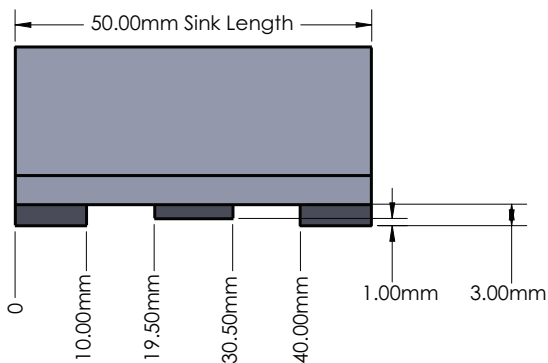
ATS PART # ATS-TI10P-521-C1-R1

Features & Benefits

- » Optimized for natural convection air cooling
- » Black anodized for maximum heat dissipation
- » Designed specifically for TI's Audio Evaluation Module # TPA3130D2EVM



**Image above is for illustration purposes only.*



Thermal Performance

AIR VELOCITY		THERMAL RESISTANCE	
FT/MIN	M/S	°C/W (UNDUCTED FLOW)	°C/W (DUCTED FLOW)
200	1.0	8.5	4.7
300	1.5	6.8	n/a
400	2.0	5.9	n/a
500	2.5	5.3	n/a
600	3.0	4.9	n/a
700	3.5	4.5	n/a
800	4.0	4.3	n/a

Product Details

DIMENSION A	DIMENSION B	DIMENSION C	INTERFACE MATERIAL	FINISH
50 mm	13.9 mm	25 mm	N/A	BLACK ANODIZED

NOTES:

- 1) Dimension C = heat sink height from bottom of the base to the top of the fin field.
- 2) Delivery 4-8 weeks
- 3) Material AL-6063



ATS ADVANCED THERMAL SOLUTIONS, INC.
Innovations in Thermal Management®

For more information, to find a distributor or to place an order, visit www.qats.com or call: **781.769.2800**.