



Chipsmall Limited consists of a professional team with an average of over 10 year of expertise in the distribution of electronic components. Based in Hongkong, we have already established firm and mutual-benefit business relationships with customers from,Europe,America and south Asia,supplying obsolete and hard-to-find components to meet their specific needs.

With the principle of “Quality Parts,Customers Priority,Honest Operation,and Considerate Service”,our business mainly focus on the distribution of electronic components. Line cards we deal with include Microchip,ALPS,ROHM,Xilinx,Pulse,ON,Everlight and Freescale. Main products comprise IC,Modules,Potentiometer,IC Socket,Relay,Connector.Our parts cover such applications as commercial,industrial, and automotives areas.

We are looking forward to setting up business relationship with you and hope to provide you with the best service and solution. Let us make a better world for our industry!



Contact us

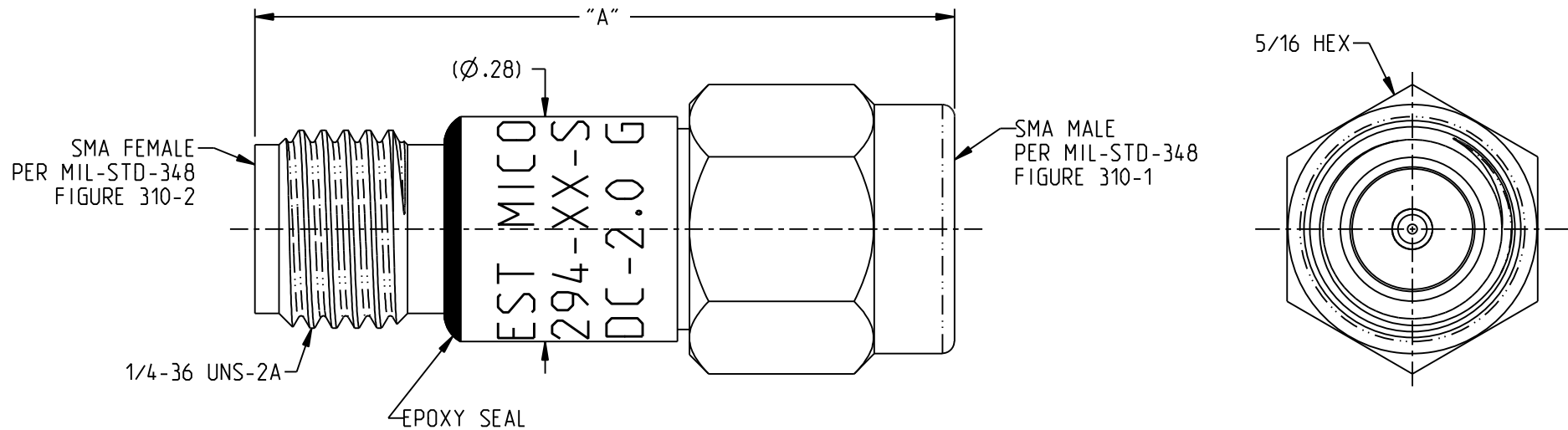
Tel: +86-755-8981 8866 Fax: +86-755-8427 6832

Email & Skype: info@chipsmall.com Web: www.chipsmall.com

Address: A1208, Overseas Decoration Building, #122 Zhenhua RD., Futian, Shenzhen, China



ATTENUATION VALUE	"A"
0 - 12.5	.86
13 - 30	1.02



NOTES: UNLESS OTHERWISE SPECIFIED.

1. MATERIAL & FINISH:

- 1.1 HOUSING & COUPLING NUT: PASSIVATED STAINLESS STEEL
- 1.2 DIELECTRIC: PTFE (TEFLON)
- 1.3 CENTER CONTACT: GOLD PLATED BERYLLIUM COPPER
- 1.4 GASKET: SILICONE RUBBER

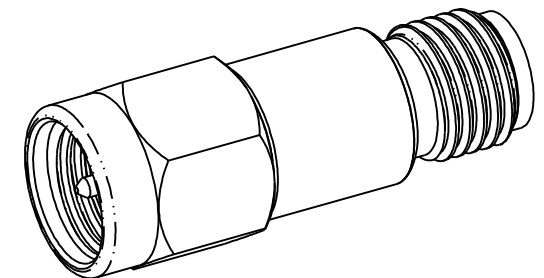
2. SPECIFICATIONS:

- 2.1 FREQUENCY RANGE: DC - 12.4 GHz
- 2.2 ATTENUATION ACCURACY:
 - 2.2.1 0 dB = +0.3/-0 dB
 - 2.2.2 0.5 - 6 dB = ±0.3 dB
 - 2.2.3 6.5 - 20 dB = ±0.5 dB
 - 2.2.4 20.5 - 30 dB = ±1.0 dB
- 2.3 VSWR (MAX): 1.07 + .015f (GHz)
- 2.4 INPUT POWER (MAX):

AVERAGE: 2 WATTS AT 25°C DERATED LINEARLY TO 0.5 WATTS AT 125°C

PEAK: 200 WATTS FOR A DUTY CYCLE OF 5 X 10⁻⁴, MAX PULSE DURATION OF 5 MICROSECONDS.

- 2.5 OPERATING TEMP. RANGE: -65°C TO 125°C



<p>This PROPRIETARY Document is property of Cinch Connectivity Solutions. It is confidential in nature, non-transferable, and issued with the clear understanding that it is no traced or copied without permission and is returnable upon demand.</p> <p>INTERPRET DRAWING IN ACCORDANCE WITH ASME Y14.5-2009.</p>		MIDWEST MICROWAVE		
	RoHS2 <input checked="" type="checkbox"/> 2011/65/EU	Title: ATTENUATOR 0-30 dB		Model No.
	UNLESS OTHERWISE SPECIFIED UNITS: INCH .XX ±.02 .XXX ±.005 ANGLES ±2°	ATT-0294-XX-SMA-02		Date: 2/11/2016
	Size A	DO NOT SCALE DRAWING	Sheet 1 OF 1	