



Chipsmall Limited consists of a professional team with an average of over 10 year of expertise in the distribution of electronic components. Based in Hongkong, we have already established firm and mutual-benefit business relationships with customers from,Europe,America and south Asia,supplying obsolete and hard-to-find components to meet their specific needs.

With the principle of “Quality Parts,Customers Priority,Honest Operation,and Considerate Service”,our business mainly focus on the distribution of electronic components. Line cards we deal with include Microchip,ALPS,ROHM,Xilinx,Pulse,ON,Everlight and Freescale. Main products comprise IC,Modules,Potentiometer,IC Socket,Relay,Connector.Our parts cover such applications as commercial,industrial, and automotives areas.

We are looking forward to setting up business relationship with you and hope to provide you with the best service and solution. Let us make a better world for our industry!



Contact us

Tel: +86-755-8981 8866 Fax: +86-755-8427 6832

Email & Skype: info@chipsmall.com Web: www.chipsmall.com

Address: A1208, Overseas Decoration Building, #122 Zhenhua RD., Futian, Shenzhen, China



NOTES:

1.0 SPECIFICATIONS:

1.1 FREQ. RANGE: DC TO 18.0 GHz

1.2 ATTENUATION ACCURACY:

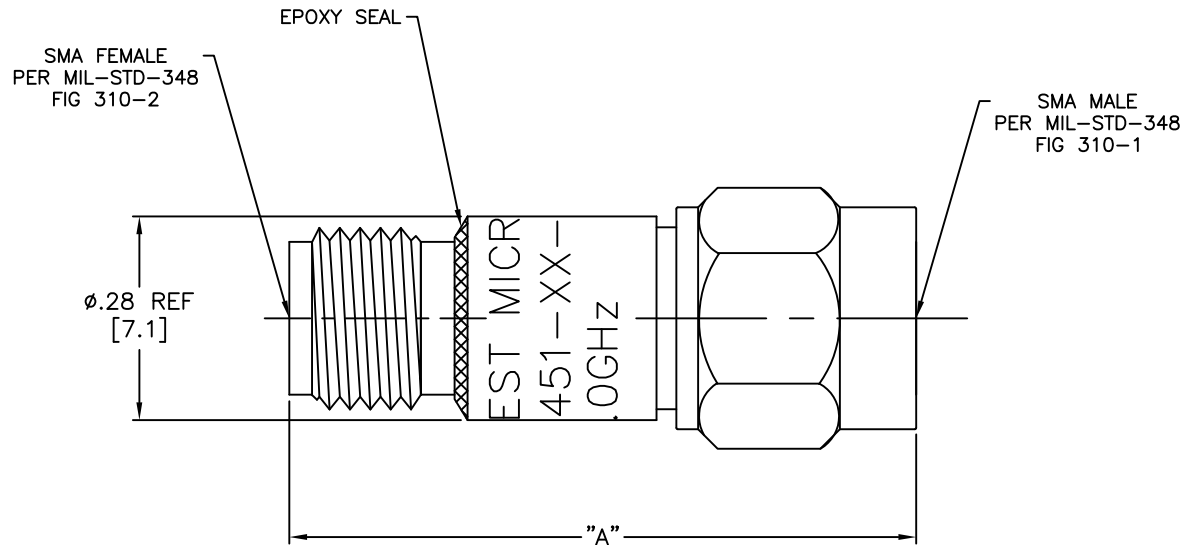
0dB:	+0.3/-0dB	
1-6dB:	±0.3dB	
7-20dB:	±0.5dB	
21-30dB:	±1.0dB	

1.3 MAXIMUM VSWR: 0.5dB ALL OTHER dB VALUES

DC TO 4.0 GHz:	1.12:1	1.12:1
4.0 TO 8.0 GHz:	1.18:1	1.15:1
8.0 TO 18.0 GHz:	1.25:1	1.20:1

1.4 MAXIMUM INPUT POWER: 2 WATTS AVG
AT +25°C DERATED LINEARLY TO
0.5 WATTS AT +125°C

1.5 OPERATING TEMP. RANGE: -65°C TO +125°C



ATTENUATION VALUE	"A"
0 TO 12dB	.86(21.8)
13 TO 30dB	1.02(25.9)

REV.	DESCRIPTION	DATE
-	RELEASED	2/15/93
M	ECR 6933	1/26/90
M1	SHOW CORR. P/N	2/15/90
N	ECN 10832	9/3/91
P	REDRAW ON CAD	2/15/93
R	ECN 19049	2/24/03
S	ECN 19828	5/14/04
S1	ADD 31-40dB IN TABLE	4/2/07
T	ECO 23511	4/26/11

<p>NOTICE: The information contained in this drawing is proprietary and must not be used without the permission of Emerson Network Power.</p> <p>UNLESS OTHERWISE NOTED DIMENSIONS ARE IN INCHES AND TOLERANCES ARE: 3 PLACE DECIMALS ±.005 2 PLACE DECIMALS ±.02 FRACTIONS ±1/64 PARALLELITY: T.I.R. FLATNESS: T.I.R. CONCENTRICITY: T.I.R. ANGLES AND PERPENDICULARITY: ±1°</p>	<p>CAGE CODE 34078</p>	<p>MIDWEST MICROWAVE</p>		
	<p>EMERSON Network Power Connectivity Solutions</p>		<p>TITLE ATTENUATOR 0-30dB OUTLINE DRAWING</p>	
	<p>DESIGNED BY A. BEATTY 2/15/93</p>	<p>DESIGNED BY G. KOZAK 2/18/93</p>	<p>DRAWING NUMBER ATT-0451-XX-SMA-02-01</p>	<p>REV. T</p>
	<p>APPROVED BY M. HOLLMAN 2/17/93</p>	<p>APPROVED BY J. KERKES 8/31/11</p>	<p>SCALE: NTS</p>	<p>SHEET 1 of 1</p>