



Chipsmall Limited consists of a professional team with an average of over 10 year of expertise in the distribution of electronic components. Based in Hongkong, we have already established firm and mutual-benefit business relationships with customers from,Europe,America and south Asia,supplying obsolete and hard-to-find components to meet their specific needs.

With the principle of "Quality Parts,Customers Priority,Honest Operation,and Considerate Service",our business mainly focus on the distribution of electronic components. Line cards we deal with include Microchip,ALPS,ROHM,Xilinx,Pulse,ON,Everlight and Freescale. Main products comprise IC,Modules,Potentiometer,IC Socket,Relay,Connector.Our parts cover such applications as commercial,industrial, and automotives areas.

We are looking forward to setting up business relationship with you and hope to provide you with the best service and solution. Let us make a better world for our industry!



Contact us

Tel: +86-755-8981 8866 Fax: +86-755-8427 6832

Email & Skype: info@chipsmall.com Web: www.chipsmall.com

Address: A1208, Overseas Decoration Building, #122 Zhenhua RD., Futian, Shenzhen, China



NOTES:

- 1.0 MATERIAL & FINISH:
 - 1.1 HOUSING & COUPLING NUT: PASSIVATED STAINLESS STEEL
 - 1.2 DIELECTRIC: PTFE (TEFLON)
 - 1.3 CENTER CONTACT: GOLD PLATED BERYLLIUM COPPER
 - 1.4 GASKET: SILICONE RUBBER

2.0 SPECIFICATIONS:

- 2.1 FREQUENCY RANGE: DC TO 18.0 GHz
- 2.2 ATTENUATION ACCURACY:

0dB:	+0.3/-0dB
1 - 6dB:	±0.30dB
6.5 - 20dB:	±0.5dB
20.5 - 30dB:	±1.0dB

2.3 MAXIMUM VSWR: 1.07 + 0.015f (GHz)

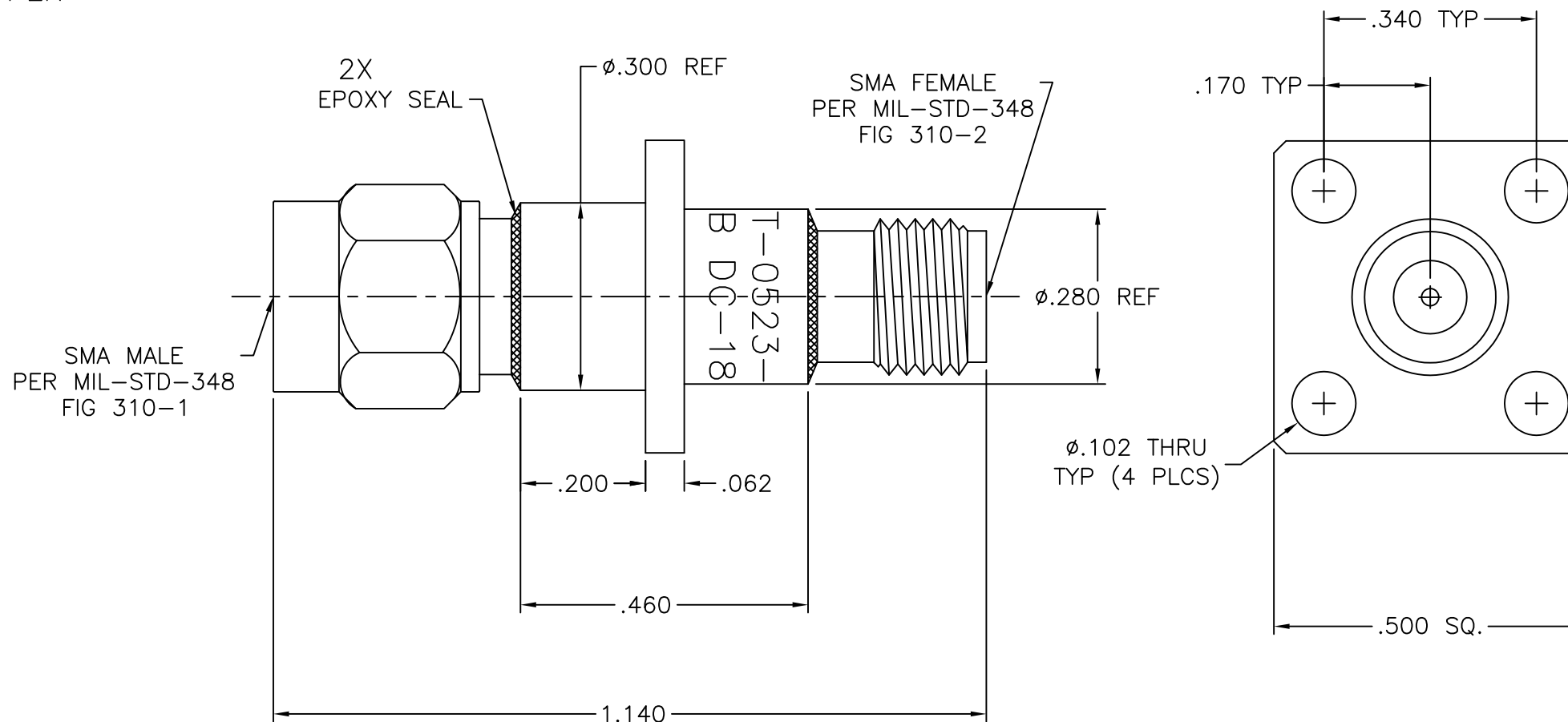
2.4 MAXIMUM INPUT POWER:

2.4.1 AVERAGE: 2 WATTS AT +25°C DERATED LINEARLY TO 0.5 WATTS AT +125°C

2.4.2 PEAK: 200 WATTS FOR A DUTY CYCLE OF 5×10^{-4} , MAX PULSE DURATION OF 5 MICROSECONDS.

2.5 OPERATING TEMP. RANGE: -65°C TO +125°C

2.6 IMPEDANCE: 50 OHMS NOMINAL




REV.	DESCRIPTION	DATE
I	RELEASED	5/10/82
A	ECR 1616	8/2/82
B	ECR 3603	5/22/85
C	ECR 6545 (RENUMBER)	7/20/89
D	ECN 10779	7/19/91
E	ECN 11260	11/26/91
F	ECN 12565	4/14/93
G	ECN 13324	2/10/94
G1	ADDED TITLEBLOCK	4/7/05
H	ECO 24021	1/03/12
J	ECO 25205	3/10/15



NOTICE: The information contained in this drawing is proprietary and must not be used without the permission of Emerson Network Power.

UNLESS OTHERWISE NOTED DIMENSIONS ARE IN INCHES AND TOLERANCES ARE:
 3 PLACE DECIMALS ±.005
 2 PLACE DECIMALS ±.02
 FRACTIONS ±1/64
 PARALLELITY: T.I.R. _____
 FLATNESS: T.I.R. _____
 CONCENTRICITY: T.I.R. _____
 ANGLES AND PERPENDICULARITY: ±1°

CAGE CODE 34078		MIDWEST MICROWAVE	
		TITLE ATTENUATOR, FLANGE MOUNT 0 - 30dB	
DRAWN/DATE A.BEATTY 7/19/91	ENG./DATE G.KOZAK 7/19/91	DRAWING NUMBER ATT-0523-XX-SMA-02-01	REV. J
CHECKED/DATE C.RICKARD 7/19/91	APPROVED/DATE J. KEREKES 3/10/15	SCALE: 4.5=1	SHEET 1 of 1