



Chipsmall Limited consists of a professional team with an average of over 10 year of expertise in the distribution of electronic components. Based in Hongkong, we have already established firm and mutual-benefit business relationships with customers from,Europe,America and south Asia,supplying obsolete and hard-to-find components to meet their specific needs.

With the principle of “Quality Parts,Customers Priority,Honest Operation,and Considerate Service”,our business mainly focus on the distribution of electronic components. Line cards we deal with include Microchip,ALPS,ROHM,Xilinx,Pulse,ON,Everlight and Freescale. Main products comprise IC,Modules,Potentiometer,IC Socket,Relay,Connector.Our parts cover such applications as commercial,industrial, and automotives areas.

We are looking forward to setting up business relationship with you and hope to provide you with the best service and solution. Let us make a better world for our industry!



Contact us

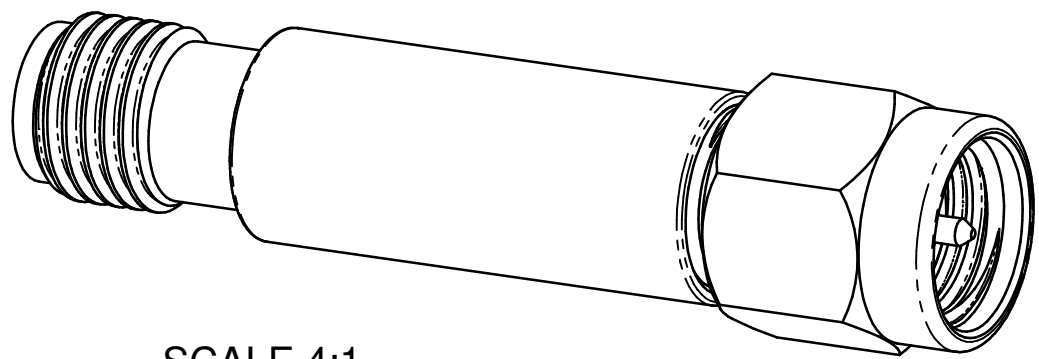
Tel: +86-755-8981 8866 Fax: +86-755-8427 6832

Email & Skype: info@chipsmall.com Web: www.chipsmall.com

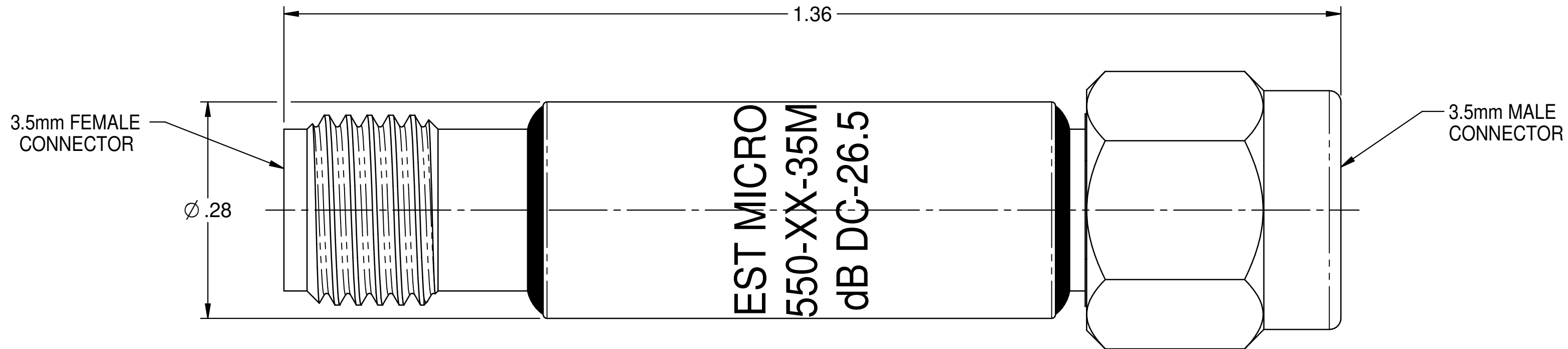
Address: A1208, Overseas Decoration Building, #122 Zhenhua RD., Futian, Shenzhen, China



ZONE	REV	ECO	DESCRIPTION	APPR.	DATE
	L	15336			6/21/96
	M	18722			9/9/02
	N	24371		JRK	7/30/12



SCALE 4:1



NOTES: UNLESS OTHERWISE SPECIFIED.

1. SPECIFICATIONS:
 - 1.1 FREQUENCY RANGE: DC TO 26.5 GHz
 - 1.2 ATTEMUATION ACCURACY:
 - 0dB +0.5dB
 - 1-6dB ±0.5dB
 - 7-20dB ±0.7dB
 - 21-30dB ±1.5dB
 - 1.3 MAXIMUM VSWR: 1.07+0.015 f (GHz)
 - 1.4 MAXIMUM INPUT POWER: 2 WATTS AVG. AT +25°C
DERATED LINEARLY TO 0.5 WATTS AT +125°C
 - 1.5 OPERATING TEMP. RANGE: -65°C TO +125°C

2. MARKING: MARK UNIT AS SHOWN.

OUTLINE DRAWING

<p>This PROPRIETARY Document is property of Emerson Network Power Connectivity Solutions. It is confidential in nature, non-transferable, and issued with the clear understanding that it is not traced or copied without permission and is returnable upon demand.</p>	Model No. ATT-0550-XX-35M-02		MIDWEST MICROWAVE			
	RoHS <input checked="" type="checkbox"/> 2002/95/EC	Cage Code 34078	Title ATTENUATOR 3.5mm, 0-30dB		Material	
	UNLESS OTHERWISE SPECIFIED UNITS: INCHES .XX ±.01 .XXX ±.003 .XXXX ±.0010 ANGLES ±1°00'		3RD ANGLE PROJECTION 	Drawing No. ATT-0550-XX-35M-02-01	Rev. N	Finish
	Drawn by SO	Date 10/19/07	Approved by GK	Date 10/19/07	Size C	DO NOT SCALE DRAWING
				Scale 8:1	Sheet 1 of 1	