



Chipsmall Limited consists of a professional team with an average of over 10 year of expertise in the distribution of electronic components. Based in Hongkong, we have already established firm and mutual-benefit business relationships with customers from,Europe,America and south Asia,supplying obsolete and hard-to-find components to meet their specific needs.

With the principle of “Quality Parts,Customers Priority,Honest Operation,and Considerate Service”,our business mainly focus on the distribution of electronic components. Line cards we deal with include Microchip,ALPS,ROHM,Xilinx,Pulse,ON,Everlight and Freescale. Main products comprise IC,Modules,Potentiometer,IC Socket,Relay,Connector.Our parts cover such applications as commercial,industrial, and automotives areas.

We are looking forward to setting up business relationship with you and hope to provide you with the best service and solution. Let us make a better world for our industry!



Contact us

Tel: +86-755-8981 8866 Fax: +86-755-8427 6832

Email & Skype: info@chipsmall.com Web: www.chipsmall.com

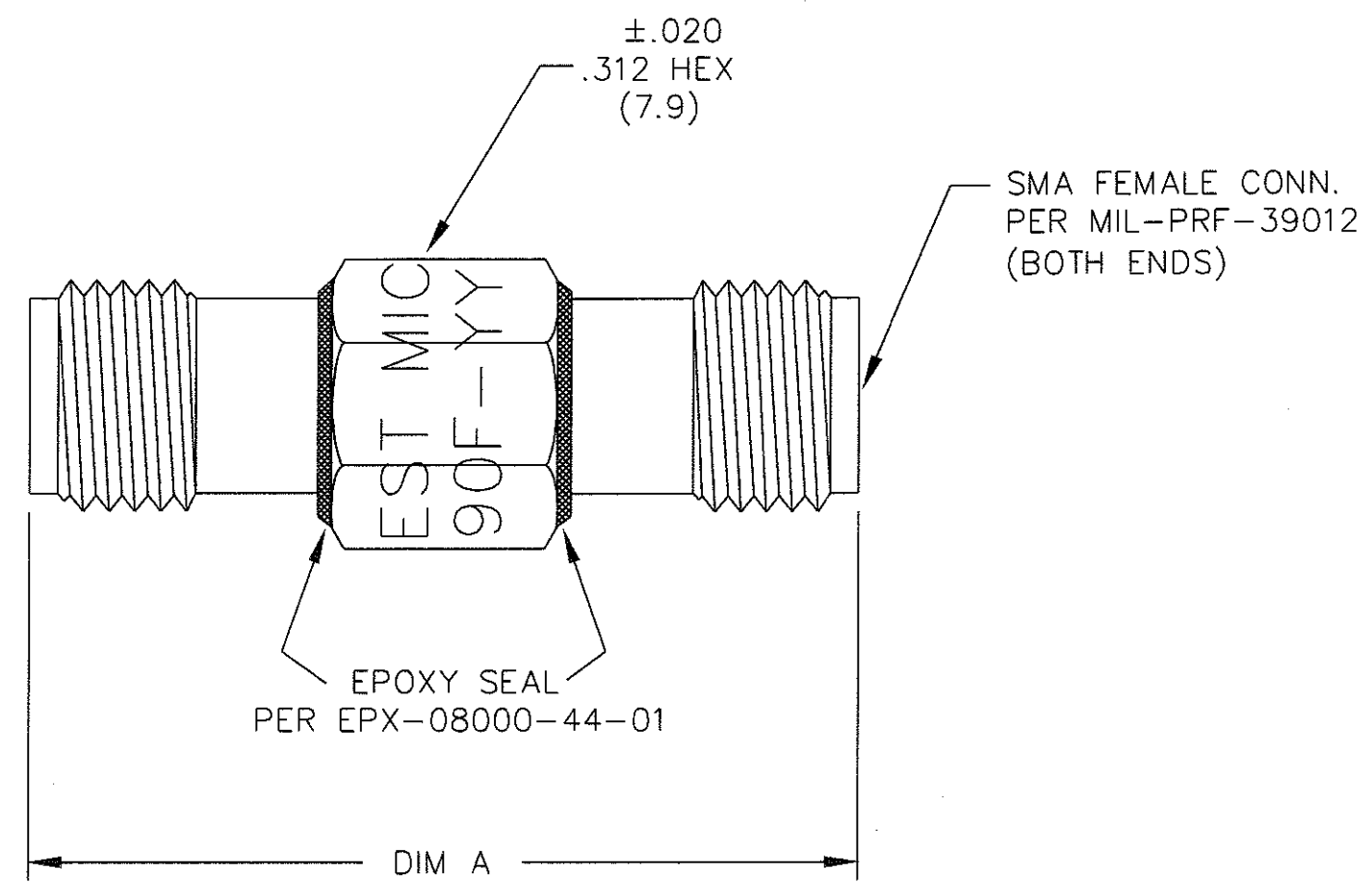
Address: A1208, Overseas Decoration Building, #122 Zhenhua RD., Futian, Shenzhen, China



NOTES:

- 1.0 SPECIFICATIONS:
- 1.1 FREQ. RANGE: DC to 18.0 GHz
 - 1.2 ATTENUATION ACCURACY:

0dB	+ .3/-0dB
1 to 6dB	±0.3dB
7 to 20dB	±0.5dB
21 to 30dB	±1.0dB
 - 1.3 MAXIMUM VSWR: 1.07+0.015f(GHz)
 - 1.4 MAXIMUM INPUT POWER:
 - 2 WATTS AVG AT +25°C DERATED LINEARLY TO 0.5 WATTS AT +125°C.
 - 1.5 OPERATING TEMP. RANGE: -65°C to +125°C
- 2.0 MARKING
- 2.1 MARK UNIT AS SHOWN (REF.: INK-06469-27-XX)
- 3.0 DIMENSIONS IN PARENTHESIS ARE IN MILLIMETERS.



13 - 30dB	1.03(26.2)
0 - 12dB	.90(22.9)
ATTENUATION VALUE	DIM A

WAS DWG. NO.: 04242-01-00

REV.	DESCRIPTION	DATE
I	RELEASED	6/21/82
A	ECR 6545	7/10/89
B	ECR 6933	11/6/90
B1	UPDATE MODEL #	2/5/91
C	ECN 14889/ON CAD	12/6/95
D	ECN 15030	1/25/96
E	ECN 16216	9/15/97
E1	ADDED TITLEBLOCK	3/22/05

UNLESS OTHERWISE NOTED DIMENSIONS ARE IN INCHES AND TOLERANCES ARE:		FSCM NO. 34078		MIDWEST MICROWAVE	
		NOTICE: The information contained in this drawing is proprietary and must not be used without the permission of Midwest Microwave			
3 PLACE DECIMALS ±.005 2 PLACE DECIMALS ±.02 FRACTIONS ±1/64 PARALLELITY: T.I.R. _____ FLATNESS: T.I.R. _____ CONCENTRICITY: T.I.R. _____ ANGLES AND PERPENDICULARITY: ±1'		DRAWN/DATE M.STAFFORD 12/6/95		ENG./DATE G.KOZAK 12/14/95	
		CHECKED/DATE A.BEATTY 12/13/95		APPROVED/DATE	
				TITLE ATTENUATOR	
				DRAWING NUMBER ATT-290F-XX-HEX-02	
				SCALE: 5=1	
				SHEET 1 of 1	