



Chipsmall Limited consists of a professional team with an average of over 10 year of expertise in the distribution of electronic components. Based in Hongkong, we have already established firm and mutual-benefit business relationships with customers from,Europe,America and south Asia,supplying obsolete and hard-to-find components to meet their specific needs.

With the principle of "Quality Parts,Customers Priority,Honest Operation,and Considerate Service",our business mainly focus on the distribution of electronic components. Line cards we deal with include Microchip,ALPS,ROHM,Xilinx,Pulse,ON,Everlight and Freescale. Main products comprise IC,Modules,Potentiometer,IC Socket,Relay,Connector.Our parts cover such applications as commercial,industrial, and automotives areas.

We are looking forward to setting up business relationship with you and hope to provide you with the best service and solution. Let us make a better world for our industry!



## Contact us

Tel: +86-755-8981 8866 Fax: +86-755-8427 6832

Email & Skype: info@chipsmall.com Web: www.chipsmall.com

Address: A1208, Overseas Decoration Building, #122 Zhenhua RD., Futian, Shenzhen, China



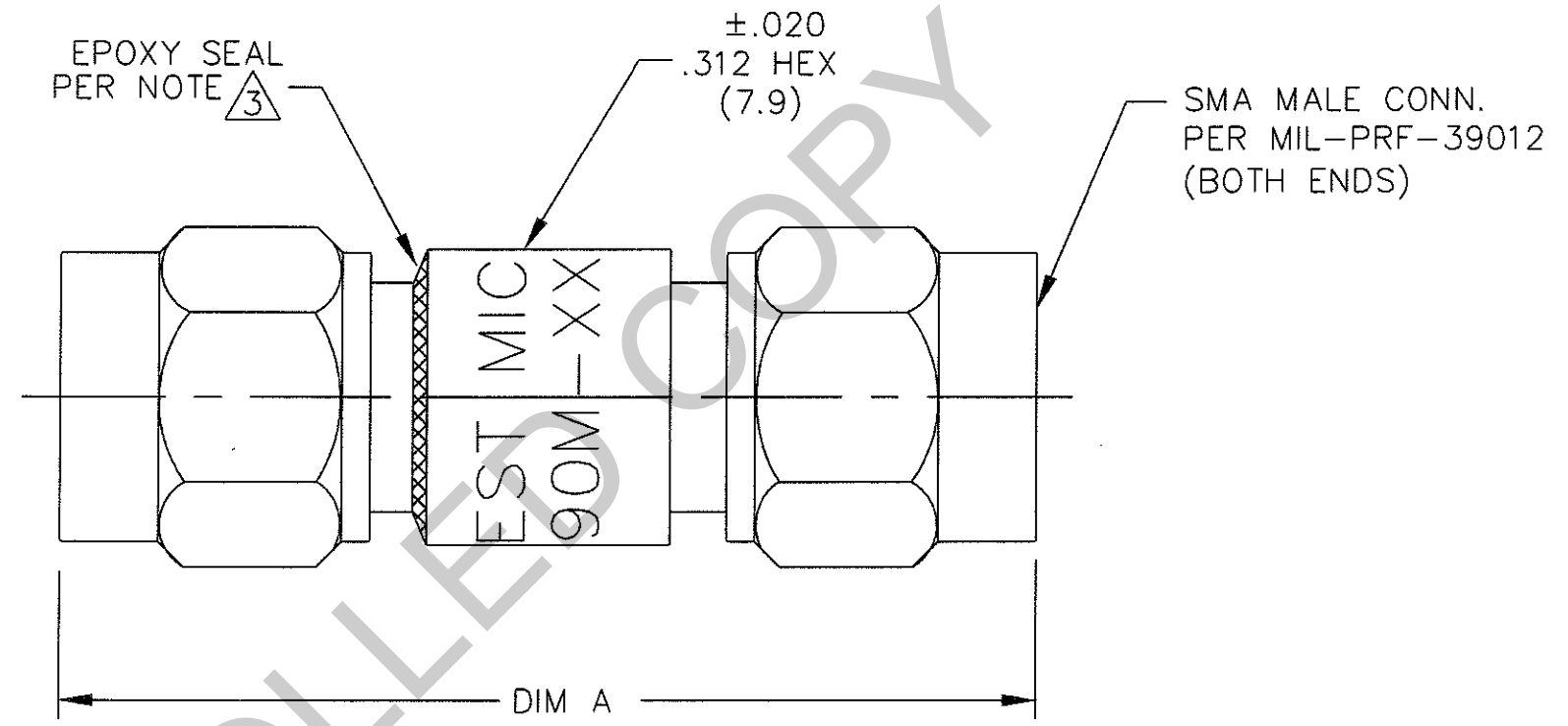
NOTES:

- 1.0 SPECIFICATIONS:  
 1.1 FREQ. RANGE: DC to 18.0 GHz  
 1.2 ATTENUATION ACCURACY:  
     0dB +0.3dB  
     0.5 to 6dB ±0.3dB  
     7 to 20dB ±0.5dB  
     21 to 30dB ±1.0dB  
 1.3 MAXIMUM VSWR: 1.07+0.015f(GHz)  
 1.4 MAXIMUM INPUT POWER:  
     2 WATTS AVG AT +25°C DERATED LINEARLY  
     TO 0.5 WATTS AT +125°C.  
 1.5 OPERATING TEMP. RANGE: -65°C to +125°C

- 2.0 MARKING  
 2.1 MARK UNIT AS SHOWN  
 (REF.: INK-06468-27-XX)

△ EPOXY SEAL AS SHOWN PER  
 EPX-08000-44-01

4.0 DIMENSIONS IN PARENTHESIS ARE  
 IN MILLIMETERS.



13 - 30dB	1.12(28.4)
0 - 12dB	.98(24.9)
ATTENUATION VALUE	DIM A

REV.	DESCRIPTION	DATE
I	RELEASED	6/21/82
A	ECR 4877	10/3/86
B	ECR 5199	3/12/87
C	ECR 5978	4/28/88
D	ECR 6545	7/10/89
E	ECR 6933	3/30/90
E1	UPDATE MOD. NO.	2/5/91
F	REDRAW ON CAD	5/6/93
G	ECN 12652	5/26/93
G1	ADDED TITLEBLOCK	3/22/05

UNCONTROLLED COPY

DWG NO. WAS: 04241-01-00

UNLESS OTHERWISE NOTED DIMENSIONS ARE IN INCHES AND TOLERANCES ARE: 3 PLACE DECIMALS ±.005 2 PLACE DECIMALS ±.02 FRACTIONS ±1/64 PARALLELITY: T.I.R. _____ FLATNESS: T.I.R. _____ CONCENTRICITY: T.I.R. _____ ANGLES AND PERPENDICULARITY: ±1'		FSCM NO. <b>34078</b>	<b>MIDWEST MICROWAVE</b>
		TITLE <b>ATTENUATOR</b>	
DRAWN/DATE A.BEATTY 4/8/93 CHECKED/DATE M.HOLLMAN 4/7/93		NOTICE: The information contained in this drawing is proprietary and must not be used without the permission of Midwest Microwave	
		DRAWING NUMBER ATT-290M-XX-HEX-02	
DRAWN/DATE A.BEATTY 4/8/93 CHECKED/DATE M.HOLLMAN 4/7/93		ENG./DATE G.KOZAK 4/12/93 APPROVED/DATE	
		SCALE: 5=1 SHEET 1 of 1	