



Chipsmall Limited consists of a professional team with an average of over 10 year of expertise in the distribution of electronic components. Based in Hongkong, we have already established firm and mutual-benefit business relationships with customers from,Europe,America and south Asia,supplying obsolete and hard-to-find components to meet their specific needs.

With the principle of “Quality Parts,Customers Priority,Honest Operation,and Considerate Service”,our business mainly focus on the distribution of electronic components. Line cards we deal with include Microchip,ALPS,ROHM,Xilinx,Pulse,ON,Everlight and Freescale. Main products comprise IC,Modules,Potentiometer,IC Socket,Relay,Connector.Our parts cover such applications as commercial,industrial, and automotives areas.

We are looking forward to setting up business relationship with you and hope to provide you with the best service and solution. Let us make a better world for our industry!



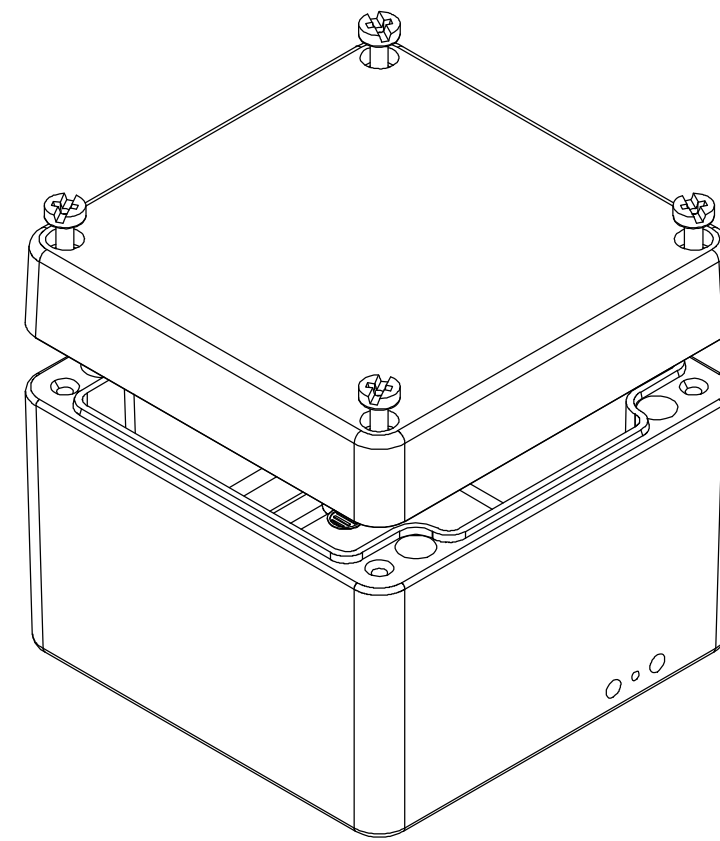
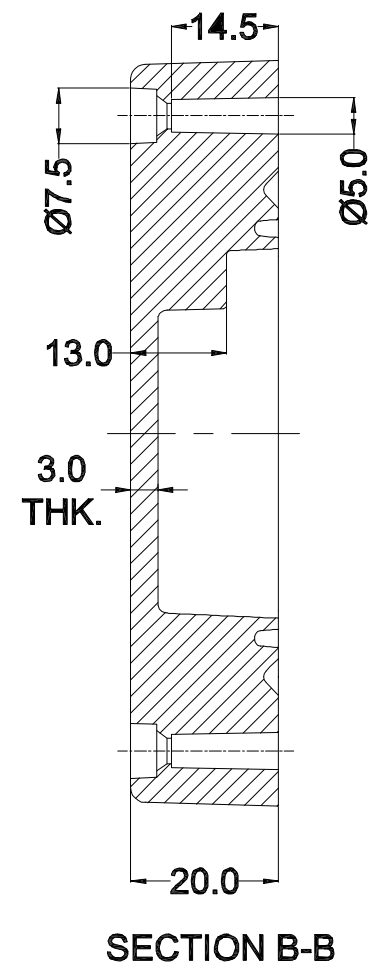
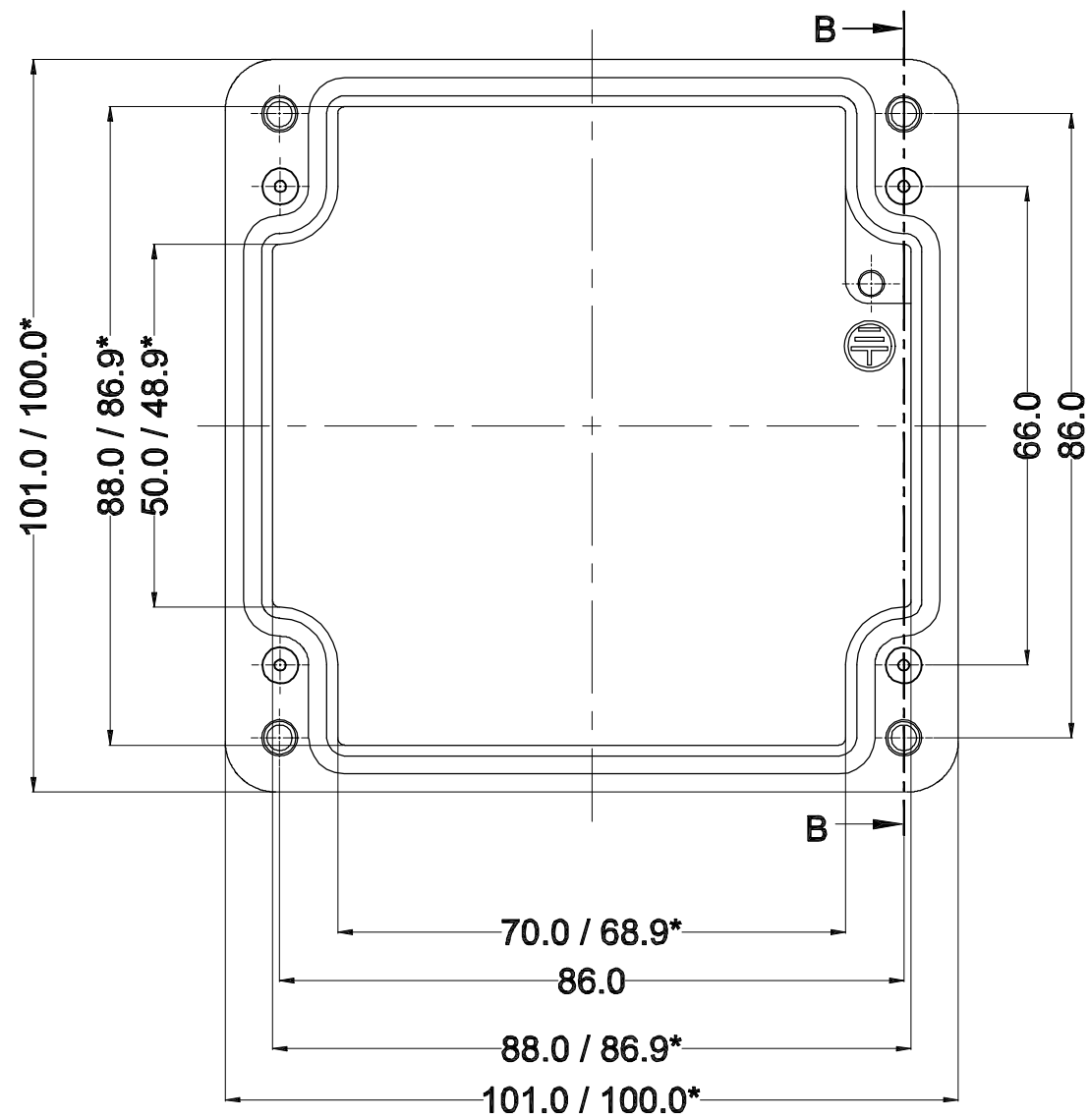
Contact us

Tel: +86-755-8981 8866 Fax: +86-755-8427 6832

Email & Skype: info@chipsmall.com Web: www.chipsmall.com

Address: A1208, Overseas Decoration Building, #122 Zhenhua RD., Futian, Shenzhen, China





GENERAL SPECIFICATION AND AREA CLASSIFICATION:

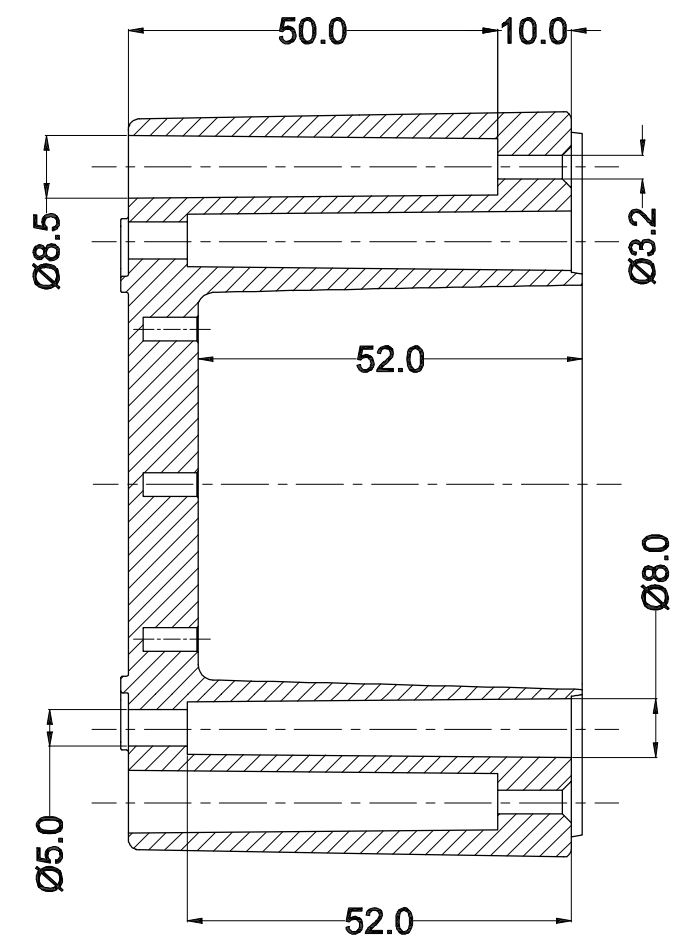
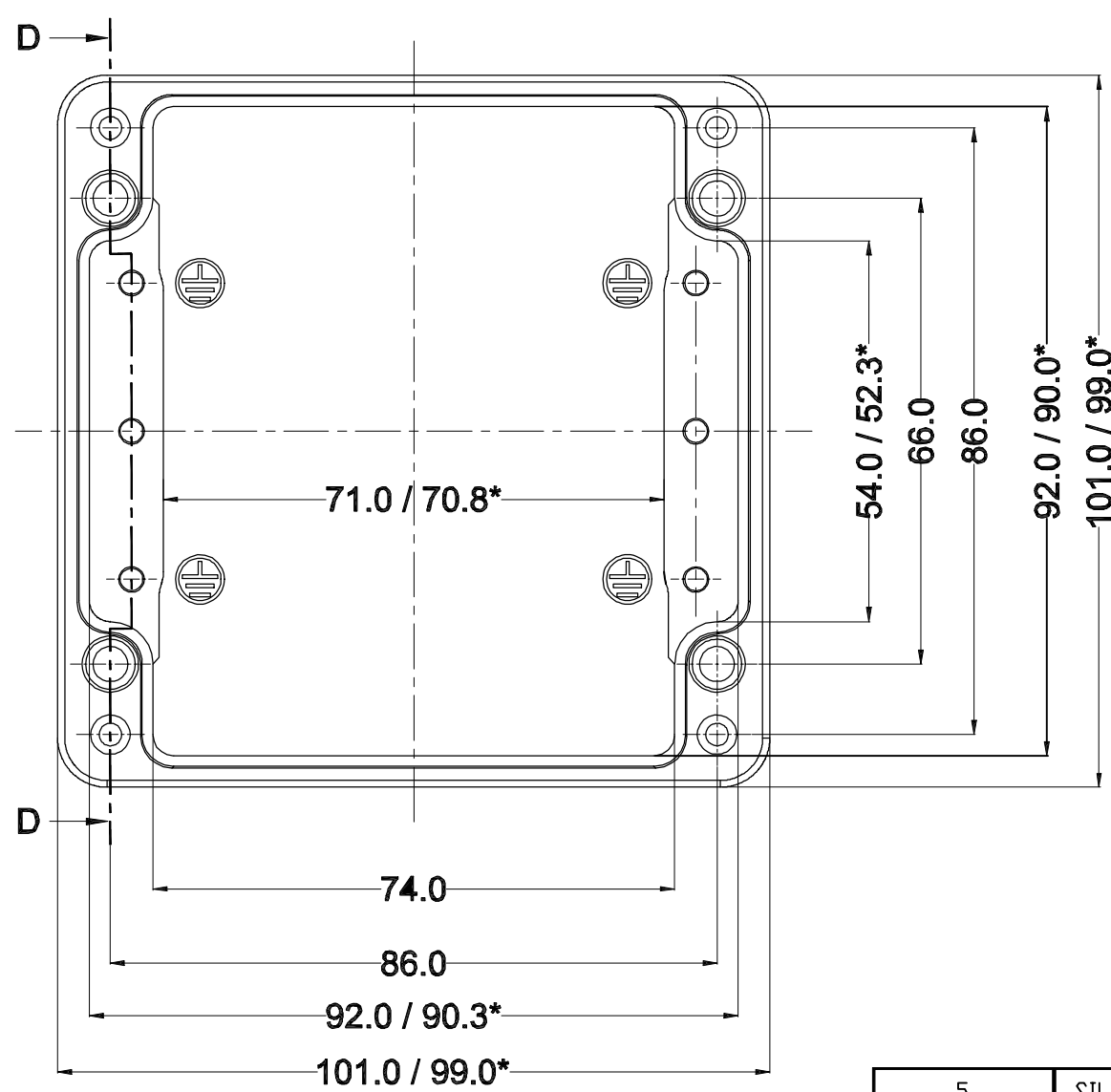
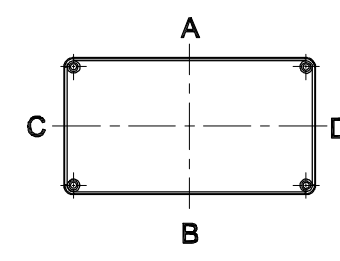
1. STANDARDS - IEC/EN 60079-0, IEC/EN 60079-7 & IEC/En 60079-31.
2. MATERIAL COMPOSITION - AISI 12
3. DEGREE OF PROTECTION IP66 AS PER IEC 60529 : 1989 +A1 : 2000
4. GASKET MANUFACTURER - WACKER CHEMIE AG, MODEL: CENUSIL R 150 AND - CONTINOUS OPERATING TEMPERATURE AS - 70°C TO 200°C
5. MAGNESIUM , TITANIUM AND ZIRCONIUM CONTENTS ARE < 2%.
6. SERVICE TEMPERATURE RANGE : - 50 °C to +135 °C
7. ALL DIMENSIONS ARE IN mm. UNLESS STATED OTHERWISE.
8. SURFACE WILL BE POWDER COATED.
9. THE JUNCTION BOX WILL BE MARKED WITH

II 2 G Ex e IIC Gb
 0539 II 2 D Ex tb IIIC Db IP 66 IP
 DEMKO 13 ATEX 1327771U
 IECEX UL 13.0042U

10. TRADE MARK

11. TIGHTENING TORQUE - (2-3) NM

NOT TO BE REVISED WITHOUT NOTIFICATION TO THE ExCB/NOTIFIED BODY



SECTION D-D

Opening Detail (Size)	NO OF HOLES SIDE A/B	Min. Distance between the opening for Side A/B (mm)	NO OF HOLES SIDE C/D	Min. Distance between the opening for Side C/D (mm)	Opening Detail (Size) PG	NO OF HOLES SIDE A/B	Min. Distance between the opening for Side A/B (mm)	NO OF HOLES SIDE C/D	Min. Distance between the opening for Side C/D (mm)	Min. Distance of last opening from the enclosure end on side A/B (mm)	Min. Distance of last opening from the enclosure end on side C/D (mm)
M12	6	11	4	11	Pg.7	6	11	4	11	15	29
M16	6	11	4	11	Pg.9	6	11	4	11	15	29
M20	5	9	3	9	Pg.11	6	8	4	8	15	26
M25	2	15	1	-	Pg.13.5	5	9	3	9	17	29
M32	1	-	1	-	Pg.16	3	11	2	10	18	30
M40	-	-	-	-	Pg.21	2	11	1	-	16	29
M50	-	-	-	-	Pg.29	1	-	1	-	18	29
M63	-	-	-	-	Pg.36	-	-	-	-	-	-
-	-	-	-	-	Pg.42	-	-	-	-	-	-
-	-	-	-	-	Pg.48	-	-	-	-	-	-
-	-	-	-	-	-	-	-	-	-	-	-

SR.NO.	PART NAME	DRAWING NO.	MATERIAL	QTY
5	SILICON GASKATE	-	SILICON	1
4	LID (CLAMPING) SCREW	-	AISI 304 / AISI 316	4
3	EARTHING SCREW	-	MS/304/316/COPPER	4
2	BASE JUNCTION BOX 100 X 100 X 81	Ex-R-1010081-B	AISI 12	1
1	LID JUNCTION BOX 100 X 100 X 81	Ex-R-1010081-L	AISI 12	1

FINISH:
 GRAY TEXTURE POWDERCOAT RAL 7001
 OPTIONAL ACCESSORIES:
 STEEL MOUNTING PLATE #MPX-503
 ALUMINUM MOUNTING PLATE #MTX-503-A
 EXTERNAL BRACKETS KIT #MTX-4503

DRAWING FOR REFERENCE
 WE RESERVE THE RIGHT TO MAKE CHANGES TO OUR STANDARD PRODUCTS. PLEASE CONSULT WITH BUD INDUSTRIES PRIOR TO USING THIS DRAWING FOR DESIGN PURPOSE.

ALL DIMENSIONS ARE IN MM

	PART NAME	EXPLOSION PROOF ENCLOSURE	PART No.	ATX-10503 (Ex-AJB-10010081)	REV. DATE	10-27-15
--	-----------	---------------------------	----------	-----------------------------	-----------	----------

PROPERTY OF RaychemRPG (P) LTD. ALL RIGHTS RESERVED AND/OR PHOTOCOPYING THIS DOCUMENT TO A PERSON WITHOUT RaychemRPG (P) LTD. WRITTEN AUTHORIZATION IS PROHIBITED

B.D.M.