



Chipsmall Limited consists of a professional team with an average of over 10 year of expertise in the distribution of electronic components. Based in Hongkong, we have already established firm and mutual-benefit business relationships with customers from,Europe,America and south Asia,supplying obsolete and hard-to-find components to meet their specific needs.

With the principle of "Quality Parts,Customers Priority,Honest Operation,and Considerate Service",our business mainly focus on the distribution of electronic components. Line cards we deal with include Microchip,ALPS,ROHM,Xilinx,Pulse,ON,Everlight and Freescale. Main products comprise IC,Modules,Potentiometer,IC Socket,Relay,Connector.Our parts cover such applications as commercial,industrial, and automotives areas.

We are looking forward to setting up business relationship with you and hope to provide you with the best service and solution. Let us make a better world for our industry!



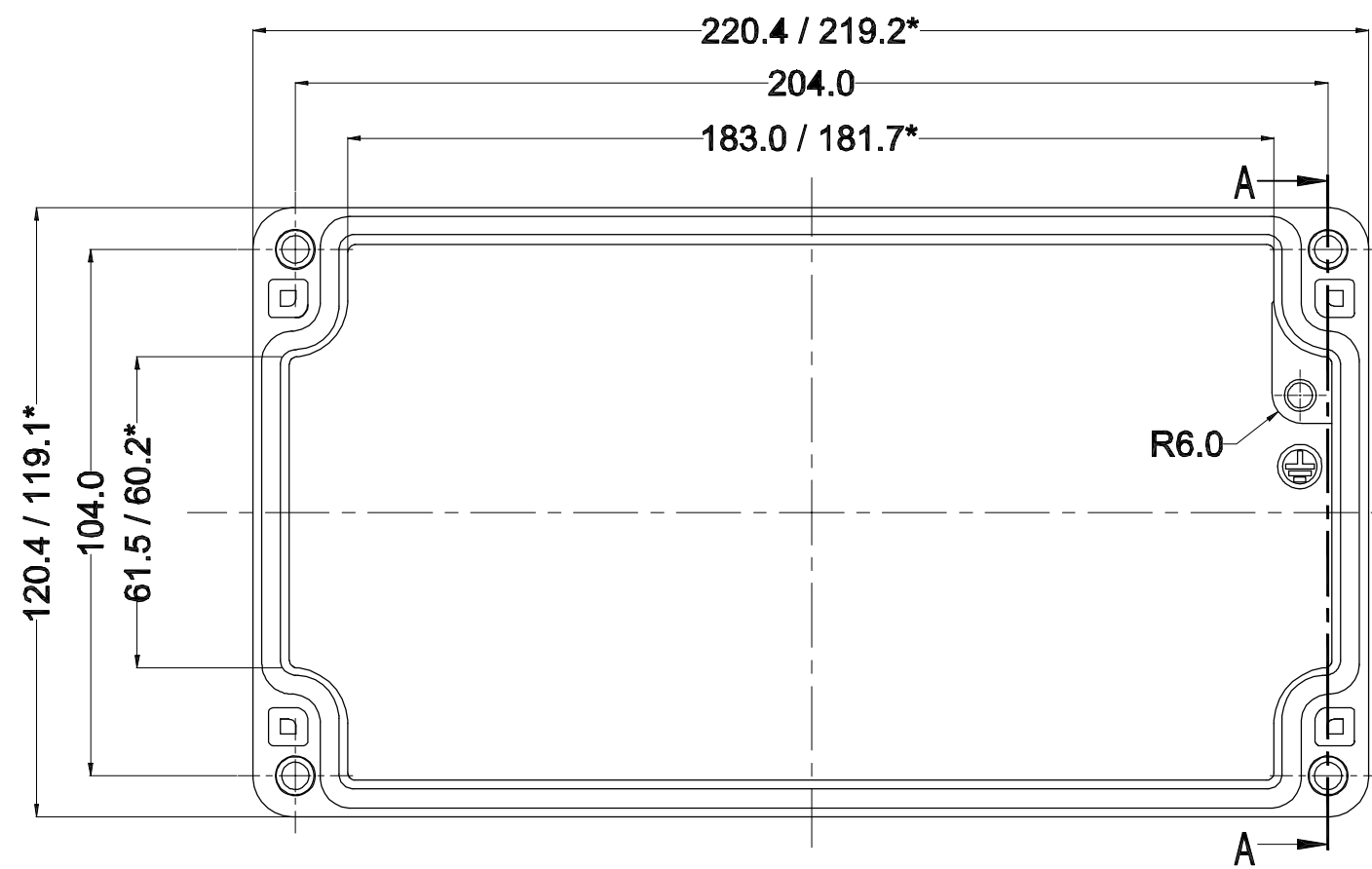
Contact us

Tel: +86-755-8981 8866 Fax: +86-755-8427 6832

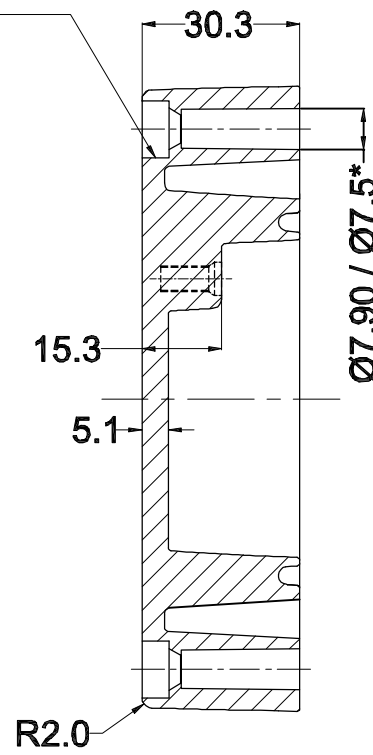
Email & Skype: info@chipsmall.com Web: www.chipsmall.com

Address: A1208, Overseas Decoration Building, #122 Zhenhua RD., Futian, Shenzhen, China

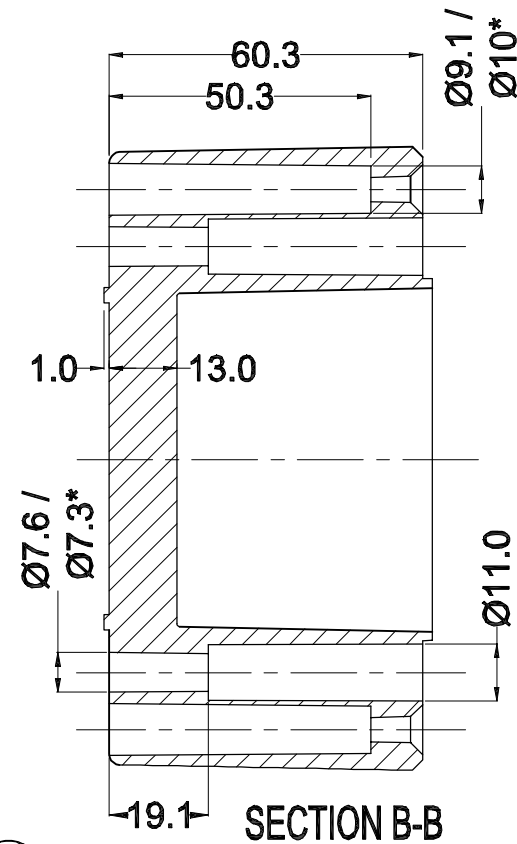
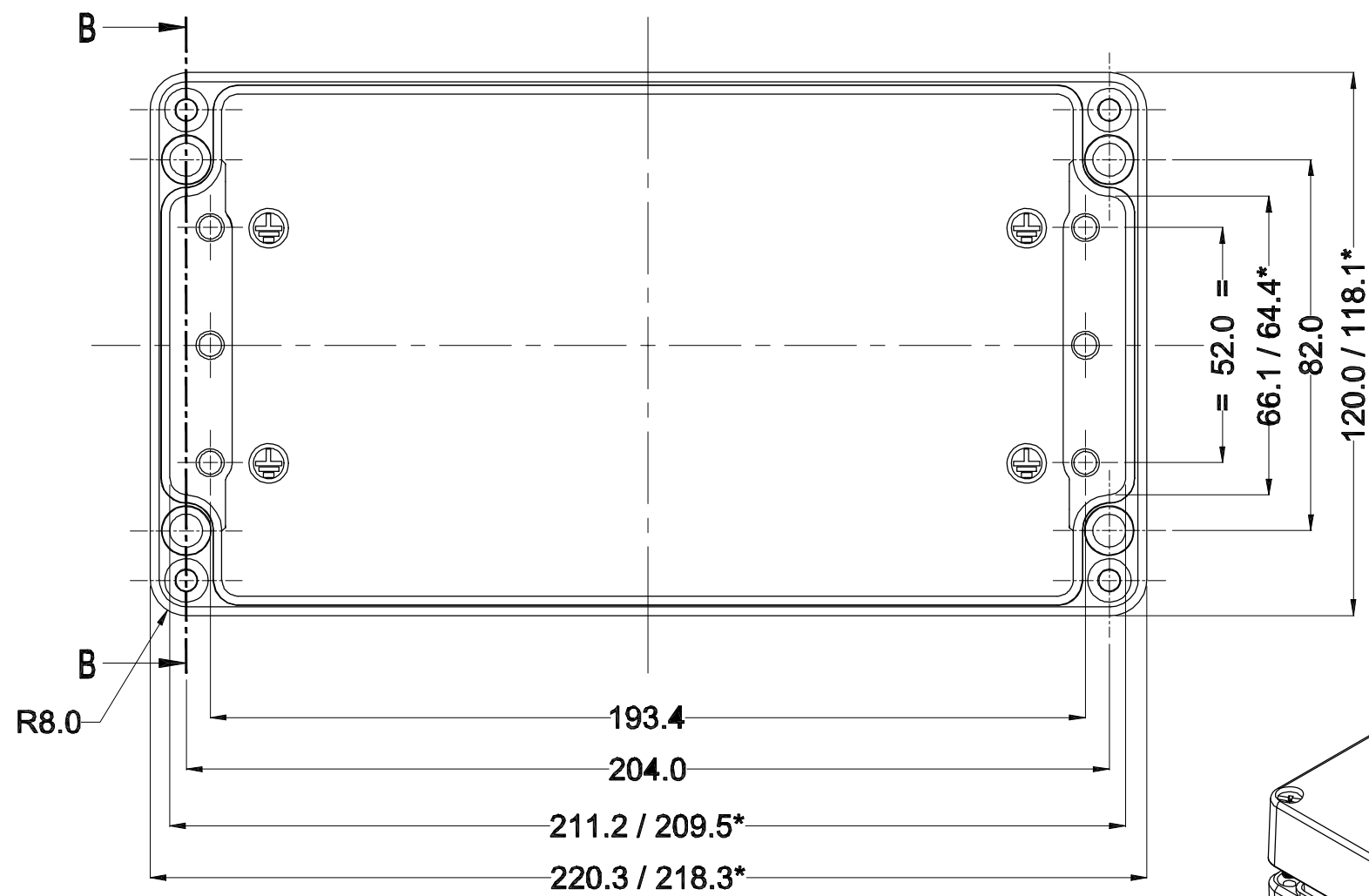




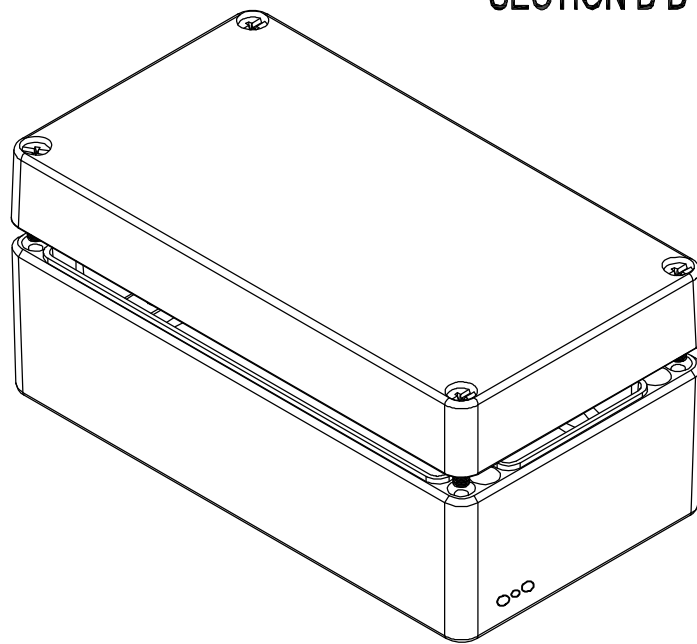
Cylinder Screw
M6 x 35/10 similar to DIN 84



SECTION A-A



SECTION B-B

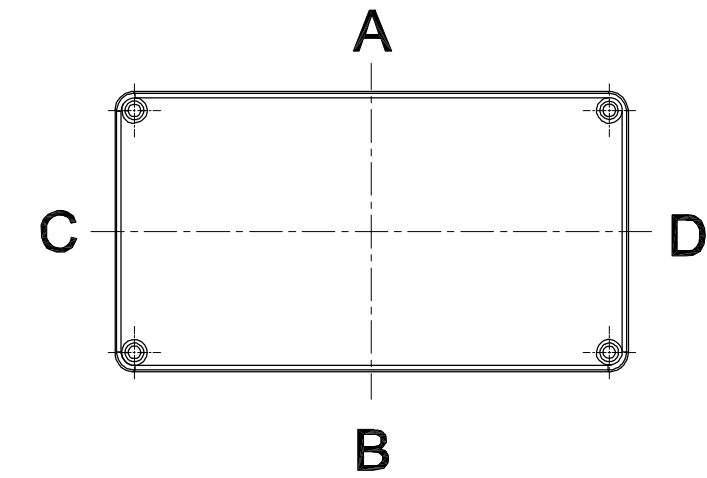


GENERAL SPECIFICATION AND AREA CLASSIFICATION:

1. MATERIAL COMPOSITION - AISI 12
2. DEGREE OF PROTECTION IP66 AS PER IEC 60529 : 1989 +A1 : 2000
3. SERVICE TEMPERATURE RANGE : - 50 °C to +135 °C
4. ALL DIMENSIONS ARE IN mm. UNLESS STATED OTHERWISE.
5. SURFACE WILL BE POWDER COATED.(RAL-7001)
6. THE JUNCTION BOX WILL BE MARKED WITH
7.
 - II 2 G Ex e IIC Gb
 - II 2 D Ex tb IIIC Db IP 66
 - 0539
 - DEMKO 13 ATEX 1327771U
 - IECEX UL 13.0042U

8. TRADE MARK

NOT TO BE REVISED WITHOUT NOTIFICATION TO THE ExCB/NOTIFIED BODY

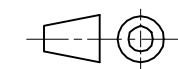


Opening Detail (Size)	NO OF HOLES SIDE A/B	Min. Distance between the opening for Side A/B (mm)	NO OF HOLES SIDE C/D	Min. Distance between the opening for Side C/D (mm)	Opening Detail (Size) PG	NO OF HOLES SIDE A/B	Min. Distance between the opening for Side A/B (mm)	NO OF HOLES SIDE C/D	Min. Distance between the opening for Side C/D (mm)	Min. Distance of last opening from the enclosure end on side A/B (mm)	Min. Distance of last opening from the enclosure end on side C/D (mm)
M12	14	11	5	10	Pg.7	14	11	5	10	20	28
M16	14	11	5	10	Pg.9	14	11	5	10	20	28
M20	12	9	3	9	Pg.11	14	8	4	8	19	30
M25	6	14	2	14	Pg.13.5	12	12	3	9	18	28
M32	4	18	1	-	Pg.16	10	10	2	14	19	30
M40	-	-	-	-	Pg.21	6	10	2	11	17	28
M50	-	-	-	-	Pg.29	4	13	1	-	17	34
M63	-	-	-	-	Pg.36	-	-	-	-	-	-
-	-	-	-	-	Pg.42	-	-	-	-	-	-
-	-	-	-	-	Pg.48	-	-	-	-	-	-

FINISH:
GRAY TEXTURE POWDERCOAT RAL 7001

OPTIONAL ACCESSORIES:
STEEL MOUNTING PLATE #MPX-512
ALUMINUM MOUNTING PLATE #MPX-512-A
EXTERNAL BRACKETS KIT #MTX-6512

DRAWING FOR REFERENCE
WE RESERVE THE RIGHT TO MAKE CHANGES TO OUR
STANDARD PRODUCTS. PLEASE CONSULT WITH BUD INDUSTRIES
PRIOR TO USING THIS DRAWING FOR DESIGN PURPOSE.



ALL DIMENSIONS ARE IN MM

SR.NO.	PART NAME	DRAWING NO.	MATERIAL	QTY
5	SILICON GASKATE	JB-02GSK-12	SILICON	1
4	JB EXTERNAL EARTHING SET	-	AISI 304	1
3	LID MOUNTING SCREW	M6 JB-SCR-LD-00	AISI 304	4
2	JB-EARTHING SCREW	-	MS COPPER PLATED	2
1	JUNCTION BOX Ex-220 x 120 x 91	Ex-22012091	AISI 12	1

B.O.M.

PROPERTY OF RaychemRPG (P) LTD.
ALL RIGHTS RESERVED AND/OR PHOTOCOPYING THIS DOCUMENT
TO A PERSON WITHOUT RaychemRPG (P) LTD. WRITTEN AUTHORIZATION IS PROHIBITED

	PART NAME	EXPLOSION PROOF ENCLOSURE	PART No.	ATX-10512 (EX-AJB-22012091)	REV. DATE	10-27-15
--	-----------	---------------------------	----------	--------------------------------	-----------	----------