



Chipsmall Limited consists of a professional team with an average of over 10 year of expertise in the distribution of electronic components. Based in Hongkong, we have already established firm and mutual-benefit business relationships with customers from,Europe,America and south Asia,supplying obsolete and hard-to-find components to meet their specific needs.

With the principle of “Quality Parts,Customers Priority,Honest Operation,and Considerate Service”,our business mainly focus on the distribution of electronic components. Line cards we deal with include Microchip,ALPS,ROHM,Xilinx,Pulse,ON,Everlight and Freescale. Main products comprise IC,Modules,Potentiometer,IC Socket,Relay,Connector.Our parts cover such applications as commercial,industrial, and automotives areas.

We are looking forward to setting up business relationship with you and hope to provide you with the best service and solution. Let us make a better world for our industry!



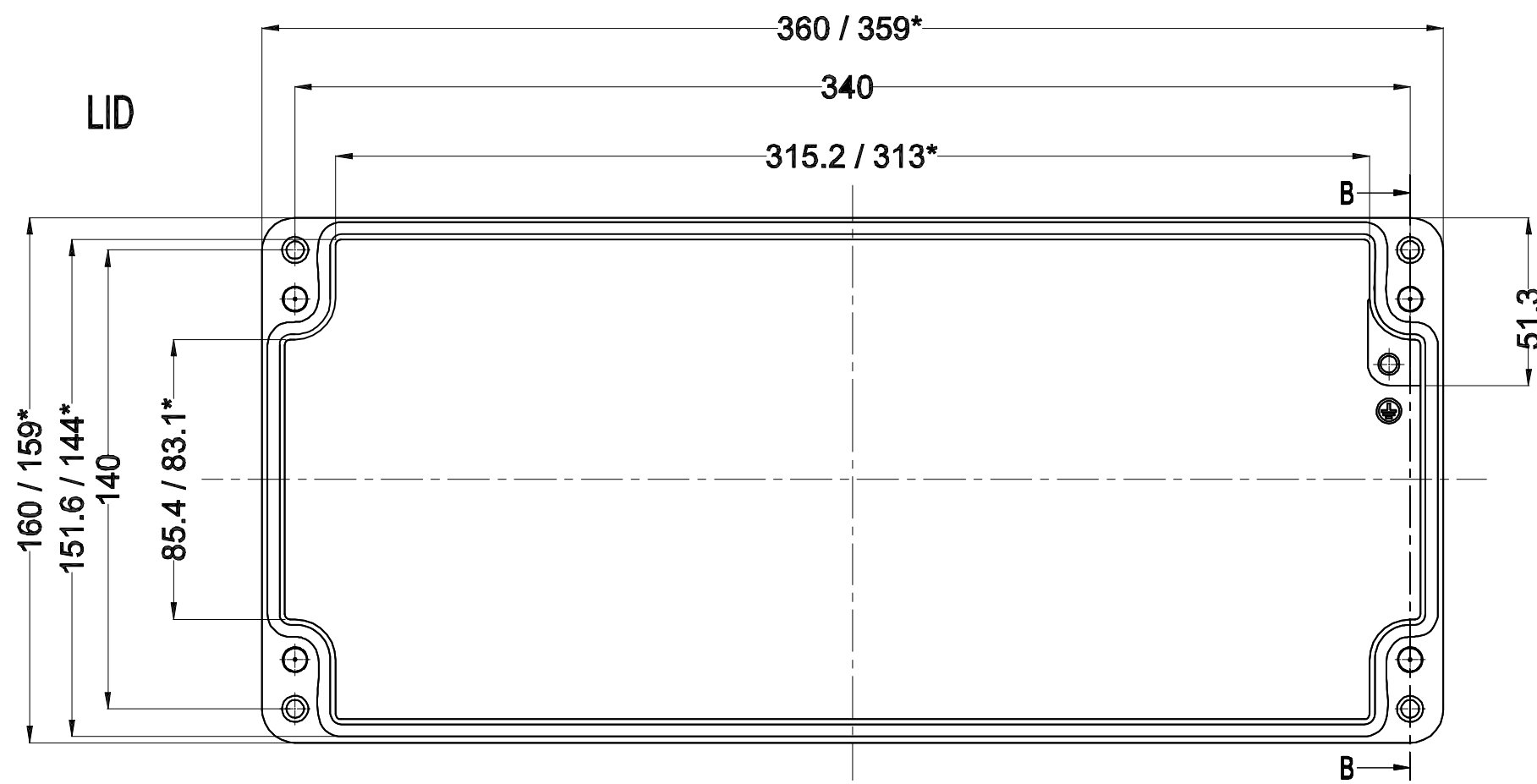
## Contact us

Tel: +86-755-8981 8866 Fax: +86-755-8427 6832

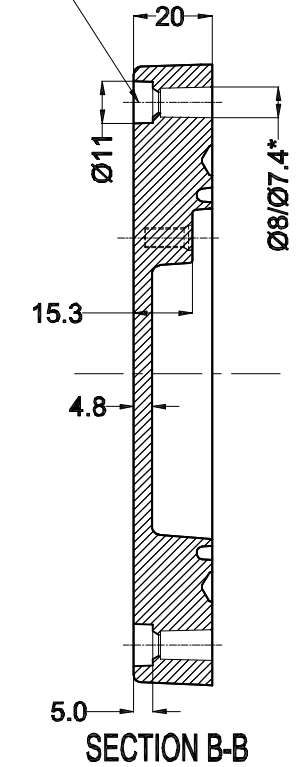
Email & Skype: info@chipsmall.com Web: www.chipsmall.com

Address: A1208, Overseas Decoration Building, #122 Zhenhua RD., Futian, Shenzhen, China


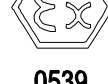




Cylinder Screw  
M6 x 25/10 similar to DIN 84

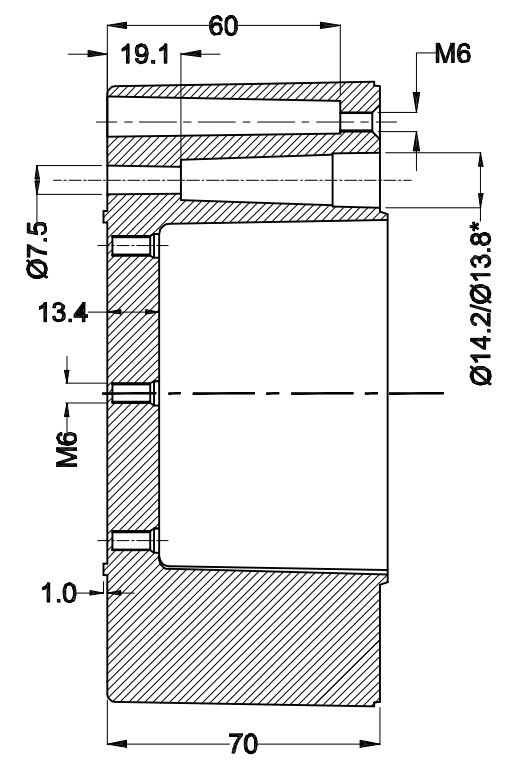
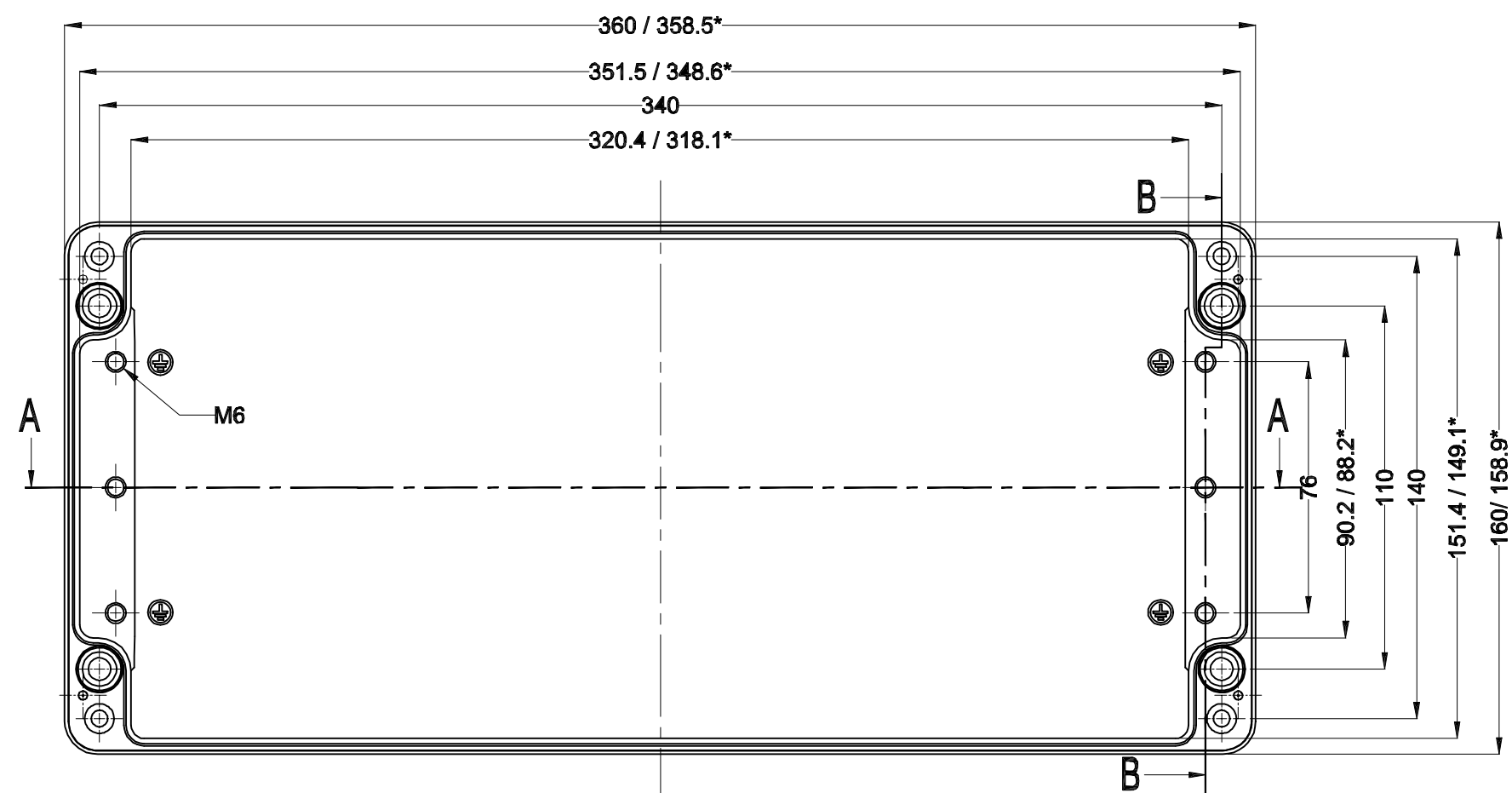
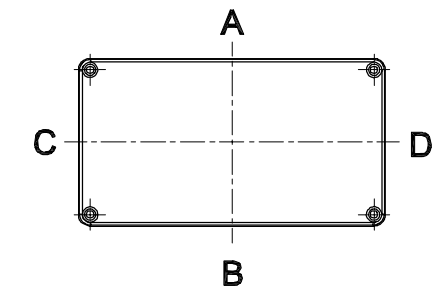
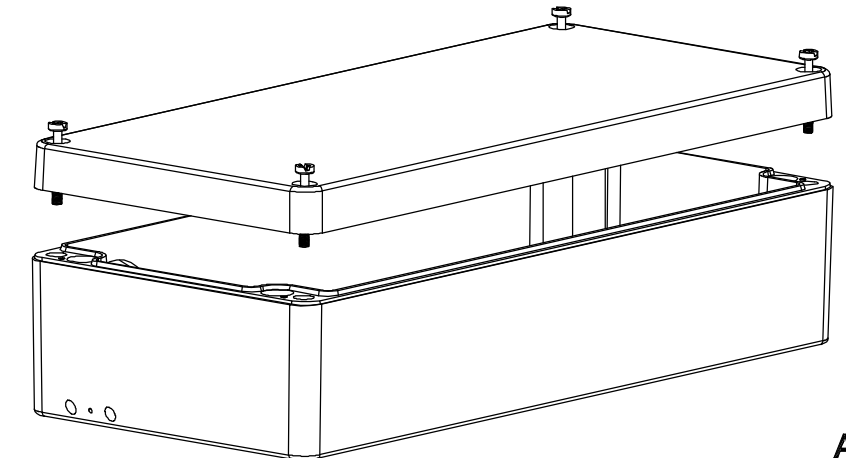


**GENERAL SPECIFICATION AND AREA CLASSIFICATION:**

1. MATERIAL COMPOSITION - AISI 12
2. DEGREE OF PROTECTION IP66 AS PER IEC 60529 : 1989 +A1 : 2000
3. SERVICE TEMPERATURE RANGE : - 50 °C to +135 °C
4. ALL DIMENSIONS ARE IN mm. UNLESS STATED OTHERWISE.
5. SURFACE WILL BE POWDER COATED.(RAL-7001)
6. THE JUNCTION BOX WILL BE MARKED WITH
7.  II 2 G Ex e IIC Gb  
 II 2 D Ex tb IIC Db IP 66  
0539  
DEMKO 13 ATEX 1327771U  
IECEX UL 13.0042U

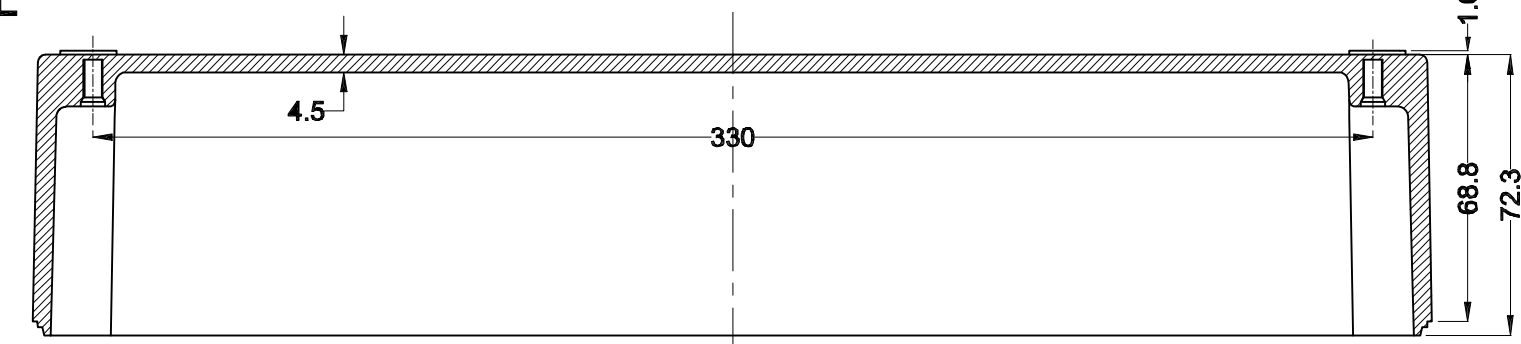
8. TRADE MARK 

 NOT TO BE REVISED WITHOUT NOTIFICATION TO THE ExCB/NOTIFIED BODY



SECTION B-B

BASE



SECTION A-A

| Opening Detail (Size) | NO OF HOLES SIDE A/B | Min. Distance between the opening for Side A/B (mm) | NO OF HOLES SIDE C/D | Min. Distance between the opening for Side C/D (mm) | Opening Detail (Size) PG | NO OF HOLES SIDE A/B | Min. Distance between the opening for Side A/B (mm) | NO OF HOLES SIDE C/D | Min. Distance between the opening for Side C/D (mm) | Min. Distance of last opening from the enclosure end on side A/B (mm) | Min. Distance of last opening from the enclosure end on side C/D (mm) |
|-----------------------|----------------------|---|----------------------|---|--------------------------|----------------------|---|----------------------|---|---|---|
| M12                   | 15                   | 28  | 4                    | 28  | Pg.7                     | 15                   | 28  | 4                    | 28  | 34  | 54  |
| M16                   | 15                   | 28  | 4                    | 28  | Pg.9                     | 15                   | 28  | 4                    | 28  | 34  | 54  |
| M20                   | 22                   | 9   | 6                    | 9   | Pg.11                    | 27                   | 17  | 6                    | 12  | 26  | 42  |
| M25                   | 13                   | 24  | 3                    | 15  | Pg.13.5                  | 22                   | 9   | 6                    | 9   | 24  | 38  |
| M32                   | 7                    | 19  | 2                    | 18  | Pg.16                    | 20                   | 10  | 5                    | 10  | 24  | 40  |
| M40                   | 5                    | 24  | 1                    | -   | Pg.21                    | 10                   | 22  | 2                    | 12  | 32  | 40  |
| M50                   | 4                    | 33  | -                    | -   | Pg.29                    | 7                    | 13  | 2                    | 13  | 30  | 40  |
| M63                   | -                    | -   | -                    | -   | Pg.36                    | 5                    | 18  | 1                    | -   | 27  | 42  |
| -                     | -                    | -   | -                    | -   | Pg.42                    | 4                    | 26  | -                    | -   | 33  | -   |
| -                     | -                    | -   | -                    | -   | Pg.48                    | -                    | -   | -                    | -   | -   | -   |
| -                     | -                    | -   | -                    | -   | -                        | -                    | -   | -                    | -   | -   | -   |

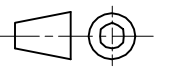
| SR.NO. | PART NAME                    | DRAWING NO.     | MATERIAL         | QTY |
|--------|------------------------------|-----------------|------------------|-----|
| 5      | SILICON GASKATE              | JB-02GSK-15     | SILICON          | 1   |
| 4      | JB EXTERNAL EARTHING SET     | -               | AISI 304         | 1   |
| 3      | LID MOUNTING SCREW           | M6 JB-SCR-LD-00 | AISI 304         | 4   |
| 2      | JB-EARTHING SCREW            | -               | MS COPPER PLATED | 2   |
| 1      | JUNCTION BOX Ex-360 x160 x91 | Ex-36016091     | AISI 12          | 1   |

B.O.M.

FINISH:  
GRAY TEXTURE POWDERCOAT RAL 7001

OPTIONAL ACCESSORIES:  
STEEL MOUNTING PLATE #MPX-519  
ALUMINUM MOUNTING PLATE #MPX-519-A  
EXTERNAL BRACKETS KIT #MTX-6512

DRAWING FOR REFERENCE  
WE RESERVE THE RIGHT TO MAKE CHANGES TO OUR STANDARD PRODUCTS. PLEASE CONSULT WITH BUD INDUSTRIES PRIOR TO USING THIS DRAWING FOR DESIGN PURPOSE.

 ALL DIMENSIONS ARE IN MM

PROPERTY OF RaychemRPG (P) LTD.  
ALL RIGHTS RESERVED AND/OR PHOTOCOPYING THIS DOCUMENT TO A PERSON WITHOUT RaychemRPG (P)LTD. WRITTEN AUTHORIZATION IS PROHIBITED

|   |           |                           |          |                                |           |          |
|---|-----------|---------------------------|----------|--------------------------------|-----------|----------|
|  | PART NAME | EXPLOSION PROOF ENCLOSURE | PART No. | ATX-10519<br>(Ex-AJB-36016090) | REV. DATE | 10-27-15 |
|---|-----------|---------------------------|----------|--------------------------------|-----------|----------|