



Chipsmall Limited consists of a professional team with an average of over 10 year of expertise in the distribution of electronic components. Based in Hongkong, we have already established firm and mutual-benefit business relationships with customers from,Europe,America and south Asia,supplying obsolete and hard-to-find components to meet their specific needs.

With the principle of “Quality Parts,Customers Priority,Honest Operation,and Considerate Service”,our business mainly focus on the distribution of electronic components. Line cards we deal with include Microchip,ALPS,ROHM,Xilinx,Pulse,ON,Everlight and Freescale. Main products comprise IC,Modules,Potentiometer,IC Socket,Relay,Connector.Our parts cover such applications as commercial,industrial, and automotives areas.

We are looking forward to setting up business relationship with you and hope to provide you with the best service and solution. Let us make a better world for our industry!



Contact us

Tel: +86-755-8981 8866 Fax: +86-755-8427 6832

Email & Skype: info@chipsmall.com Web: www.chipsmall.com

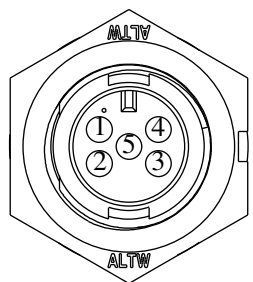
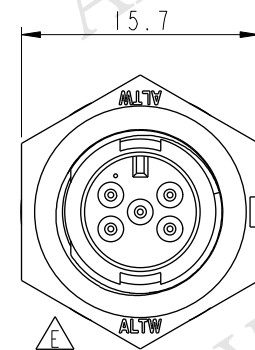
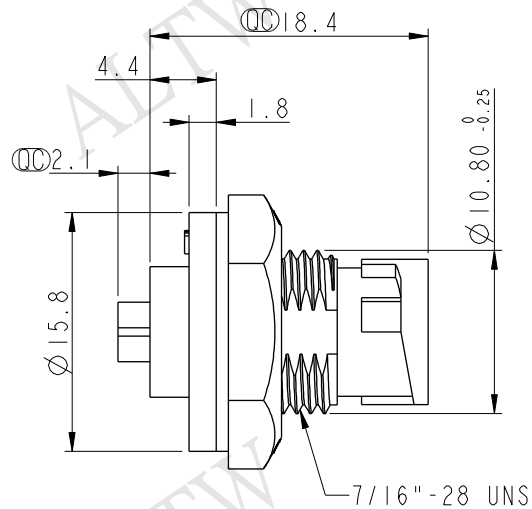
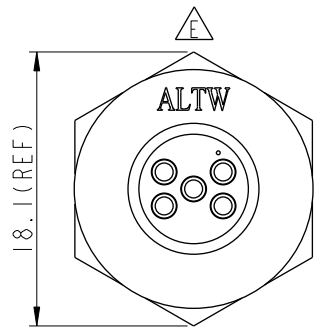
Address: A1208, Overseas Decoration Building, #122 Zhenhua RD., Futian, Shenzhen, China



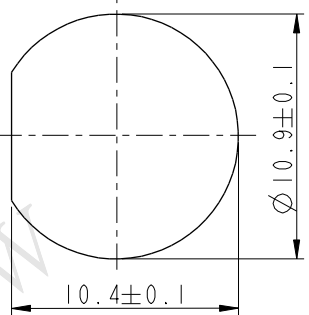
REV.	ECN NO.	DATE	SIGN	DESCRIPTION
C	LEN-750127	2007/04/26	A.F. Valentino	Changed Precision Of Dimensions
D	LEN-8A0150	2008/09/15	Shin	Add Notes
E	LEN1640079	2016/03/30	Vicky	Update Logo

ALTW
CONFIDENTIAL
2016-03-30
R&D DEPT.

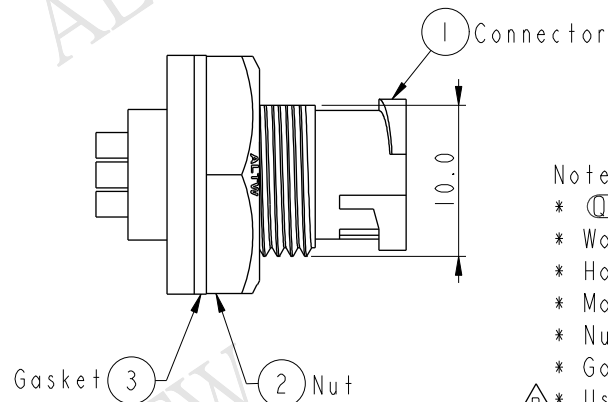
ALTW
DCC. DEPT.
CONFIDENTIAL
2016.04.11
ISSUED



Pin Assignments
Front View



Recommended Panel Cut-Out



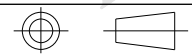
Note:

- * ⌀ Important Dimension
- * Waterproof Rate: IP67
- * Housing: Nylon+GF, Black
- * Male Pin: Copper Alloy, Gold Plated
- * Nut: Nylon+GF, Black
- * Gasket: EPDM, Black

$\triangle B$ * Use with waterproof cap or dust cap
Panel Thickness max: 2.5mm

$\triangle B$ * Use without waterproof cap or dust cap
Panel Thickness max: 3.5mm

UNIT: mm



TOLERANCE	
.X	±0.25
.XX	±0.1
.XXX	±0.05
ANGLES	±1°

TITLE Mini Panel Lock 5Pin M Conn. M Pin			
SCALE 2:1	SIZE A4	SHEET 1 OF 1	
REV. E	WC-REV. A.1	⌀ : Inspection item	

Amphenol LTW
安費諾亮泰企業股份有限公司

ITEM NO. AU-05PMMS-LC7001	DWG NO. AU-05PMMS-LC7001
CUSTOMER ALTW	

DRAWN BY Vicky	CHECKED BY Rita
APPROVED BY Lisa	

DATE 2016-03-30	DATE 2016-03-30	DATE 2016-03-30
--------------------	--------------------	--------------------

THIS DOCUMENT IS SUBJECT TO CHANGE WITHOUT NOTICE. IT IS CONFIDENTIAL AND A PROPERTY OF AMPHENOL LTW. DISCLOSURE TO THIRD PARTY HAS TO BE AUTHORIZED BY AMPHENOL LTW.