



Chipsmall Limited consists of a professional team with an average of over 10 year of expertise in the distribution of electronic components. Based in Hongkong, we have already established firm and mutual-benefit business relationships with customers from,Europe,America and south Asia,supplying obsolete and hard-to-find components to meet their specific needs.

With the principle of “Quality Parts,Customers Priority,Honest Operation,and Considerate Service”,our business mainly focus on the distribution of electronic components. Line cards we deal with include Microchip,ALPS,ROHM,Xilinx,Pulse,ON,Everlight and Freescale. Main products comprise IC,Modules,Potentiometer,IC Socket,Relay,Connector.Our parts cover such applications as commercial,industrial, and automotives areas.

We are looking forward to setting up business relationship with you and hope to provide you with the best service and solution. Let us make a better world for our industry!



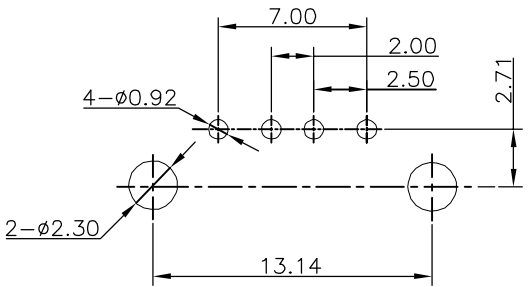
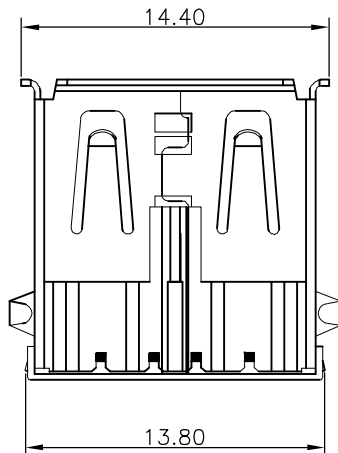
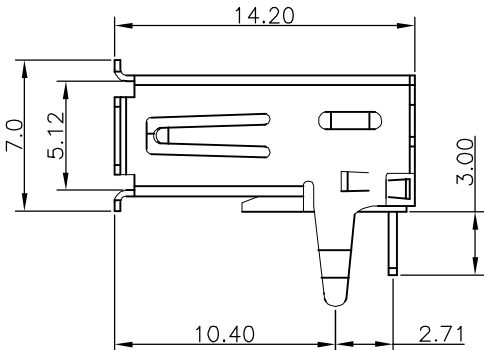
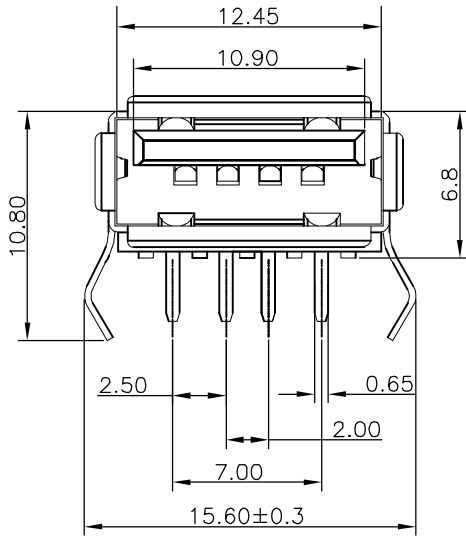
Contact us

Tel: +86-755-8981 8866 Fax: +86-755-8427 6832

Email & Skype: info@chipsmall.com Web: www.chipsmall.com

Address: A1208, Overseas Decoration Building, #122 Zhenhua RD., Futian, Shenzhen, China





RECOMMENDED P.C.B LAYOUT
(TOLERANCE:±0.05)

NOTES:

- 1.Material:
 - 1.1 Housing: PBT+30%GF UL94V-0, Color White
 - 1.2 Shell: Brass
 - 1.3 Contact :Phosphor Bronze
- 2. FINISH:
 - 2.1 Contact Area: Selective 5u"Au
 - Solder Area: Tin Plated
 - Under: Ni Plated
- 3.MECHANICAL:
 - 3.1 Mating Force:3.57kgf Max.
 - 3.2 Unmating Force:1.02kgf Min
 - 3.3 Durability:1500 cycles Min
- 4.ELECTRICAL:
 - 4.1 Current Rating:1.5A
 - 4.2 Dielectric Strength:500V AC FOR 1 MINUTE
 - 4.3 Contact Resistance:30mΩ Max
 - 4.4 Insulation Resistance:1000 MΩ Min
- 5.Operating temperature: -55°C TO +85°C
- ② 6.Wave soldering temperature :265°C ,5S max
- 7.PACKIING: Tray

RoHS compliant

Scale	Free						Date	Name	Customer-No.	
TOLERANCE						Drawn	07.06.2013	Winnie		
.X	±0.30					Approved	20.03.2017	Winnie	ASSMANN WSW-No.	
.XX	±0.20								①AU-Y1005	
.XXX	±0.10	②	Add the wave soldering temperature &time	20.03.2017	Winnie				Drawing-No.	
DIM	TOL	①	Change the P/N AU-Y1005-R to AU-Y1005	25.11.2013	Winnie				ASS 5773 CO	rev02
X.°	±5°									
Angle	TOL	③	Drawn	07.06.2013	Winnie				Replace	SHEET
UNIT	mm	Id.	Modification	Date	Name					

ASSMANN
WSW components