



Chipsmall Limited consists of a professional team with an average of over 10 year of expertise in the distribution of electronic components. Based in Hongkong, we have already established firm and mutual-benefit business relationships with customers from,Europe,America and south Asia,supplying obsolete and hard-to-find components to meet their specific needs.

With the principle of “Quality Parts,Customers Priority,Honest Operation,and Considerate Service”,our business mainly focus on the distribution of electronic components. Line cards we deal with include Microchip,ALPS,ROHM,Xilinx,Pulse,ON,Everlight and Freescale. Main products comprise IC,Modules,Potentiometer,IC Socket,Relay,Connector.Our parts cover such applications as commercial,industrial, and automotives areas.

We are looking forward to setting up business relationship with you and hope to provide you with the best service and solution. Let us make a better world for our industry!



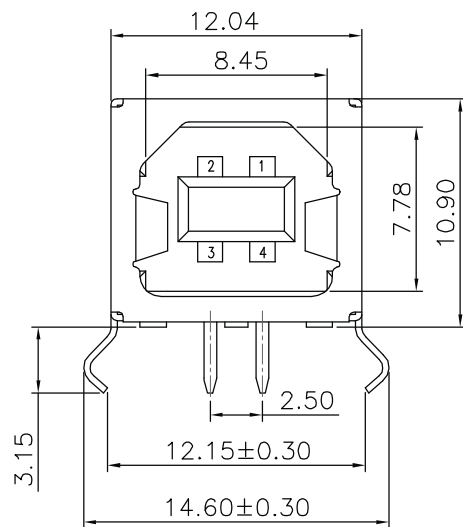
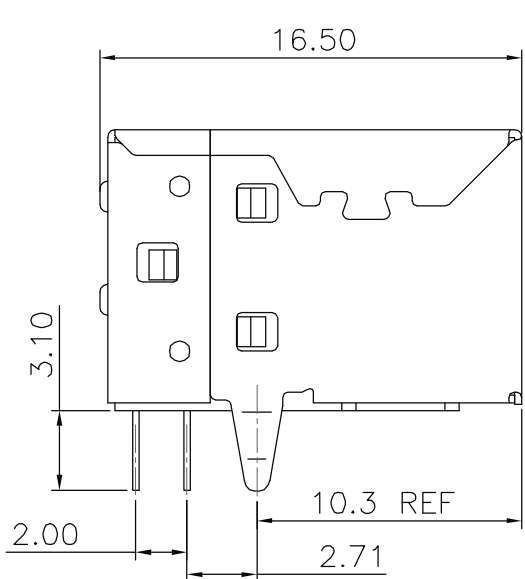
Contact us

Tel: +86-755-8981 8866 Fax: +86-755-8427 6832

Email & Skype: info@chipsmall.com Web: www.chipsmall.com

Address: A1208, Overseas Decoration Building, #122 Zhenhua RD., Futian, Shenzhen, China





Material:

- Contacts: Phosphor Bronze
- Insulator: PBT
- Shell: Brass

Mechanical:

- Mating: 35N Max.
- Withdrawal Force: 10N Min.
- Durability: 1,500 Cycles Min.

Electrical:

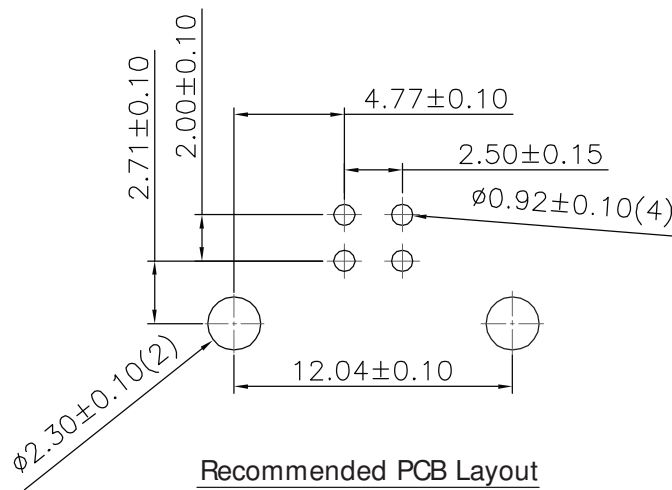
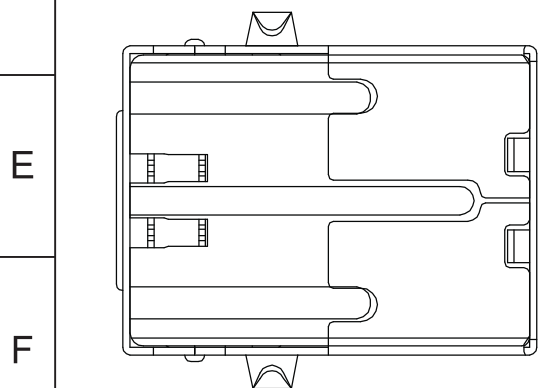
- Current - Max(Amps): 1.5A
- Voltage - Max(Volts): 30V
- Withstanding voltage: 500V AC
- Contact Resistance: 30MΩ Max.
- Insulation Resistance: 1,000MΩ Min.

Plating:

- Contacts: 5μ" gold plating
- Shell: Nickel over all plating

Environmental:

- Temperature: -55°C ~ +50°C
- Soldering Temperature: 223.3°C Max.



Recommended PCB Layout

Unit: mm



Scale	1:1					Date	Name	Title USB 1.1 Connector - Type B PCB Mounting, 5μ" Gold, White Insulator
TOLERANCE						Drawn	Chappell	
X.X	±0.40					Approved	Skinner	ASSMANN WSW-No.
X.XX	±0.25							AU-Y1007-R
X.XXX	±0.15							Drawing-No.
DIM	TOL							rev01
X.°	±3°							Replace
X.X°	±X°	①	Changed Insulator: LCP+30% GF, UL94-V-0, Black to PCB Changed Temperature Range from -55°C~+85°C to -55°C~+50°C	01.04.12	Chappell			Sheet
Angle	TOL	Id.	Modification	Date	Name			1/1
								1840 W. Drake Drive, Suite 101 • Tempe, AZ 85283 Toll Free: 1-877-277-6266 • Email: info@assmann.us

1

2

3

4

5

6

7