



Chipsmall Limited consists of a professional team with an average of over 10 year of expertise in the distribution of electronic components. Based in Hongkong, we have already established firm and mutual-benefit business relationships with customers from,Europe,America and south Asia,supplying obsolete and hard-to-find components to meet their specific needs.

With the principle of “Quality Parts,Customers Priority,Honest Operation,and Considerate Service”,our business mainly focus on the distribution of electronic components. Line cards we deal with include Microchip,ALPS,ROHM,Xilinx,Pulse,ON,Everlight and Freescale. Main products comprise IC,Modules,Potentiometer,IC Socket,Relay,Connector.Our parts cover such applications as commercial,industrial, and automotives areas.

We are looking forward to setting up business relationship with you and hope to provide you with the best service and solution. Let us make a better world for our industry!



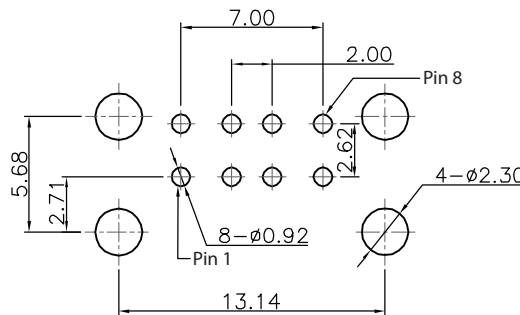
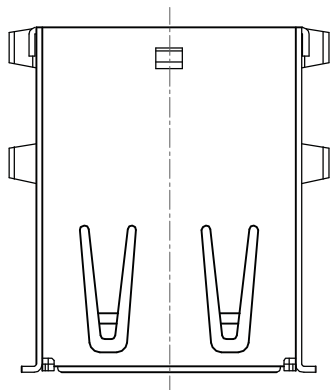
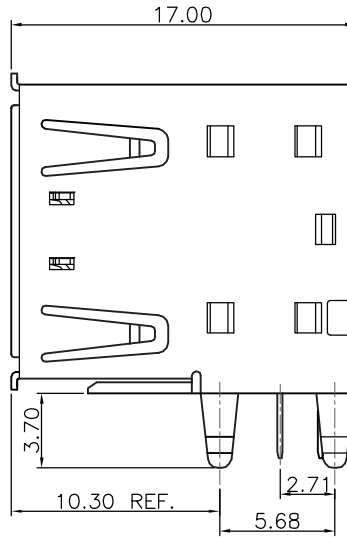
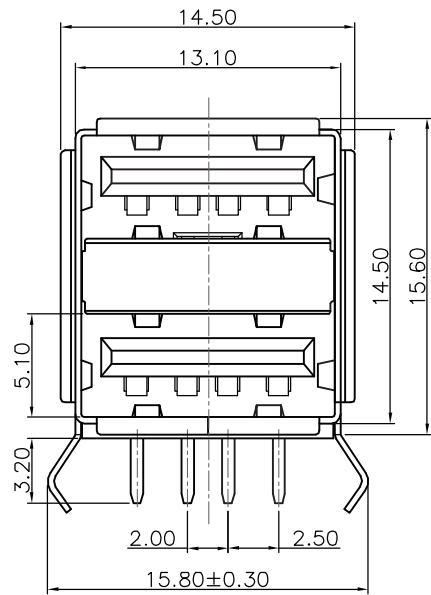
Contact us

Tel: +86-755-8981 8866 Fax: +86-755-8427 6832

Email & Skype: info@chipsmall.com Web: www.chipsmall.com

Address: A1208, Overseas Decoration Building, #122 Zhenhua RD., Futian, Shenzhen, China





Recommended PCB Layout

Material:

- Contacts: Brass
- Insulator: PBT+30% G.F. UL94V-0, White
- Shell: Brass

Electrical:

- Current-max[amps]: 1.0A
- Voltage-max[volts]: 30V
- Withstanding Voltage: 750V AC
- Conductor resistance: 30MΩ Max.
- Insulation Resistance: 1,000MΩ Min.
- Hi-Pot test: DC 300V

Plating:

- Contacts: Gold plated
- Shell: Nickel plated

Environmental:

- Soldering Temperature: 223.3°C Max.

Unit: mm



Scale	Free					Date	Name	Title USB 2.0 Connector 2-Port for PCB Mount, A Female type, 30µ" Gold
TOLERANCE					Drawn	23.05.12	Miller	
X.	±X							ASSMANN WSW-No. AU-Y1008-2-R
X.X	±0.25				Approved	23.05.12	Warner	
X.XX	±X							Drawing-No.
DIM	TOL							
X.°	±X°							rev01
X.X°	±X°	①	Drawing modification	07.12.12	Wilson			
Angle	TOL	Id.	Modification	Date	Name			Sheet 1/1
						<small>1840 W. Drake Drive, Suite 101 • Tempe, AZ 85283 Toll Free: 1-877-277-6266 • Email: info@assmann.us</small>		

1

2

3

4

5

6

7