



Chipsmall Limited consists of a professional team with an average of over 10 year of expertise in the distribution of electronic components. Based in Hongkong, we have already established firm and mutual-benefit business relationships with customers from,Europe,America and south Asia,supplying obsolete and hard-to-find components to meet their specific needs.

With the principle of “Quality Parts,Customers Priority,Honest Operation,and Considerate Service”,our business mainly focus on the distribution of electronic components. Line cards we deal with include Microchip,ALPS,ROHM,Xilinx,Pulse,ON,Everlight and Freescale. Main products comprise IC,Modules,Potentiometer,IC Socket,Relay,Connector.Our parts cover such applications as commercial,industrial, and automotives areas.

We are looking forward to setting up business relationship with you and hope to provide you with the best service and solution. Let us make a better world for our industry!



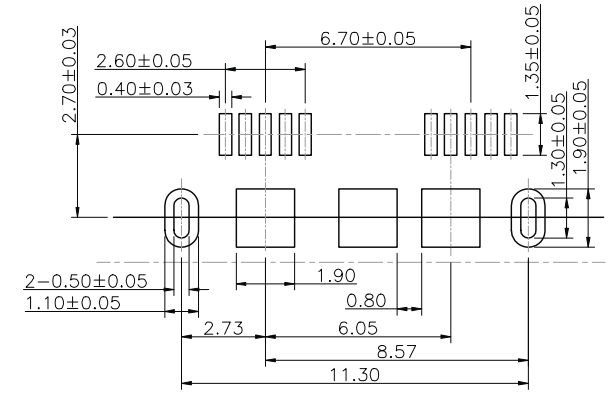
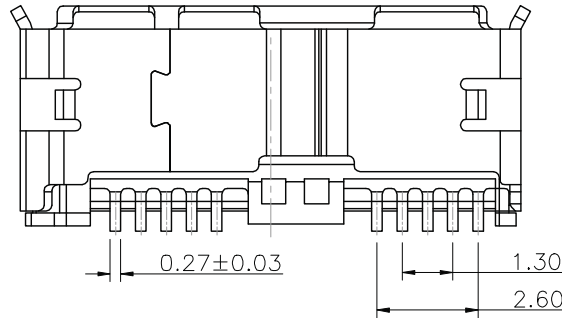
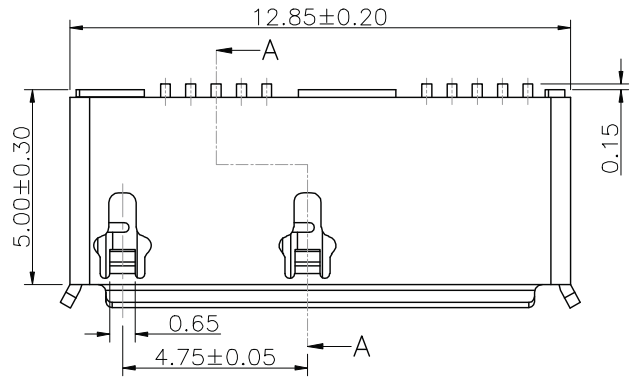
## Contact us

Tel: +86-755-8981 8866 Fax: +86-755-8427 6832

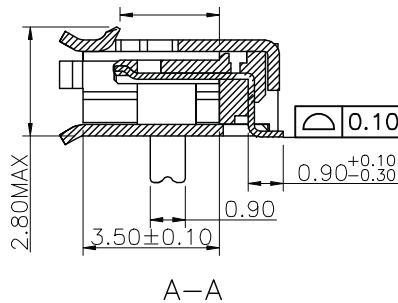
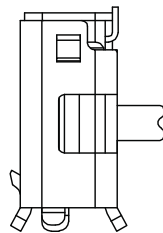
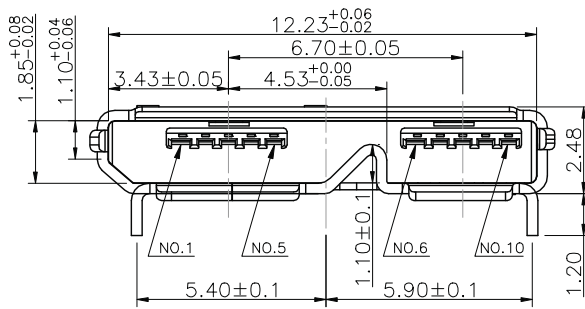
Email & Skype: info@chipsmall.com Web: www.chipsmall.com

Address: A1208, Overseas Decoration Building, #122 Zhenhua RD., Futian, Shenzhen, China





Recommended PCB Layout



**Material:**

- Insulator: LCP color-Black
- Shell: 0.3MM Thickness, Flash
- USB Contact: Brass 0.15MM Thickness, selective gold
- Plated on contact area, gold flash plated on solder tail
- Plated on the soldering tab
- 80µ" min. nickel underplated overall

Unit: MM±0.20MM

Scale	1:1						Name
TOLERANCE					Drawn	10.19.11	Chappell
X.X	±0.40				Approved		
X.XX	±0.25						
X.XXX	±0.15						
Angle	±3°						
Modification					Date	Name	



Item No.	<b>AU-Y1009/3-B-R</b>	
Title	USB Micro Connector 3.0 - SMT, B Female Type, 15µ", 10-pin for PCB Mount	
Drawing No.		
Replace		rev00
Sheet		