



Chipsmall Limited consists of a professional team with an average of over 10 year of expertise in the distribution of electronic components. Based in Hongkong, we have already established firm and mutual-benefit business relationships with customers from,Europe,America and south Asia,supplying obsolete and hard-to-find components to meet their specific needs.

With the principle of “Quality Parts,Customers Priority,Honest Operation,and Considerate Service”,our business mainly focus on the distribution of electronic components. Line cards we deal with include Microchip,ALPS,ROHM,Xilinx,Pulse,ON,Everlight and Freescale. Main products comprise IC,Modules,Potentiometer,IC Socket,Relay,Connector.Our parts cover such applications as commercial,industrial, and automotives areas.

We are looking forward to setting up business relationship with you and hope to provide you with the best service and solution. Let us make a better world for our industry!



Contact us

Tel: +86-755-8981 8866 Fax: +86-755-8427 6832

Email & Skype: info@chipsmall.com Web: www.chipsmall.com

Address: A1208, Overseas Decoration Building, #122 Zhenhua RD., Futian, Shenzhen, China



1. Scope

The present specifications shall apply to Sanken silicon rectifier diode, AU02A.

2. Outline

Type	Silicon Rectifier Diode (Mesa type)
Structure	Resin Molded
Applications	High Frequency Rectification, etc.

3. Flammability

UL94V-0 (equipment)

4. Absolute maximum ratings

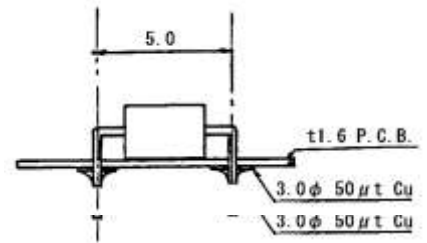
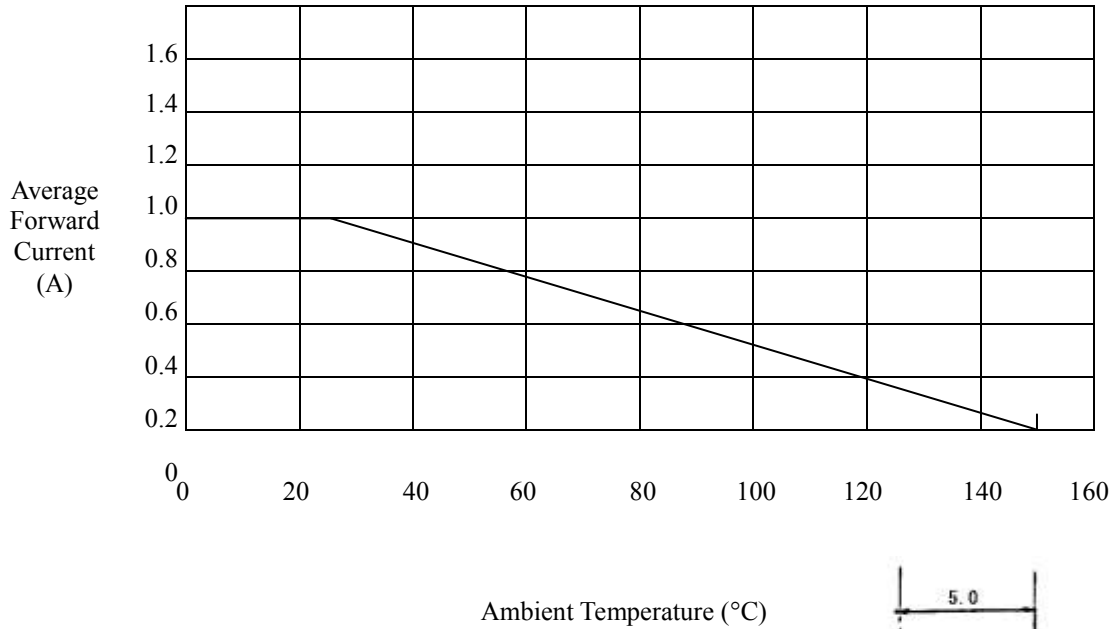
No.	Item	Symbol	Unit	Rating	Conditions
1	Transient Peak Reverse Voltage	V_{RSM}	V	650	
2	Peak Reverse Voltage	V_{RM}	V	600	
3	Average Forward Current	$I_{F(AV)}$	A	0.8	Refer to 6
4	Peak Surge Forward Current	I_{FSM}	A	25	10ms. Half-sinewave, one shot
5	Junction Temperature	T_j	°C	-40~+150	
6	Storage Temperature	T_{stg}	°C	-40~+150	

5. Electrical characteristics

No.	Item	Symbol	Unit	Value	Conditions
1	Forward Voltage Drop	V_F	V	1.3 max.	$I_F=0.8A$
2	Reverse Leakage Current	I_R	μA	10 max.	$V_R=V_{RM}$
3	Reverse Leakage Current Under High Temperature	HI_R	μA	250 max.	$V_R=V_{RM}$, $T_a=100^\circ C$
4	Reverse Recovery Time	trr-1	nS	400 max.	$I_F=I_{RP}=10mA$, 90%Recovery point
		trr-2	nS	180 max.	$I_F=10mA$, $I_{RP}=20mA$ 75% Recovery point
5	Thermal Resistance	θ_{j-l}	°C/W	22 max.	Between Junction and Lead

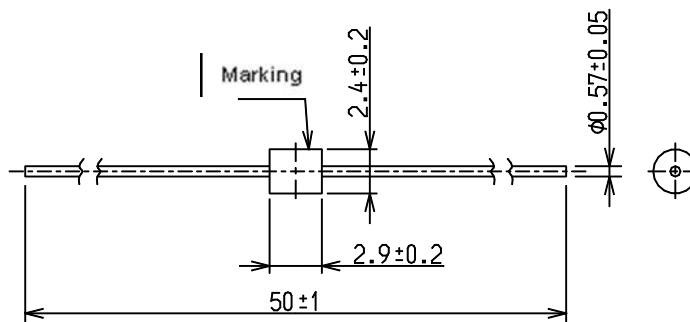
6. Derating

Deratings to the ambient temperature
Power loss generated by voltage is not taken into consideration.



7. Package information

7-1 Dimensions



Dimensions in mm

- *1 The allowance position of Body against the center of whole lead wire is 0.5mm(max.)
- *2 The centric allowance of lead wire against center of physical body is 0.2mm(max.)
- *3 The burr may exit up to 2mm from the body of lead
- *4 Whole lead wire is $62.0^{±1.0}$, with 52mm taping.

7-2 Appearance

The body shall be clean and shall not bear any stain, rust or flaw.

The color of the case will be black.

7-3 Marking Type number

① Type number : AU is abbreviated as U.

② V_{RM} rank A : 600V

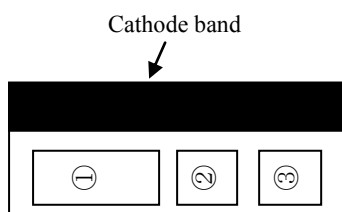
③ Lot number

First digit : Last digit of Year

Second digit : Month

From 1 to 9 for Jan. to Sep.

O for Oct., N for Nov., and D for Dec.



The type number, VRM rank and lot number are to be marked in Yellow.