



Chipsmall Limited consists of a professional team with an average of over 10 year of expertise in the distribution of electronic components. Based in Hongkong, we have already established firm and mutual-benefit business relationships with customers from,Europe,America and south Asia,supplying obsolete and hard-to-find components to meet their specific needs.

With the principle of “Quality Parts,Customers Priority,Honest Operation,and Considerate Service”,our business mainly focus on the distribution of electronic components. Line cards we deal with include Microchip,ALPS,ROHM,Xilinx,Pulse,ON,Everlight and Freescale. Main products comprise IC,Modules,Potentiometer,IC Socket,Relay,Connector.Our parts cover such applications as commercial,industrial, and automotives areas.

We are looking forward to setting up business relationship with you and hope to provide you with the best service and solution. Let us make a better world for our industry!



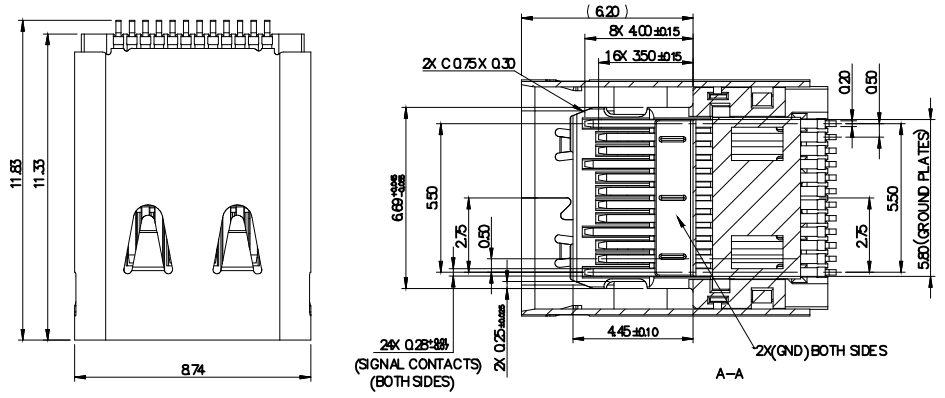
Contact us

Tel: +86-755-8981 8866 Fax: +86-755-8427 6832

Email & Skype: info@chipsmall.com Web: www.chipsmall.com

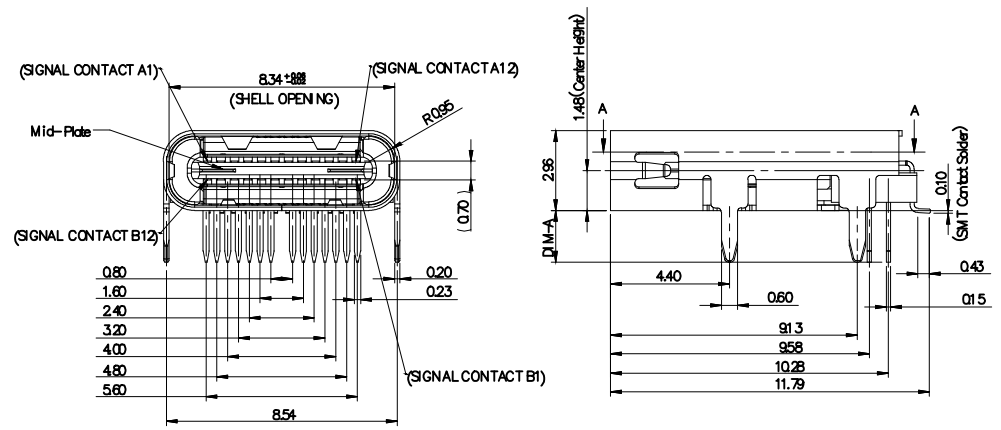
Address: A1208, Overseas Decoration Building, #122 Zhenhua RD., Futian, Shenzhen, China





Notes:

- SPECIFICATION**
MATERIAL
 ② Insulator: Thermoplastic, Black, UL94V-0
 Contacts: BRASS
 Shell: Stainless Steel
CONTACT PLATING
 Underplate: 80u" ~160u" Nickel
 Contact area: 30u" Pd-Ni+2u" Selective gold,
 Solder tails area: 100u" ~200u" Tin (Lead Free)
ELECTRICAL
 Operation voltage: 20 V
 Current rating: 5 Amps max.
 Insulation resistance: 100 Mohms min @ 100 VDC
 Dielectric withstanding voltage: 100 VAC / minute
 Temperature range: -40°C TO +105°C
 Mating cycles: 10,000 insertions
 AUSB1-DFN-PTP3:Tray
 ③ AUSB1-DFN-PTP3:Tape&Reel. 700Pcs/Reel



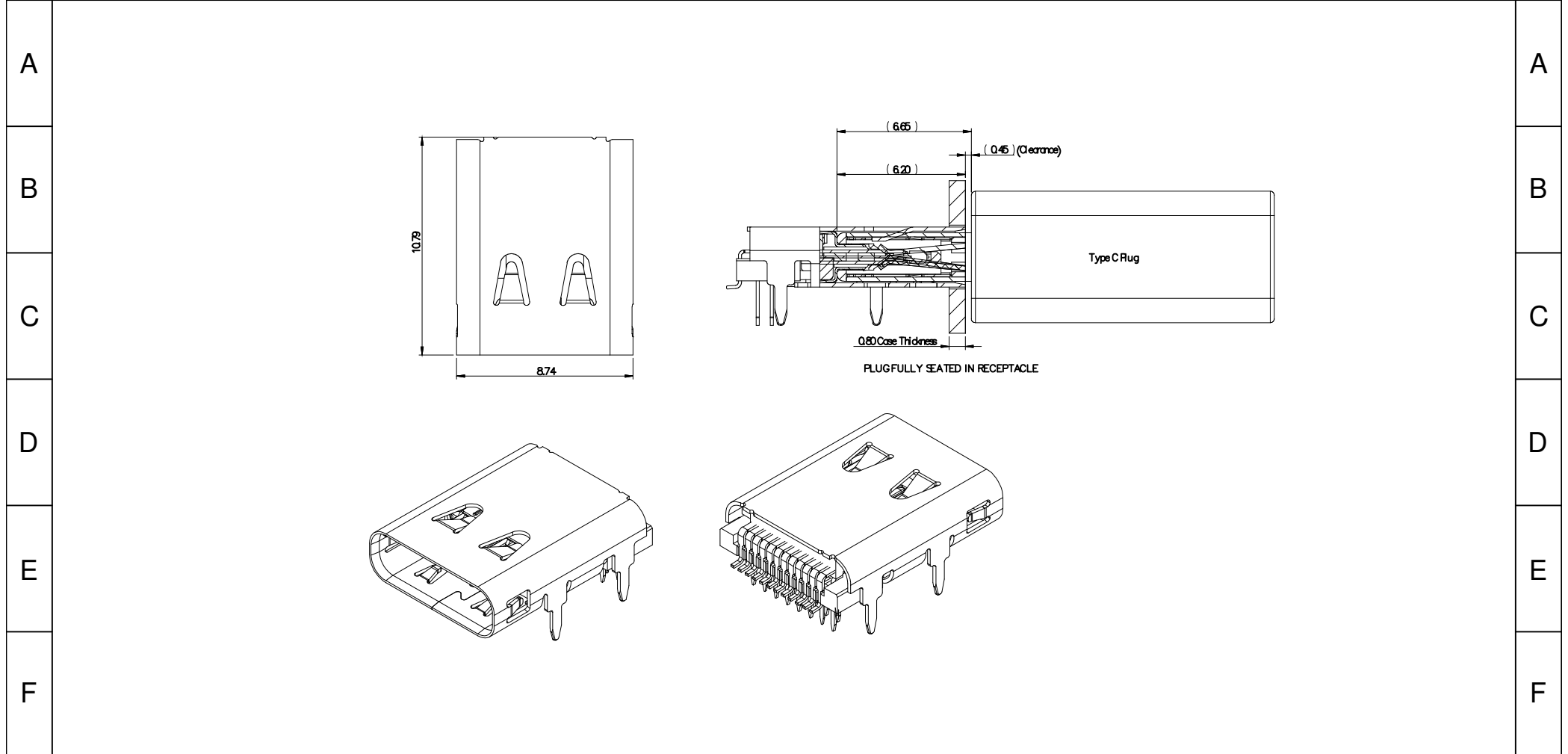
RoHS compliant
 Unit: mm

Scale	Free					Date	Name	Customer-No.
TOLERANCE		③	Change the packing quantities	21.09.2017	Fred	Drawn	30.10.2014	Winnie
X.	±0.50	②	Add flammability class of the insulator	18.04.2017	Winnie	Approved	21.09.2017	Winnie
X.X	±0.30	②	Add flammability class of the insulator	18.04.2017	Winnie			
X.XX	±0.20	②	Add flammability class of the insulator	18.04.2017	Winnie			
DIM	TOL	①	Add the detail packing quantities	22.04.2016	Winnie			
X.°	±2°	①	Drawn	30.10.2015	Winnie			
Angle	TOL	Id.	Modification	Date	Name			
								Replace

ASSMANN WSW-No.
AUSB1-DFN-PTx3

Drawing-No.
ASS 7048 CO rev03

	1	2	3	4	5	6	7	
--	---	---	---	---	---	---	---	--



RoHS compliant
Unit: mm

Scale	Free					Date	Name	Customer-No.
TOLERANCE		③	Change the packing quantities	21.09.2017		Drawn	30.10.2014	Winnie
X.	±0.50					Approved	21.09.2017	Winnie
X.X	±0.30							ASSMANN WSW-No. AUSB1-DFN-PTx3
X.XX	±0.20	②	Add flammability class of the insulator	18.04.2017	Winnie			Drawing-No.
DIM	TOL	①	Add the detail packing quantities	22.04.2016	Winnie	ASSMANN WSW components		ASS 7048 CO
X.°	±2°	①	Drawn	30.10.2015	Winnie			
Angle	TOL	Id.	Modification	Date	Name	Replace		Sheet 2/3

	1	2	3	4	5	6	7	SV3725 CON0735
--	---	---	---	---	---	---	---	-------------------

1

2

3

4

5

6

7

A

A

B

B

C

C

D

D

E

E

F

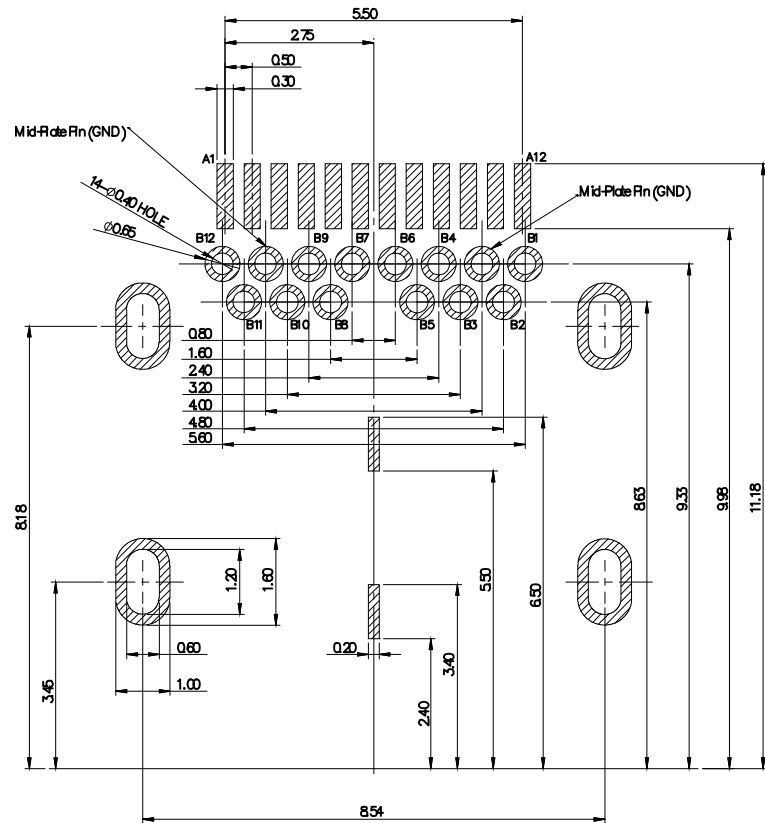
F

G

G

H

H



USB TYPE -C Pin Assignments

RnNumber	Signal Name	Pin Number	Signal Name
A1	GND	B1 2	GND
A2	SSTXp1	B1 1	SSRXp1
A3	SSTXn1	B1 0	SSRXn1
A4	VBUS	B9	VBUS
A5	CC1	B8	SBU2
A6	Dp1	B7	Dn2
A7	Dn1	B6	Dp2
A8	SBU1	B5	CC2
A9	VBUS	B4	VBUS
A1 0	SSRXn 2	B3	SSTXn2
A1 1	SSRXp 2	B2	SSTXp2
A1 2	GND	B1	GND

Recommended PCB Layout
Tolerance ± 0.05
PCB Thickness=1.00 For Dim-A 1.50 solder Tail

RoHS compliant
Unit: mm

Scale	Free				Date	Name	Customer-No.
TOLERANCE		③	Change the packing quantities	21.09.2017	Drawn	30.10.2014	Winnie
X.	± 0.50				Approved	21.09.2017	Winnie
X.X	± 0.30						ASSMANN WSW-No. AUSB1-DFN-PTx3
X.XX	± 0.20	②	Add flammability class of the insulator	18.04.2017	Winnie		Drawing-No.
DIM	TOL	①	Add the detail packing quantities	22.04.2016	Winnie	ASSMANN WSW components	ASS 7048 CO
X.°	$\pm 2^\circ$	④	Drawn	30.10.2015	Winnie		rev03
Angle	TOL	Id.	Modification	Date	Name	Replace	Sheet 3/3

1

2

3

4

5

6

7

SV3725
CON0735