



Chipsmall Limited consists of a professional team with an average of over 10 year of expertise in the distribution of electronic components. Based in Hongkong, we have already established firm and mutual-benefit business relationships with customers from,Europe,America and south Asia,supplying obsolete and hard-to-find components to meet their specific needs.

With the principle of “Quality Parts,Customers Priority,Honest Operation,and Considerate Service”,our business mainly focus on the distribution of electronic components. Line cards we deal with include Microchip,ALPS,ROHM,Xilinx,Pulse,ON,Everlight and Freescale. Main products comprise IC,Modules,Potentiometer,IC Socket,Relay,Connector.Our parts cover such applications as commercial,industrial, and automotives areas.

We are looking forward to setting up business relationship with you and hope to provide you with the best service and solution. Let us make a better world for our industry!



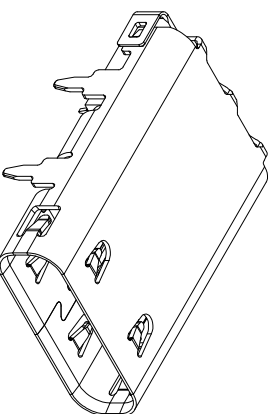
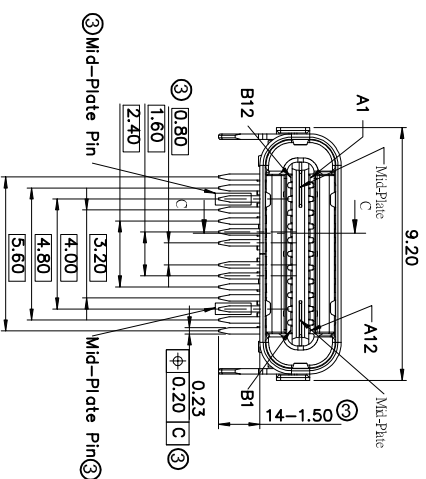
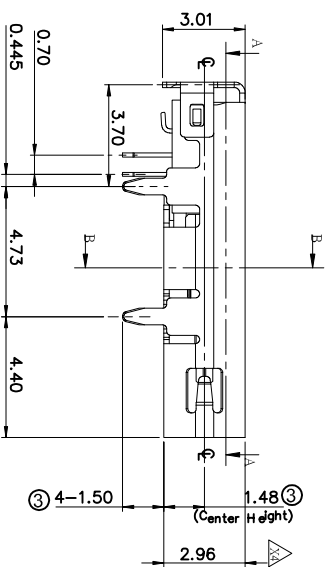
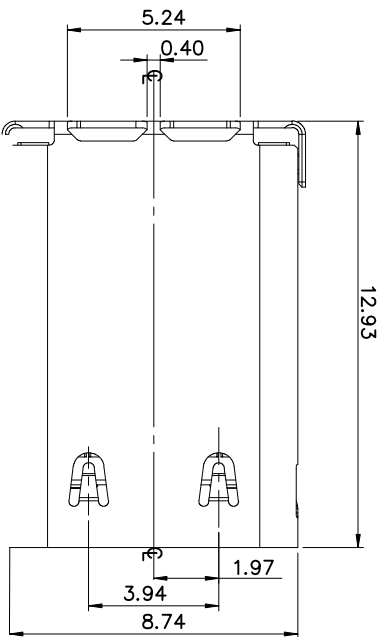
## Contact us

Tel: +86-755-8981 8866 Fax: +86-755-8427 6832

Email & Skype: info@chipsmall.com Web: www.chipsmall.com

Address: A1208, Overseas Decoration Building, #122 Zhenhua RD., Futian, Shenzhen, China





**SPECIFICATION**  
**MATERIAL:** LCP Black  
**Insulator:** LCP Black  
**Contacts:** BRASS  
**Shell:** Steel  
**CONTACT PLATING**  
**Underplate:** 80u"~160u" Nickel  
**Contact area:** 30u"Pd~Ni+2u" Selective gold,  
**Solder tails area:** 100u"~200u" Tin (Lead Free)  
**ELECTRICAL**  
**Operation voltage:** 5 V  
**Current rating:** 3 Amps max.  
**Insulation resistance:** 100 Mohms min @ 100 VDC  
**Dielectric withstanding voltage:** 100 VAC / min  
**Temperature range:** -25°C TO +105°C  
**Mating cycles:** 10,000 insertions  
**PACKING STYLE:**  
 AUSB1-DFN-PTP1:TRAY  
 AUSB1-DFN-PTR1:Top&Reel(Standard)-800Pcs

**RoHS compliant**  
 Unit: mm

Scale	Free	Customer-No.	
TOLERANCE			
X.	±0.30	ASSMANN WSW-No.	AUSB1-DFN-PTP1
X.X	±0.20		AUSB1-DFN-PTR1
X.XX	±0.10	Drawing-No.	ASS 6658 CO
DIM	TOL	Replace	rev03
X.°	±2°		
Angle	TOL		

Id.	Modification	Date	Name
①	Add the P/N:AUSB1-DFN-PTR1	26.01.2015	Winnie
②	Update the material for the insulator	04.02.2015	Winnie
③	Add the dimension the PCB Layout	27.04.2015	Winnie
④	Update the material for the insulator	04.02.2015	Winnie
⑤	Add the P/N:AUSB1-DFN-PTR1	26.01.2015	Winnie
⑥	Drawn	24.11.2014	Winnie

Date	Name
24.11.2014	Winnie

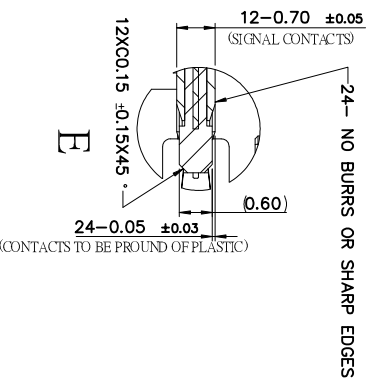
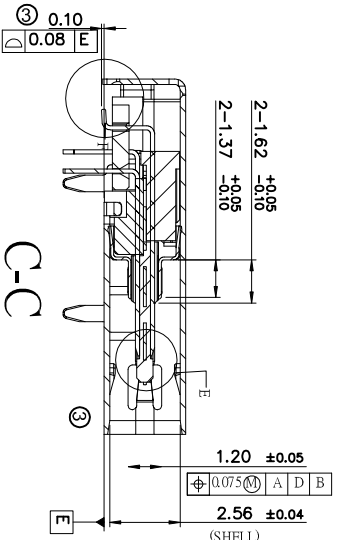
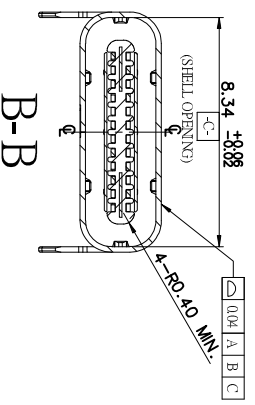
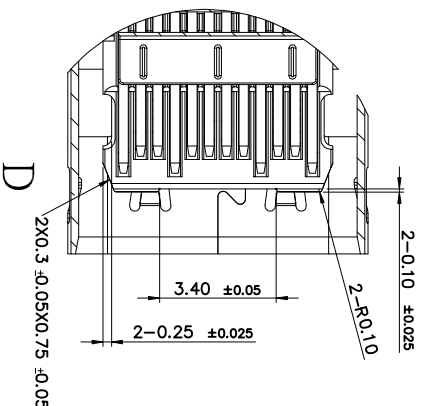
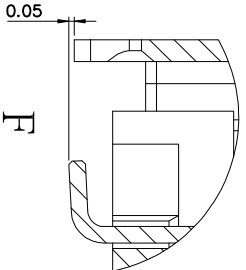
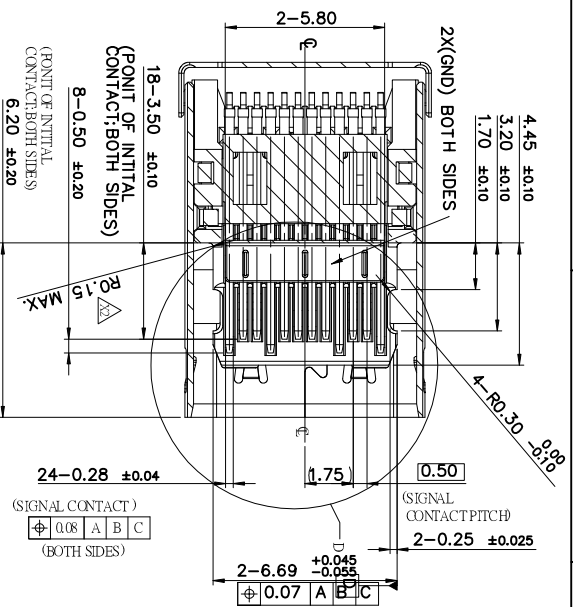
**ASSMANN**  
 WSW components

Customer-No. ASSMANN WSW-No. AUSB1-DFN-PTP1 AUSB1-DFN-PTR1

Drawing-No. ASS 6658 CO

Replace rev03

Sheet 1/3



**RoHS compliant**  
Unit: mm

Scale	Free		
TOLERANCE			
X.	±0.30		
X.X	±0.20		
X.XX	±0.10		
DIM	TOL		
X.°	±2°		
Angle	TOL		

Id.	Modification	Date	Name
①	Add the P/N: AUSB1-DFN-PTP1	26.01.2015	Winnie
②	Update the material for the insulator	04.02.2015	Winnie
③	Add the dimension the PCB layout	27.04.2015	Winnie
④	Drawn	24.11.2014	Winnie

**ASSMANN**  
components

Customer-No.  
ASSMANN WSW-No.  
AUSB1-DFN-PTP1  
AUSB1-DFN-PTP1

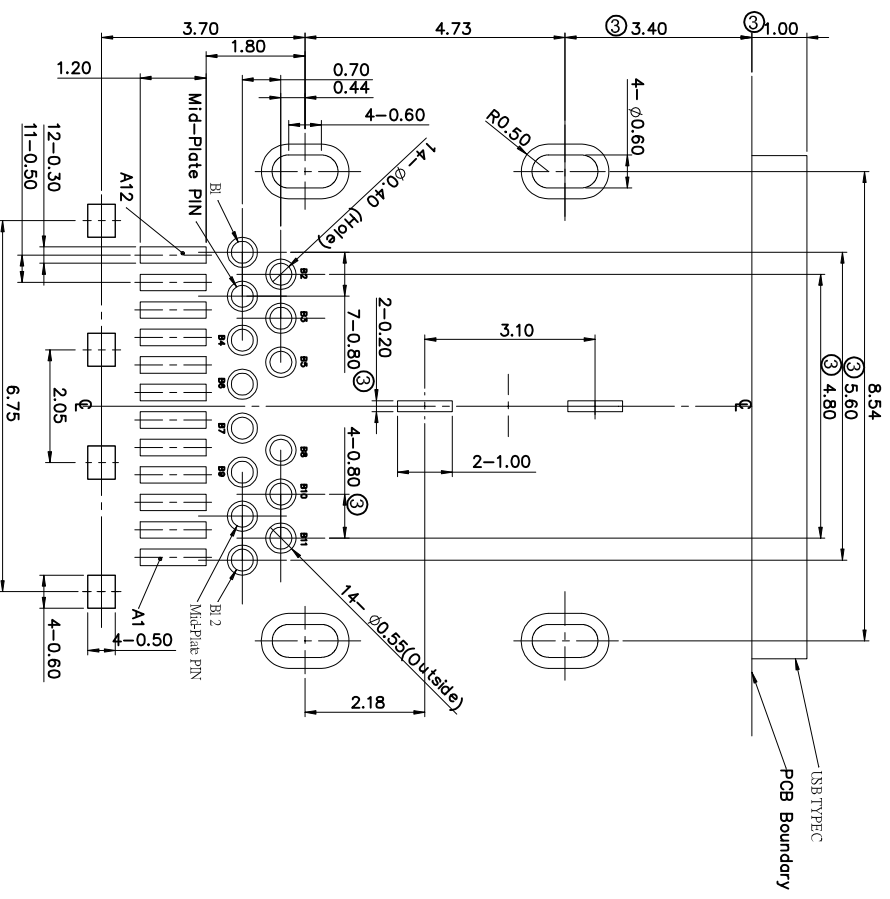
Drawing-No.  
ASS 6658 CO

rev03

1	2	3	4	5	6	7
H	G	F	E	D	C	B
1	2	3	4	5	6	7
H	G	F	E	D	C	B
SV3725						



1	2	3	4	5	6	7
A	B	C	D	E	F	G



Recommended PCB LAYOUT  
TOLERANCE ±0.05  
PCB Thickness = 1.00mm

**RoHS compliant**  
Unit: mm

USB TYPE - C Pin Assignments

Pin Number	Signal Name	Pin Number	Signal Name
A1	GND	B12	GND
A2	SSTXp1	B11	SSRXp1
A3	SSTXn1	B10	SSRXn1
A4	VBUS	B9	VBUS
A5	CC1	B8	SBU2
A6	Dp1B	B7D	n2
A7	Dn1B	B6D	p2
A8	SBU1	B5	CC2
A9	VBUS	B4	VBUS
A10	SSRXn2	B3	SSTXn2
A11	SSRXp2	B2	SSTXp2
A12	GND	B1	GND

Scale	Free	Customer-No.	
TOLERANCE			
X.	±0.30	Drawn	24.11.2014
X.X	±0.20	Approved	27.04.2015
X.XX	±0.10	Winnie	Winnie
DIM	TOL	ASSMANN WSW-No.	
X.°	±2°	AUSB1-DFN-PTP1	
Angle	TOL	AUSB1-DFN-PTR1	
		Drawing-No.	
		ASS 6658 CO	
		Replace	
		Sheet	
		3/3	

