



Chipsmall Limited consists of a professional team with an average of over 10 year of expertise in the distribution of electronic components. Based in Hongkong, we have already established firm and mutual-benefit business relationships with customers from,Europe,America and south Asia,supplying obsolete and hard-to-find components to meet their specific needs.

With the principle of “Quality Parts,Customers Priority,Honest Operation,and Considerate Service”,our business mainly focus on the distribution of electronic components. Line cards we deal with include Microchip,ALPS,ROHM,Xilinx,Pulse,ON,Everlight and Freescale. Main products comprise IC,Modules,Potentiometer,IC Socket,Relay,Connector.Our parts cover such applications as commercial,industrial, and automotives areas.

We are looking forward to setting up business relationship with you and hope to provide you with the best service and solution. Let us make a better world for our industry!



Contact us

Tel: +86-755-8981 8866 Fax: +86-755-8427 6832

Email & Skype: info@chipsmall.com Web: www.chipsmall.com

Address: A1208, Overseas Decoration Building, #122 Zhenhua RD., Futian, Shenzhen, China



AV series

Anti-vandal pushbutton switches •
 Ø 19 or 22 mm • momentary NO



DISTINCTIVE FEATURES

Momentary (NO)

Impact resistance IK08 for model Ø 19 mm (.748)
 and IK10 for model Ø 22 mm (.866)

Stainless steel actuator and bushing

UL-CSA approved (long case only)



ENVIRONMENTAL SPECIFICATIONS

- Impact resistance: IK08 for model Ø 19 mm (.748),
 IK10 for model Ø 22 mm (.866)
- Optional front panel sealing: IP65 according to IEC 60529
- Operating temperature: -30 °C to +70 °C (-22 °F to +158 °F)



ELECTRICAL SPECIFICATIONS

- Max. current/voltage rating with resistive load:
 - A contacts: 4 A 12 VDC, 500,000 cycles
 - C contacts: 2 A 48 VDC, 10,000 cycles
- Initial contact resistance: 50 mΩ max.
- Insulation resistance: 1,000 MΩ min. at 500 VDC
- Dielectric strength:
 - 2,000 Vrms 50 Hz min. between terminals and frame
 - 2,000 Vrms 50 Hz min. between terminals



GENERAL SPECIFICATIONS

- Torque: 5 Nm min.- 14 Nm max. applied to nut
- Panel thickness: 1 (.039) to 11 mm (.433) max.
- Low level or mechanical life: 1,000,000 cycles
- Hand soldering: 300 °C (572 °F), 3 sec. max.



MATERIALS

- Case: PBT
- Contacts: silver (A) or brass, silver plated (C)
- Bushing: stainless steel
- Actuator: stainless steel

The company reserves the right to change specifications without notice.



AV series

Anti-vandal pushbutton switches •
Ø 19 or 22 mm • momentary NO

AGENCY APPROVAL

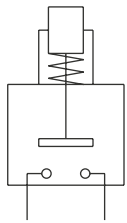


4 A 250 VAC / 8 A 125 VAC
(long case only)

To order switches marked UL-CSA,
add "UU" at the end of model number.



ELECTRICAL FUNCTIONS



Function 3 (NO)



PANEL MOUNTING

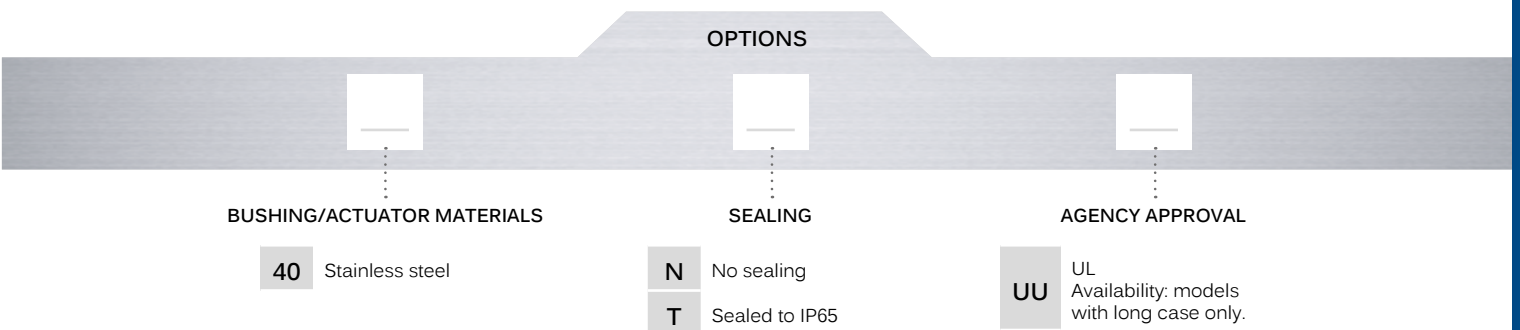
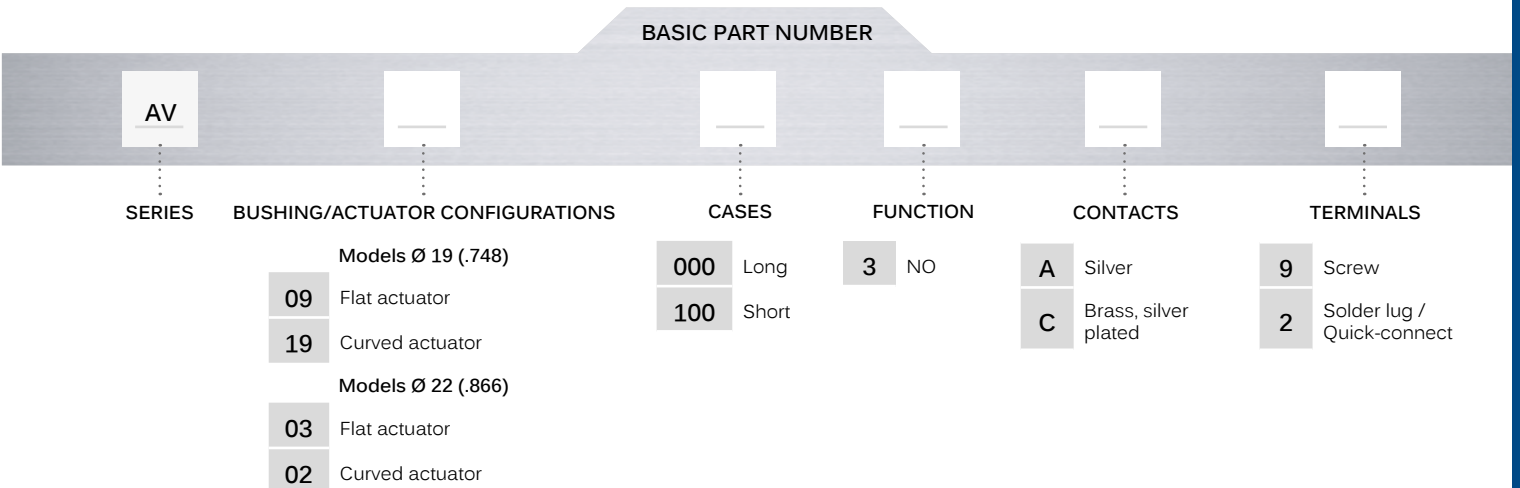
- Panel cut-out: Ø 19.2 mm (.755) or Ø 22.2 mm (.874)
- Min. pitch for matrix mounting:
30 mm x 30 mm (1.181 x 1.181)

AV series

Anti-vandal pushbutton switches •
 Ø 19 or 22 mm • momentary NO



BUILD YOUR PART NUMBER



ABOUT THIS SERIES

On the following pages, you will find successively : model structure of switches and options in the same order as in above chart

Notice: please note that not all combinations of above numbers are available. Refer to the following pages for further information.

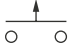
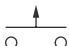
Mounting accessories: standard hardware supplied : 1 hex nut and 1 knurled nut (models dia. 19 mm) - 1 hex nut (models dia. 22 mm)
 Standard and special hardware is presented in the "Hardware" section of website.

AV series

Anti-vandal pushbutton switches •
 Ø 19 or 22 mm • momentary NO

BUSHING Ø 19 (.748) - FLAT ACTUATOR SHORT CASE - 48 VDC

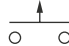


- Screw terminals
AV091003•940 
- Solder lug /
 quick-connect term.
AV091003•240 

• Contacts. Replace with A or C.

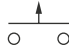
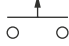
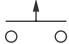
BUSHING Ø 19 (.748) - FLAT ACTUATOR LONG CASE - 4 A 250 VAC/8 A 125 VAC - UL/CSA



- Screw terminals
AV090003A940 

BUSHING Ø 19 (.748) - CURVED ACTUATOR

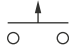



- Short case,
 screw terminals
AV191003•940 
- Long case,
 screw terminals
AV190003•940 
- Short case, solder lug/
 quick-connect term.
AV191003•240 

• Contacts. Replace with A or C.

BUSHING Ø 22 (.866) - FLAT ACTUATOR SHORT CASE - 48 VDC

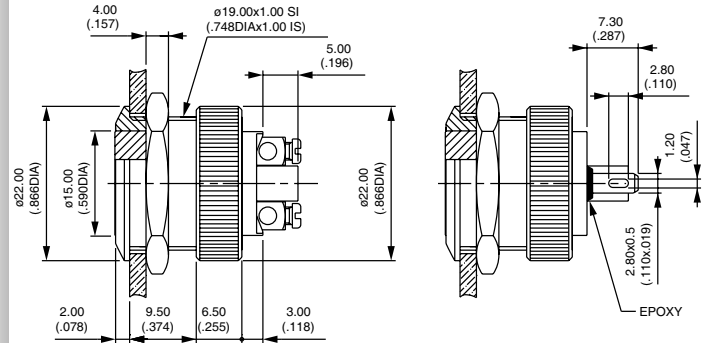


- Screw terminals
AV031003•940 
- Solder lug /
 quick-connect term.
AV031003•240 

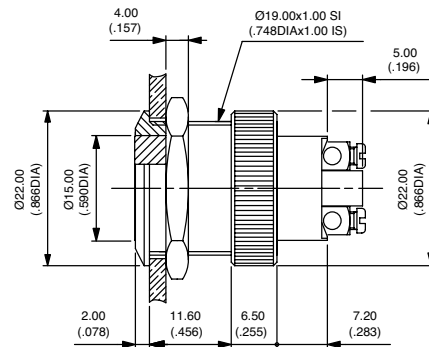
• Contacts. Replace with A or C.

Screw terminals for wires 1.5 mm² max.

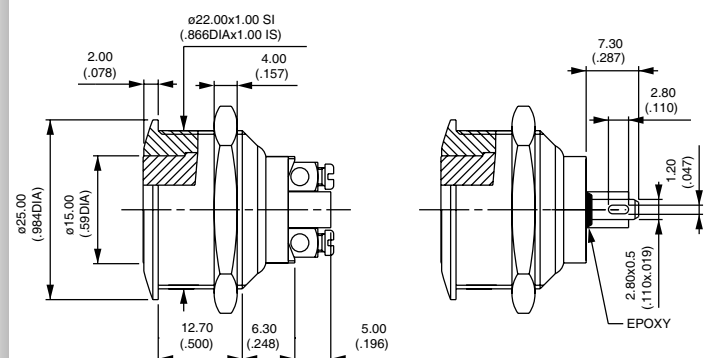
Hex nut 22 (.866) across flats



Hex nut 22 (.866) across flats



Hex nut 25 (.984) across flats



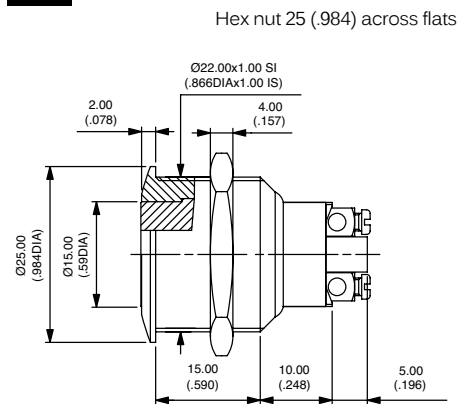
AV series

Anti-vandal pushbutton switches •
 Ø 19 or 22 mm • momentary NO

BUSHING Ø 22 (.866) - FLAT ACTUATOR LONG CASE - 4 A 250 VAC/8 A 125 VAC - UL/CSA



Screw terminals
AV030003A940



BUSHING Ø 22 (.866) - CURVED ACTUATOR



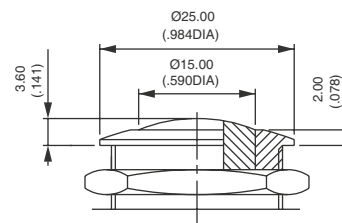
Short case,
 screw terminals
AV021003•940



Long case,
 screw terminals
AV020003•940



Short case, solder lug/
 quick-connect term.
AV021003•240



• Contacts. Replace with A or C.

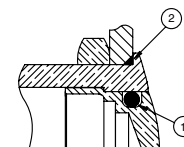
Screw terminals for wires 1.5 mm² max.

SEALING



- N No sealing
- T Sealed to IP65

OPTION T



- ① - internal gasket
- ② - external gasket
- Option N does not include ① or ②.

AGENCY APPROVAL



- UU U-CSA marking (models with long case only.)