



Chipsmall Limited consists of a professional team with an average of over 10 year of expertise in the distribution of electronic components. Based in Hongkong, we have already established firm and mutual-benefit business relationships with customers from,Europe,America and south Asia,supplying obsolete and hard-to-find components to meet their specific needs.

With the principle of “Quality Parts,Customers Priority,Honest Operation,and Considerate Service”,our business mainly focus on the distribution of electronic components. Line cards we deal with include Microchip,ALPS,ROHM,Xilinx,Pulse,ON,Everlight and Freescale. Main products comprise IC,Modules,Potentiometer,IC Socket,Relay,Connector.Our parts cover such applications as commercial,industrial, and automotives areas.

We are looking forward to setting up business relationship with you and hope to provide you with the best service and solution. Let us make a better world for our industry!



Contact us

Tel: +86-755-8981 8866 Fax: +86-755-8427 6832

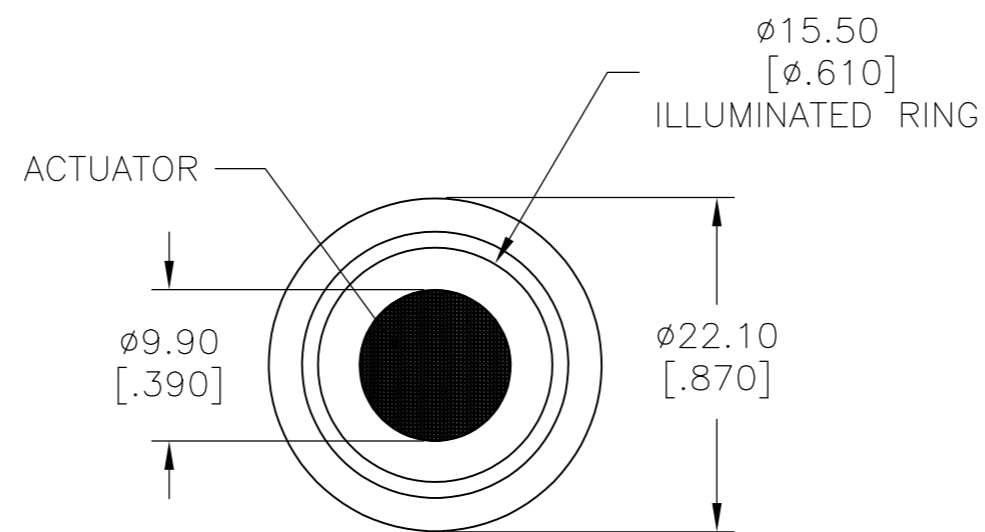
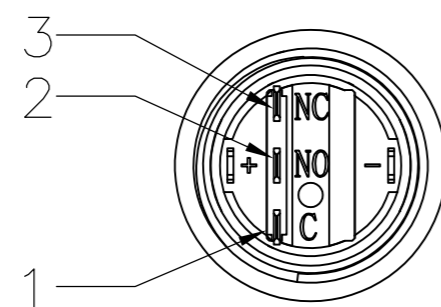
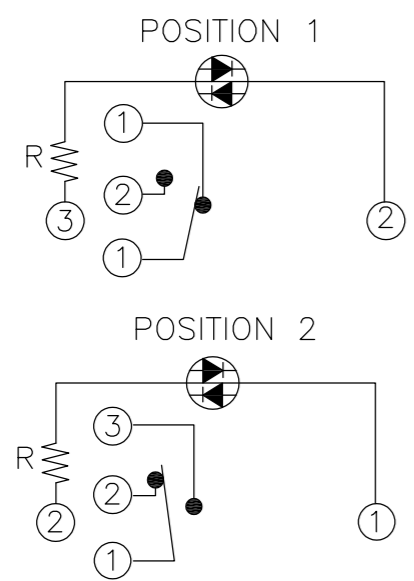
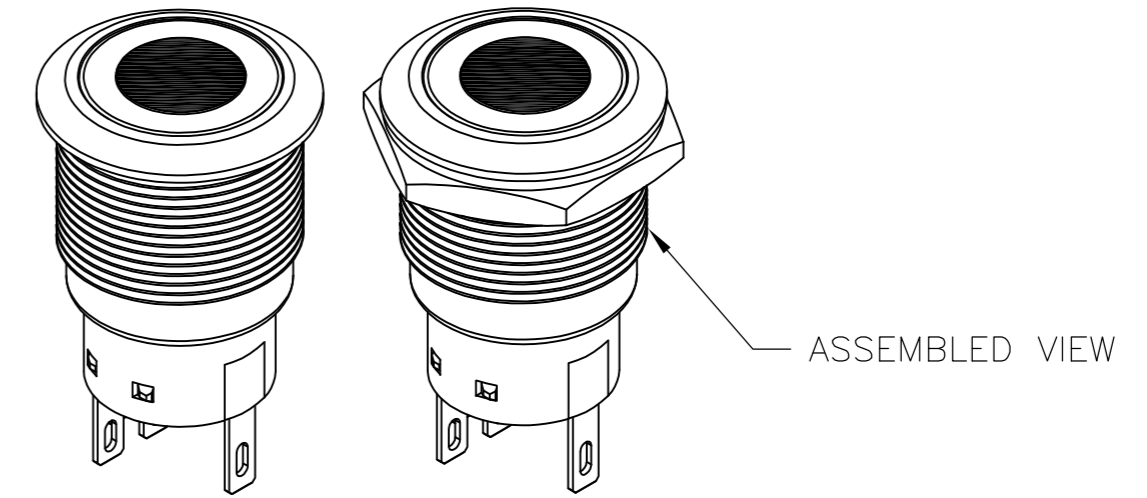
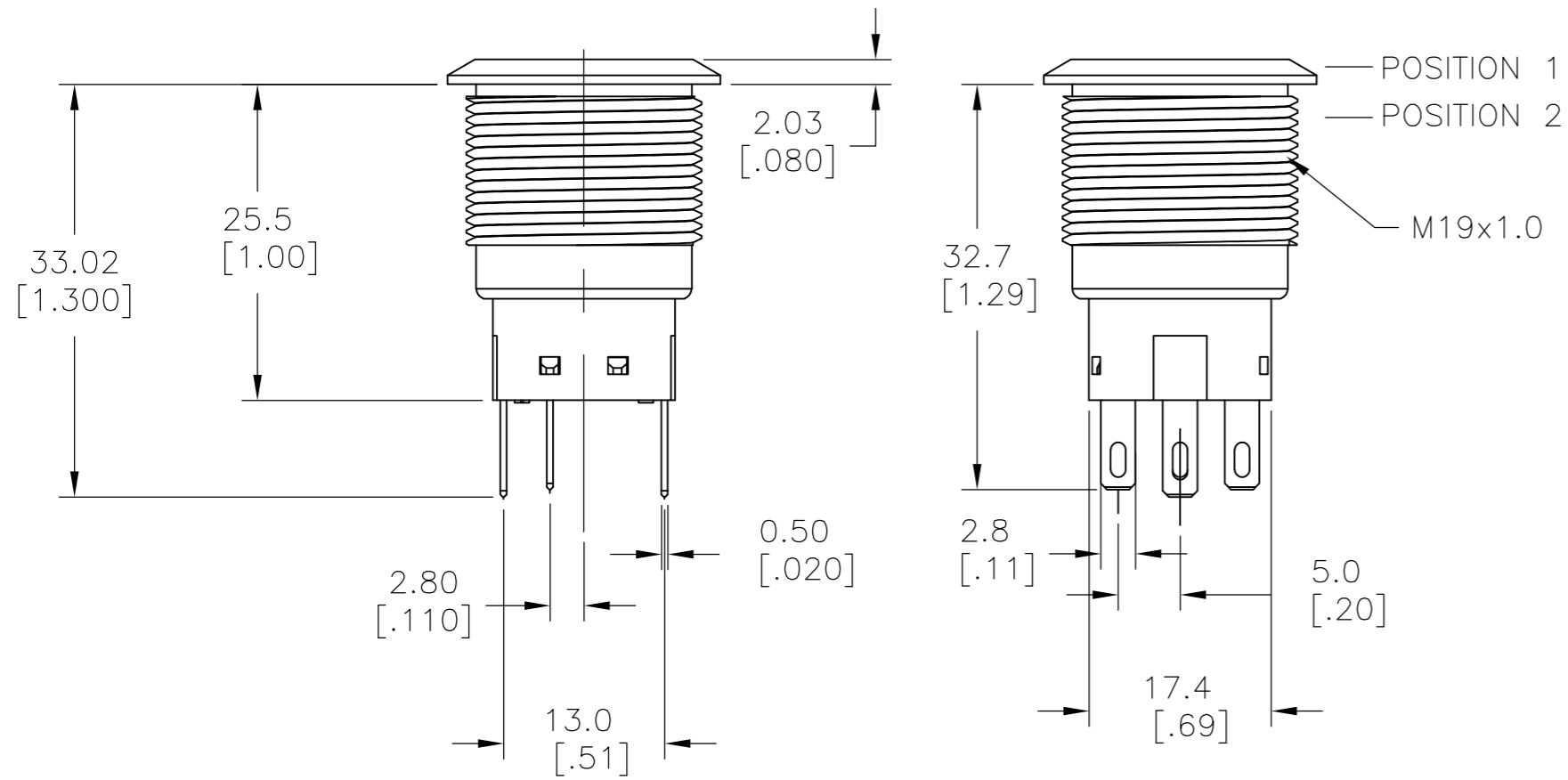
Email & Skype: info@chipsmall.com Web: www.chipsmall.com

Address: A1208, Overseas Decoration Building, #122 Zhenhua RD., Futian, Shenzhen, China



THIS DRAWING IS UNPUBLISHED. RELEASED FOR PUBLICATION
 © COPYRIGHT - By - ALL RIGHTS RESERVED.

LOC		DIST		REVISIONS			
P	LTR	DESCRIPTION	DATE	DWN	APVD		
A		NEW DRAWING	08FEB2016	NK	RH		



SPECIFICATIONS

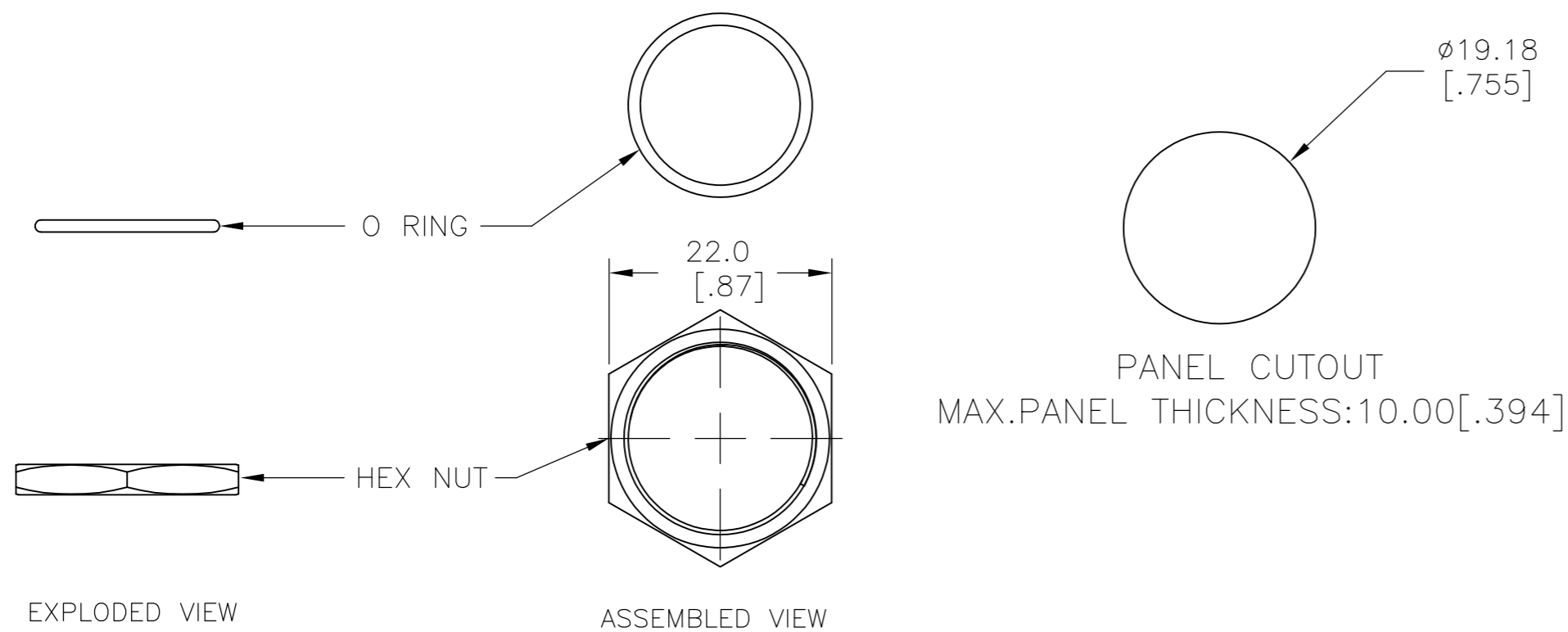
CONTACT RATING: SILVER: 3A @ 250 VAC RESISTIVE
 GOLD: 0.4VA @ 20VDC OR PEAK AC
 INSULATION RESISTANCE: 1,000MΩ MIN AT 500VDC
 DIELECTRIC STRENGTH: 2,000V RMS @ SEA LEVEL
 CONTACT RESISTANCE: 50 mΩ MAX @ 1A 12VDC (INITIAL VALUE)
 ELECTRICAL LIFECYCLES: 50,000 MAKE AND BREAK CYCLES AT FULL LOAD

ACTUATION FORCE: SP: 2.5±1 NEWTON, DP: 3.5±1 NEWTON
 ACTUATION TRAVEL: 3.2MM
 SEALED PER IP67, IK10 (STAINLESS)
 OPERATING TEMPERATURE: -20°C TO +55°C
 MECHANICAL LIFECYCLES: MOMENTARY: 1,000,000 CYCLES
 LOCKING: 500,000 CYCLES
 HARDWARE TORQUE: 5-14 N-m

MATERIALS

BUSHING: STAINLESS STEEL
 BASE: PBT (UL 94-V0), PC (UL 94-V2)
 ACTUATOR: STAINLESS STEEL, PC
 SEALING: O-RING (SILICONE)
 TERMINAL/CONTACT: COPPER BASE, SILVER/GOLD PLATED
 HEX NUT: BRASS BASE, NICKEL PLATED

1 ALL MATERIAL AND FINISHES SHALL COMPLY WITH EU DIRECTIVE 2002/95/EC OF 27JAN2003 (ROHS)

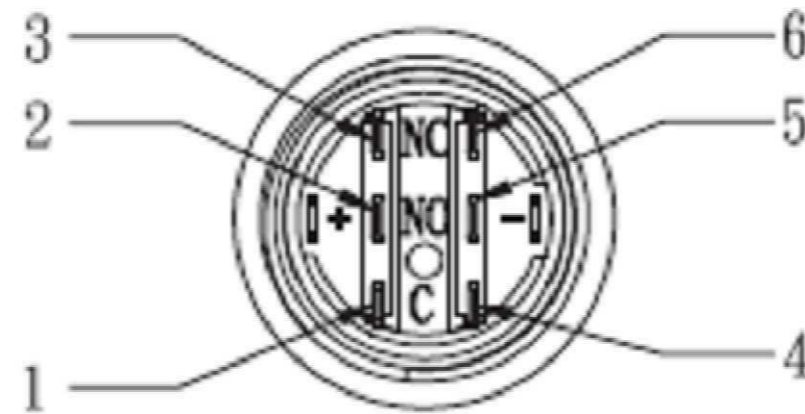
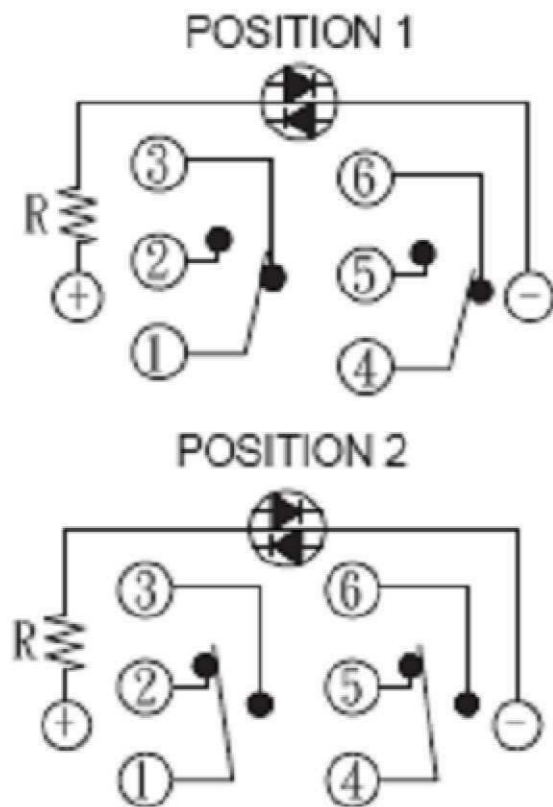
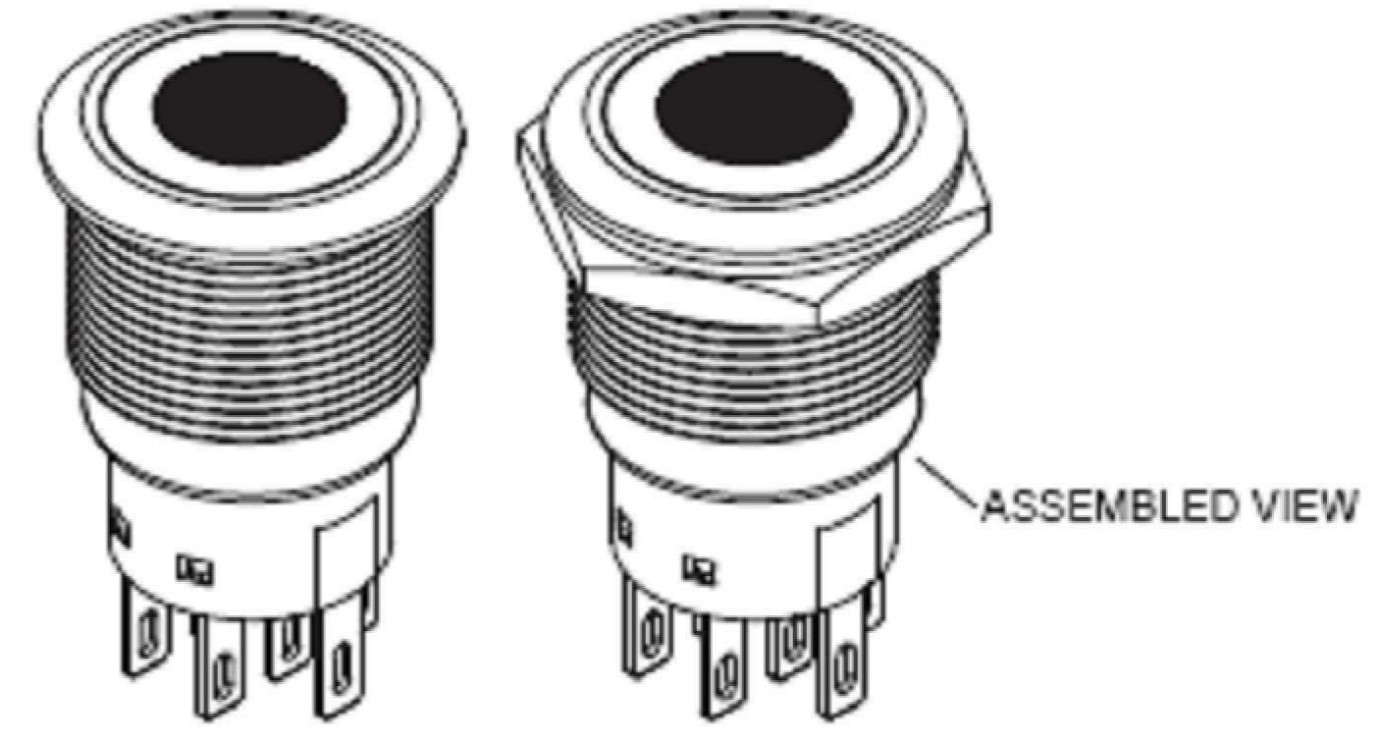
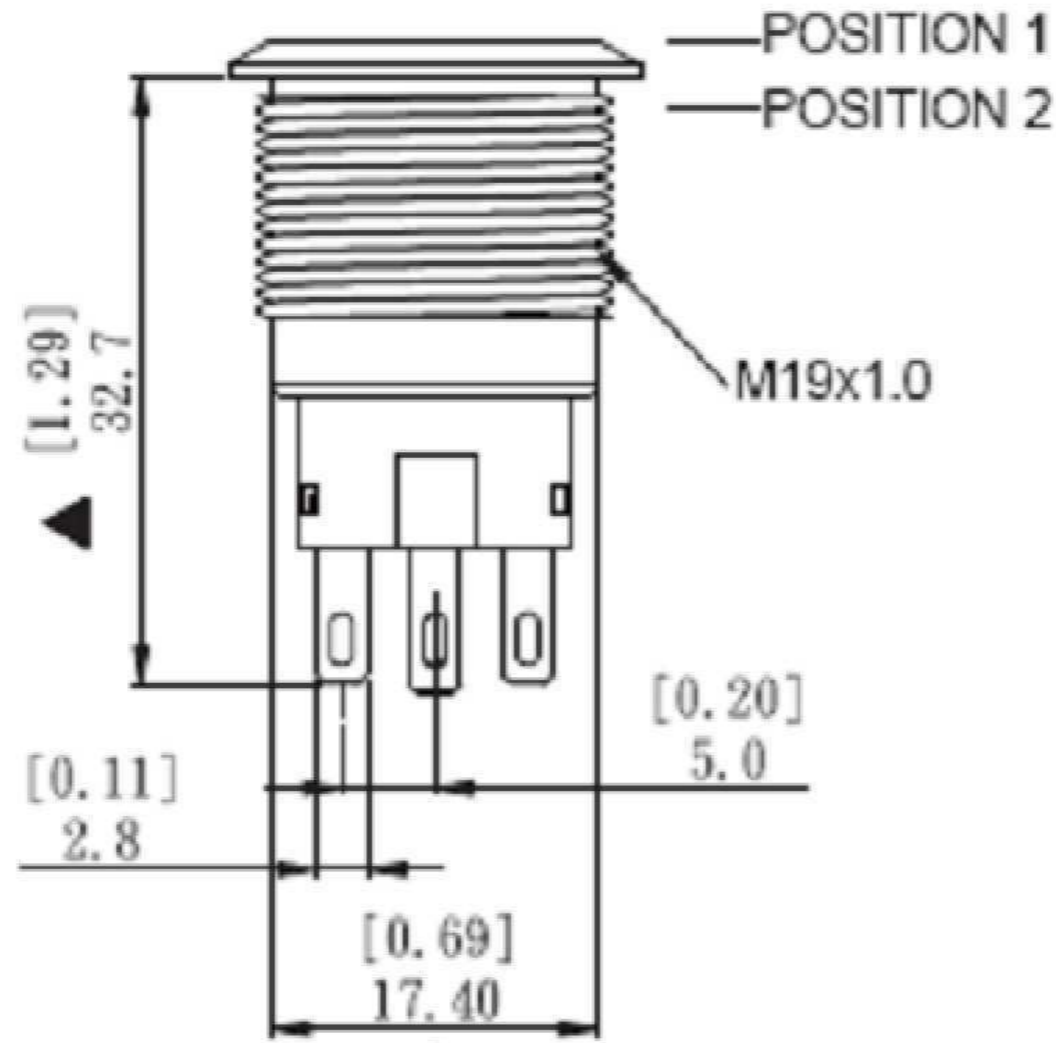
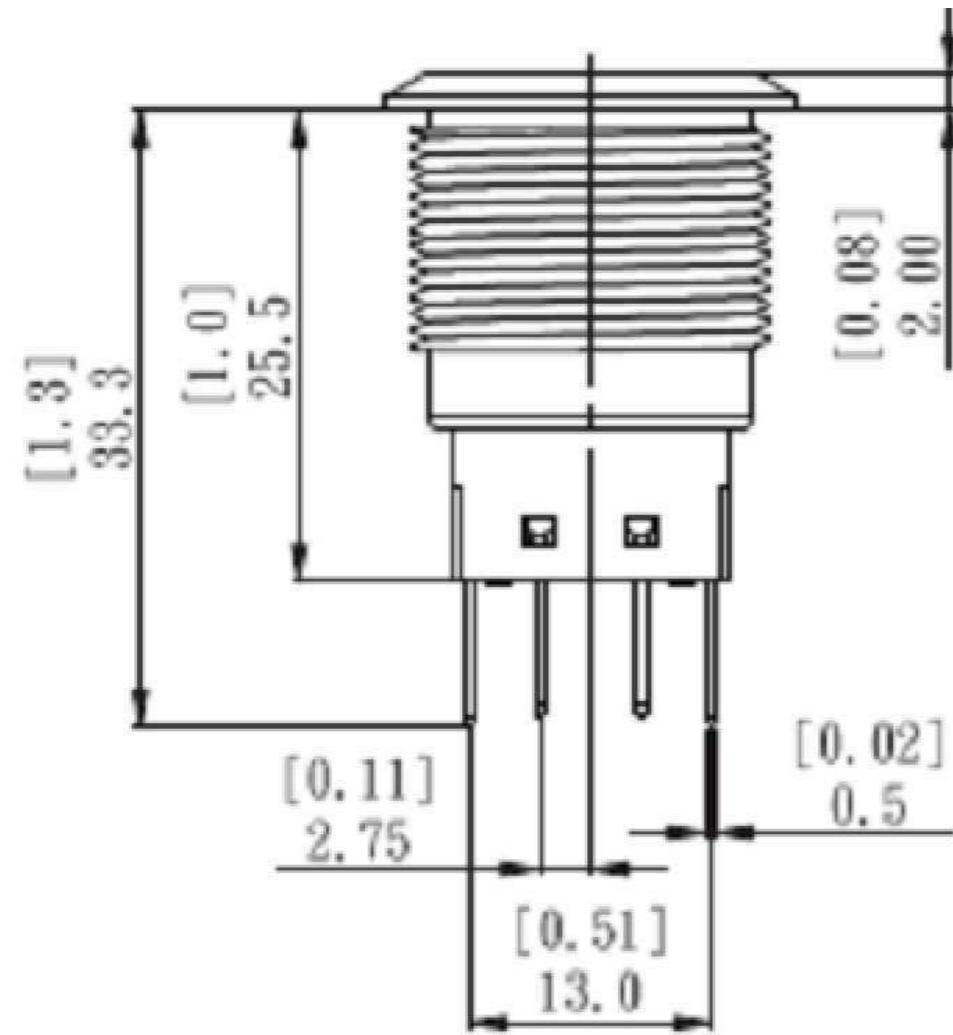


THIS DRAWING IS A CONTROLLED DOCUMENT.		DWN NAGALAKSHMI K 08FEB2016																				
DIMENSIONS: mm [INCHES]		CHK HILL RYAN 08FEB2016																				
TOLERANCES UNLESS OTHERWISE SPECIFIED:		APVD HILL RYAN 08FEB2016	NAME ANTI-VANDAL SWITCH 19mm SPOT LED																			
<table border="1"> <tr><td>0 PLC</td><td>±</td><td>-</td></tr> <tr><td>1 PLC</td><td>±</td><td>-</td></tr> <tr><td>2 PLC</td><td>±</td><td>-</td></tr> <tr><td>3 PLC</td><td>±</td><td>-</td></tr> <tr><td>4 PLC</td><td>±</td><td>-</td></tr> <tr><td>ANGLES</td><td>±</td><td>-</td></tr> </table>		0 PLC	±	-	1 PLC	±	-	2 PLC	±	-	3 PLC	±	-	4 PLC	±	-	ANGLES	±	-	PRODUCT SPEC	SIZE A2	
0 PLC	±	-																				
1 PLC	±	-																				
2 PLC	±	-																				
3 PLC	±	-																				
4 PLC	±	-																				
ANGLES	±	-																				
MATERIAL		APPLICATION SPEC	CAGE CODE 00779	DRAWING NO C=2213765																		
FINISH		WEIGHT	RESTRICTED TO	SCALE 1:1																		
		CUSTOMER DRAWING	SHEET 1 OF 4	REV A																		

2213765

THIS DRAWING IS UNPUBLISHED. RELEASED FOR PUBLICATION
 © COPYRIGHT - By - ALL RIGHTS RESERVED.

LOC		DIST		REVISIONS			
P	LTR	DESCRIPTION	DATE	DWN	APVD		
-	-	SEE SHEET 1	-	-	-		



THIS DRAWING IS A CONTROLLED DOCUMENT.		DWN 08FEB2016 NAGALAKSHMI K	TE TE Connectivity		
DIMENSIONS: mm [INCHES]		CHK 08FEB2016 HILL RYAN			
TOLERANCES UNLESS OTHERWISE SPECIFIED:		APVD 08FEB2016 HILL RYAN	NAME ANTI-VANDAL SWITCH 19mm SPOT LED		
0 PLC ± - 1 PLC ± - 2 PLC ± - 3 PLC ± - 4 PLC ± - ANGLES ± -		PRODUCT SPEC	SIZE A2	CAGE CODE 00779	DRAWING NO C=2213765
MATERIAL		FINISH	WEIGHT	RESTRICTED TO	
			CUSTOMER DRAWING	SCALE 1:1	SHEET 2 of 4

THIS DRAWING IS UNPUBLISHED. RELEASED FOR PUBLICATION
 © COPYRIGHT - By - ALL RIGHTS RESERVED.

LOC		DIST		REVISIONS			
P	LTR	DESCRIPTION		DATE	DWN	APVD	
-	-	SEE SHEET 1		-	-	-	

POLE/THROW	CONTACT	LED COLOR	LED VOLTAGE	TE DESCRIPTIVE PN	TE PART NUMBER
SINGLE POLE-LOCKING	GOLD	BLUE	24V	AV1911D724R04	4-2213765-0
	SILVER	BLUE	24V	AV1911D724Q04	3-2213765-9
	GOLD	BLUE	12V	AV1911D712R04	3-2213765-8
	SILVER	BLUE	12V	AV1911D712Q04	3-2213765-7
	GOLD	GREEN	24V	AV1911D624R04	3-2213765-6
	SILVER	GREEN	24V	AV1911D624Q04	3-2213765-5
	GOLD	GREEN	12V	AV1911D612R04	3-2213765-4
	SILVER	GREEN	12V	AV1911D612Q04	3-2213765-3
	GOLD	YELLOW	24V	AV1911D524R04	3-2213765-2
	SILVER	YELLOW	24V	AV1911D524Q04	3-2213765-1
	GOLD	YELLOW	12V	AV1911D512R04	3-2213765-0
	SILVER	YELLOW	12V	AV1911D512Q04	2-2213765-9
	GOLD	RED	24V	AV1911D324R04	2-2213765-8
	SILVER	RED	24V	AV1911D324Q04	2-2213765-7
	GOLD	RED	12V	AV1911D312R04	2-2213765-6
	SILVER	RED	12V	AV1911D312Q04	2-2213765-5
GOLD	WHITE	24V	AV1911D124R04	2-2213765-4	
SILVER	WHITE	24V	AV1911D124Q04	2-2213765-3	
GOLD	WHITE	12V	AV1911D112R04	2-2213765-2	
SILVER	WHITE	12V	AV1911D112Q04	2-2213765-1	
SINGLE POLE-MOMENTARY	GOLD	BLUE	24V	AV1910D724R04	2-2213765-0
	SILVER	BLUE	24V	AV1910D724Q04	1-2213765-9
	GOLD	BLUE	12V	AV1910D712R04	1-2213765-8
	SILVER	BLUE	12V	AV1910D712Q04	1-2213765-7
	GOLD	GREEN	24V	AV1910D624R04	1-2213765-6
	SILVER	GREEN	24V	AV1910D624Q04	1-2213765-5
	GOLD	GREEN	12V	AV1910D612R04	1-2213765-4
	SILVER	GREEN	12V	AV1910D612Q04	1-2213765-3
	GOLD	YELLOW	24V	AV1910D524R04	1-2213765-2
	SILVER	YELLOW	24V	AV1910D524Q04	1-2213765-1
	GOLD	YELLOW	12V	AV1910D512R04	1-2213765-0
	SILVER	YELLOW	12V	AV1910D512Q04	2213765-9
	GOLD	RED	24V	AV1910D324R04	2213765-8
	SILVER	RED	24V	AV1910D324Q04	2213765-7
	GOLD	RED	12V	AV1910D312R04	2213765-6
	SILVER	RED	12V	AV1910D312Q04	2213765-5
GOLD	WHITE	24V	AV1910D124R04	2213765-4	
SILVER	WHITE	24V	AV1910D124Q04	2213765-3	
GOLD	WHITE	12V	AV1910D112R04	2213765-2	
SILVER	WHITE	12V	AV1910D112Q04	2213765-1	

THIS DRAWING IS A CONTROLLED DOCUMENT.		DWN 08FEB2016 NAGALAKSHMI K	STE TE Connectivity	
DIMENSIONS: mm [INCHES]		CHK 08FEB2016 HILL RYAN		
TOLERANCES UNLESS OTHERWISE SPECIFIED:		APVD 08FEB2016 HILL RYAN	NAME ANTI-VANDAL SWITCH 19mm SPOT LED	
0 PLC ± - 1 PLC ± - 2 PLC ± - 3 PLC ± - 4 PLC ± - ANGLES ± -		PRODUCT SPEC	SIZE CAGE CODE DRAWING NO RESTRICTED TO	
MATERIAL FINISH		APPLICATION SPEC	A2 00779 C=2213765	
		WEIGHT	SCALE 1:1 SHEET 3 OF 4 REV A	
		CUSTOMER DRAWING		

THIS DRAWING IS UNPUBLISHED. RELEASED FOR PUBLICATION
 © COPYRIGHT - By - ALL RIGHTS RESERVED.

Loc		DIST		REVISIONS			
P	LTR	DESCRIPTION		DATE	DWN	APVD	
-	-	SEE SHEET 1		-	-	-	

POLE/THROW	CONTACT	LED COLOR	LED VOLTAGE	TE DESCRIPTIVE PN	TE PART NUMBER					
DOUBLE POLE-LOCKING						GOLD	BLUE	24V	AV1921D724R04	8-2213765-0
						SILVER	BLUE	24V	AV1921D724Q04	7-2213765-9
						GOLD	BLUE	12V	AV1921D712R04	7-2213765-8
						SILVER	BLUE	12V	AV1921D712Q04	7-2213765-7
						GOLD	GREEN	24V	AV1921D624R04	7-2213765-6
						SILVER	GREEN	24V	AV1921D624Q04	7-2213765-5
						GOLD	GREEN	12V	AV1921D612R04	7-2213765-4
						SILVER	GREEN	12V	AV1921D612Q04	7-2213765-3
						GOLD	YELLOW	24V	AV1921D524R04	7-2213765-2
						SILVER	YELLOW	24V	AV1921D524Q04	7-2213765-1
						GOLD	YELLOW	12V	AV1921D512R04	7-2213765-0
						SILVER	YELLOW	12V	AV1921D512Q04	6-2213765-9
						GOLD	RED	24V	AV1921D324R04	6-2213765-8
						SILVER	RED	24V	AV1921D324Q04	6-2213765-7
						GOLD	RED	12V	AV1921D312R04	6-2213765-6
						SILVER	RED	12V	AV1921D312Q04	6-2213765-5
						GOLD	WHITE	24V	AV1921D124R04	6-2213765-4
						SILVER	WHITE	24V	AV1921D124Q04	6-2213765-3
						GOLD	WHITE	12V	AV1921D112R04	6-2213765-2
						SILVER	WHITE	12V	AV1921D112Q04	6-2213765-1
DOUBLE POLE-MOMENTARY						GOLD	BLUE	24V	AV1920D724R04	6-2213765-0
						SILVER	BLUE	24V	AV1920D724Q04	5-2213765-9
						GOLD	BLUE	12V	AV1920D712R04	5-2213765-8
						SILVER	BLUE	12V	AV1920D712Q04	5-2213765-7
						GOLD	GREEN	24V	AV1920D624R04	5-2213765-6
						SILVER	GREEN	24V	AV1920D624Q04	5-2213765-5
						GOLD	GREEN	12V	AV1920D612R04	5-2213765-4
						SILVER	GREEN	12V	AV1920D612Q04	5-2213765-3
						GOLD	YELLOW	24V	AV1920D524R04	5-2213765-2
						SILVER	YELLOW	24V	AV1920D524Q04	5-2213765-1
						GOLD	YELLOW	12V	AV1920D512R04	5-2213765-0
						SILVER	YELLOW	12V	AV1920D512Q04	4-2213765-9
						GOLD	RED	24V	AV1920D324R04	4-2213765-8
						SILVER	RED	24V	AV1920D324Q04	4-2213765-7
						GOLD	RED	12V	AV1920D312R04	4-2213765-6
						SILVER	RED	12V	AV1920D312Q04	4-2213765-5
						GOLD	WHITE	24V	AV1920D124R04	4-2213765-4
						SILVER	WHITE	24V	AV1920D124Q04	4-2213765-3
						GOLD	WHITE	12V	AV1920D112R04	4-2213765-2
						SILVER	WHITE	12V	AV1920D112Q04	4-2213765-1

THIS DRAWING IS A CONTROLLED DOCUMENT.		DWN NAGALAKSHMI K 08FEB2016	TE TE Connectivity		
DIMENSIONS: mm [INCHES]		CHK HILL RYAN 08FEB2016			
TOLERANCES UNLESS OTHERWISE SPECIFIED:		APVD HILL RYAN 08FEB2016	NAME ANTI-VANDAL SWITCH 19mm SPOT LED		
0 PLC ± - 1 PLC ± - 2 PLC ± - 3 PLC ± - 4 PLC ± - ANGLES ± -		PRODUCT SPEC APPLICATION SPEC	SIZE A2	CAGE CODE 00779	DRAWING NO C=2213765
MATERIAL	FINISH	WEIGHT	SCALE 1:1	SHEET 4 of 4	REV A
CUSTOMER DRAWING			RESTRICTED TO		