



Chipsmall Limited consists of a professional team with an average of over 10 year of expertise in the distribution of electronic components. Based in Hongkong, we have already established firm and mutual-benefit business relationships with customers from,Europe,America and south Asia,supplying obsolete and hard-to-find components to meet their specific needs.

With the principle of “Quality Parts,Customers Priority,Honest Operation,and Considerate Service”,our business mainly focus on the distribution of electronic components. Line cards we deal with include Microchip,ALPS,ROHM,Xilinx,Pulse,ON,Everlight and Freescale. Main products comprise IC,Modules,Potentiometer,IC Socket,Relay,Connector.Our parts cover such applications as commercial,industrial, and automotives areas.

We are looking forward to setting up business relationship with you and hope to provide you with the best service and solution. Let us make a better world for our industry!



Contact us

Tel: +86-755-8981 8866 Fax: +86-755-8427 6832

Email & Skype: info@chipsmall.com Web: www.chipsmall.com

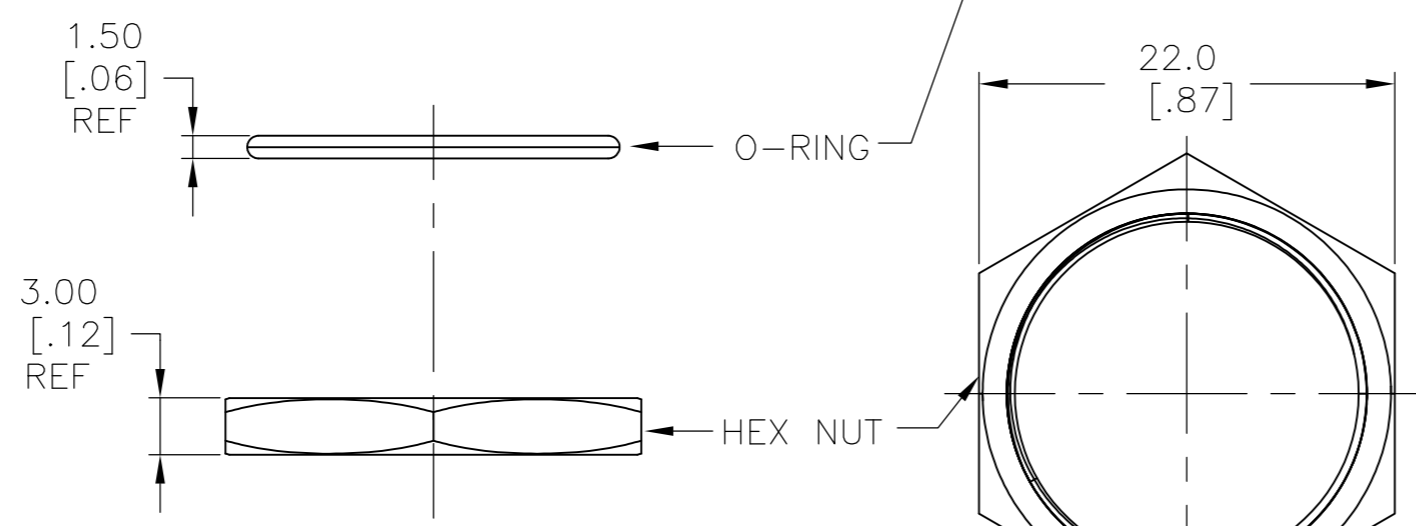
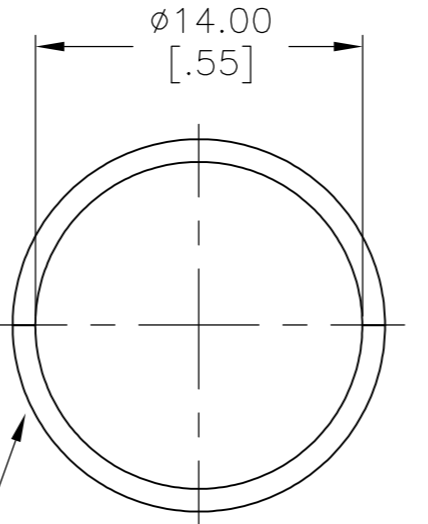
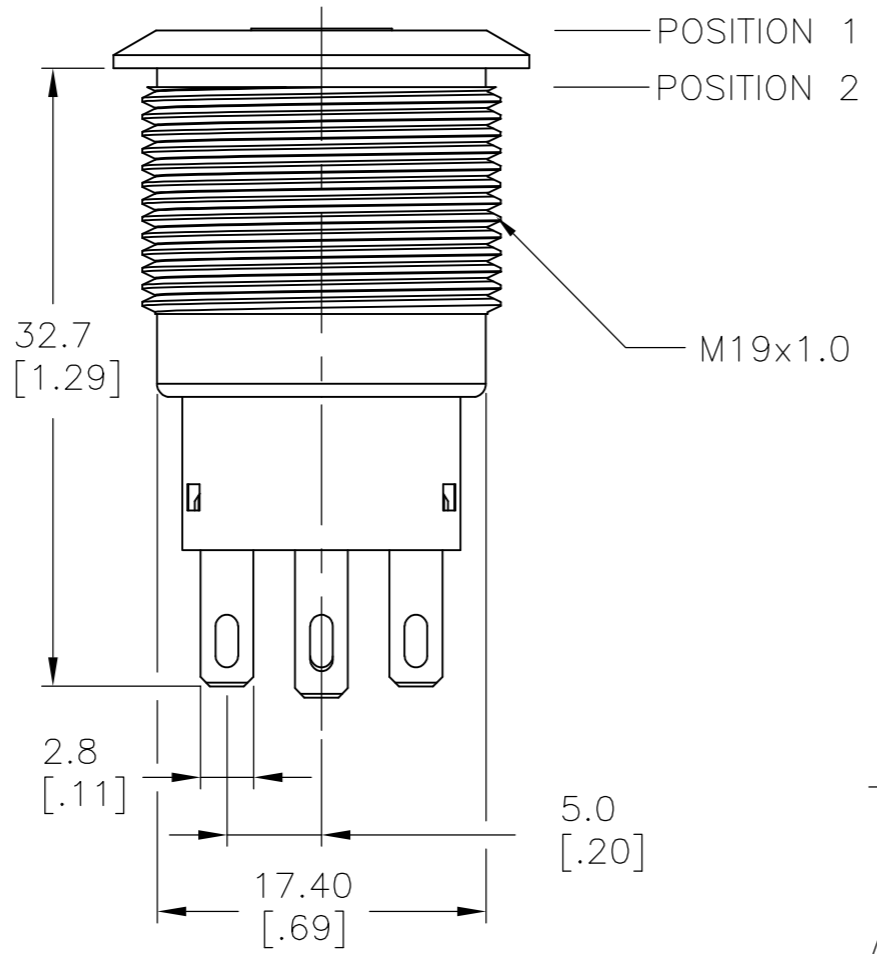
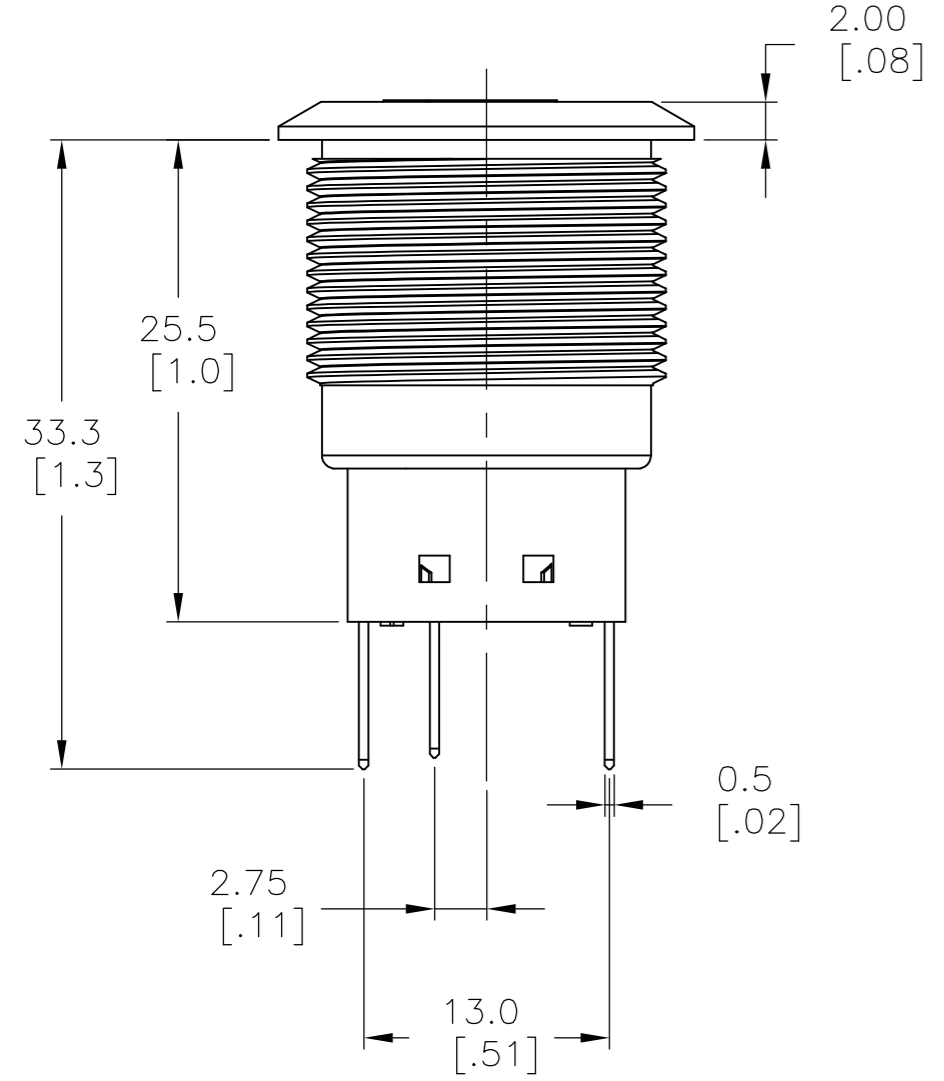
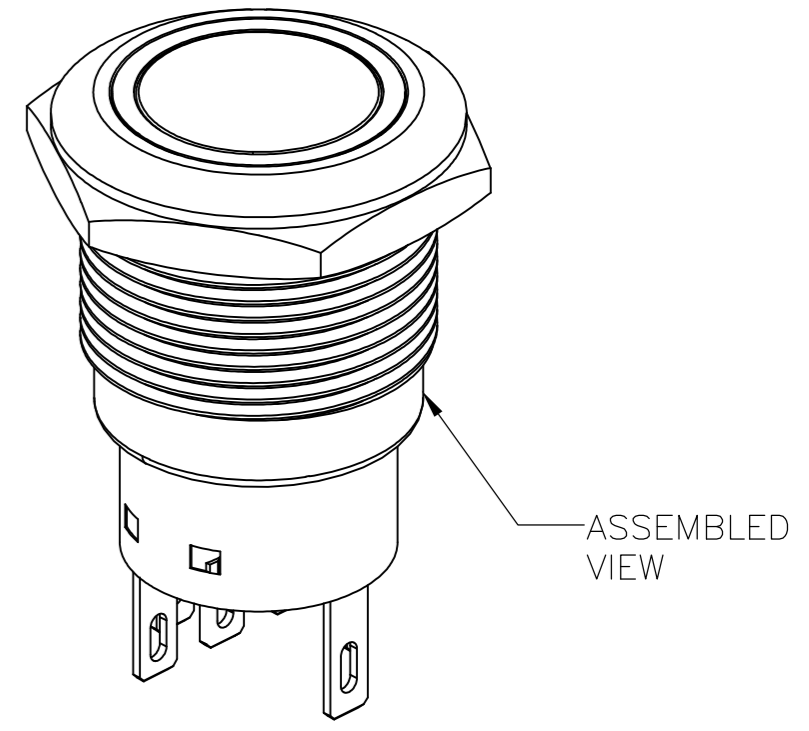
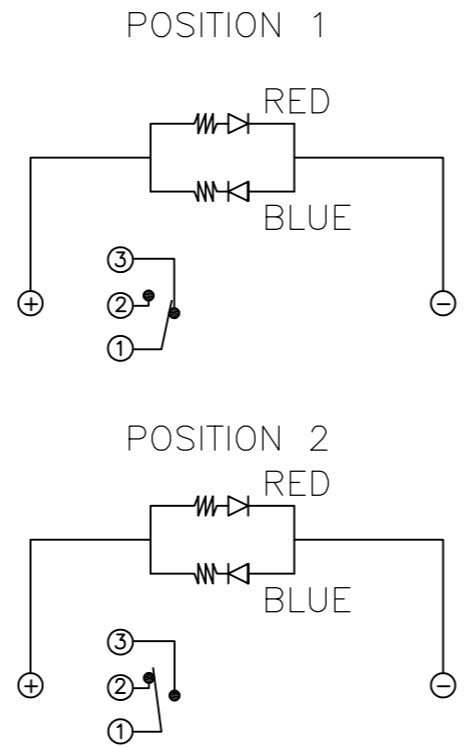
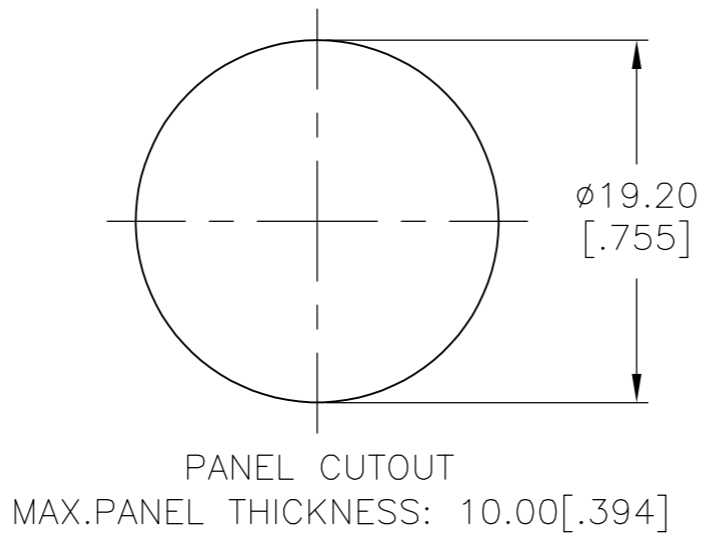
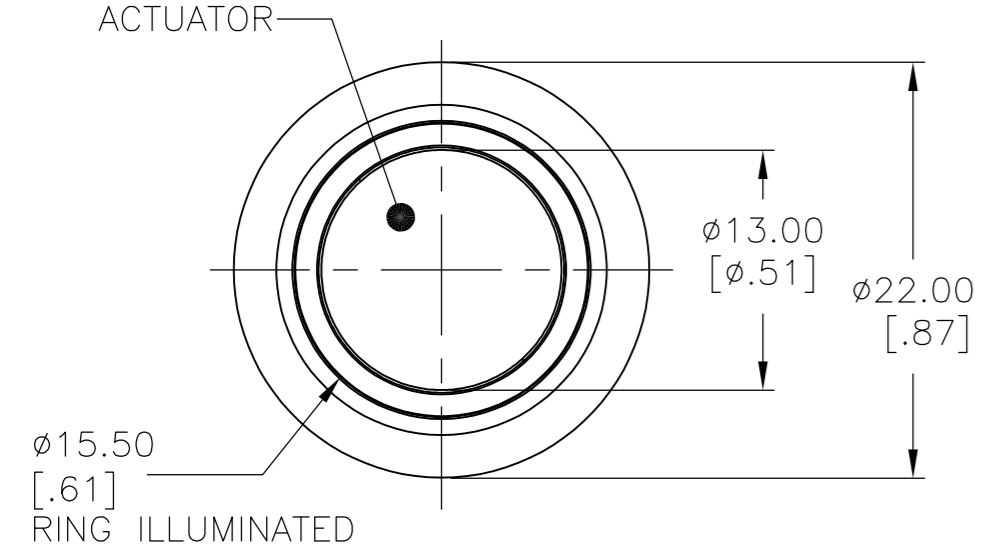
Address: A1208, Overseas Decoration Building, #122 Zhenhua RD., Futian, Shenzhen, China



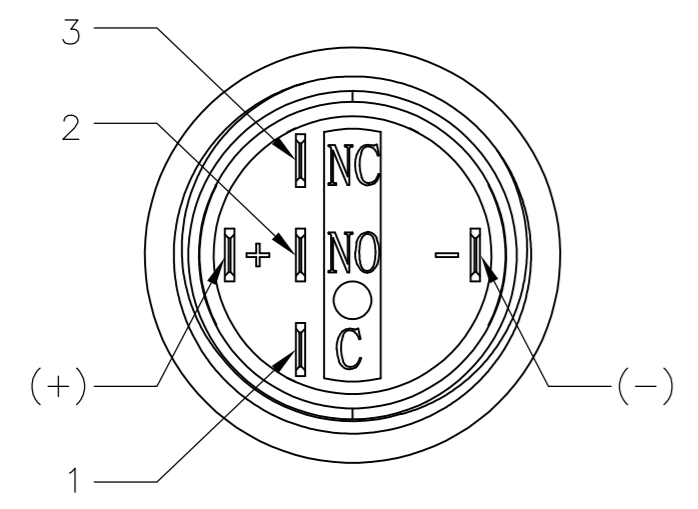
THIS DRAWING IS UNPUBLISHED. RELEASED FOR PUBLICATION
 © COPYRIGHT - By - ALL RIGHTS RESERVED.

REVISIONS					
P	LTR	DESCRIPTION	DATE	DWN	APVD
A		INITIAL RELEASE	13MAR2017	SK	SS

SINGLE POLE SWITCH WITH DUAL COLOR LED's



EXPLODED VIEW



SPECIFICATION:
 CONTACT RATING: SILVER; 3A @ 250VAC RESISTIVE
 GOLD; 0.4A @ 20VDC OR PEAK AC
 INSULATION RESISTANCE: 1,000MΩ MIN AT 500VDC
 DIELECTRIC STRENGTH: 2,000V RMS @ SEA LEVEL
 CONTACT RESISTANCE: 50mΩ MAX @ 1A 12VDC (INITIAL VALUE), SOLDER TERMINALS
 100mΩ MAX @ 1A 12VDC (INITIAL VALUES), FLYING LEADS.
 ELECTRICAL LIFE CYCLES: 50,000 MAKE AND BREAK CYCLES AT FULL LOAD.
 ACTUATION FORCE: SP: 2.5±1 NEWTON. DP: 3.5±1 NEWTON
 ACTUATION TRAVEL: 3.2MM
 SEALED PER IP67, IK10 (STAINLESS)
 OPERATING TEMPERATURE: -20°C TO +55°C
 MECHANICAL LIFECYCLES: MOMENTARY; 1,000,000 CYCLES
 LOCKING; 500,000 CYCLES
 HARDWARE TORQUE: 5-14 N-m.

MATERIALS
 BUSHING: STAINLESS STEEL,
 BASE: PBT (UL 94-V0), PC (UL 94-V2),
 ACTUATOR: STAINLESS STEEL, PC
 SEALING: O-RING (SILICONE),
 TERMINAL/CONTACT: COPPER BASE, SILVER/GOLD PLATED,
 HEX NUT: BRASS BASE, NICKEL PLATED,
 WIRE:UL3385.

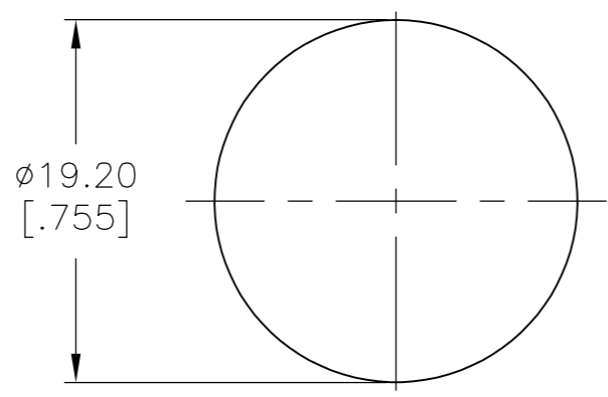
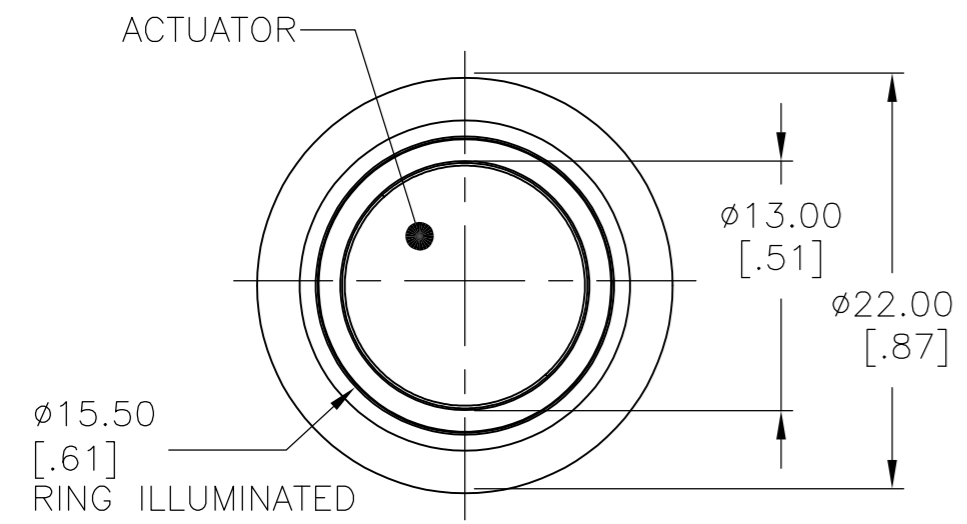
1. ALL MATERIAL AND FINISHES SHALL COMPLY WITH EU DIRECTIVE 2002/95/EC OF 27JAN2003(ROHS).

THIS DRAWING IS A CONTROLLED DOCUMENT.		DWN SHIVAKUMAR S S 13MAR2017		
DIMENSIONS: mm [INCHES]		CHK SANJAY SHINDIKAR 13MAR2017		
TOLERANCES UNLESS OTHERWISE SPECIFIED:		APVD SANJAY SHINDIKAR 13MAR2017	NAME ANTI-VANDAL SWITCH 19mm DUAL COLOR LED, FLYING LEADS WITH MOVING RING	
0 PLC ± - 1 PLC ± 0.4[016] 2 PLC ± 0.25[010] 3 PLC ± - 4 PLC ± - ANGLES ± 2°		PRODUCT SPEC	RESTRICTED TO	
MATERIAL		APPLICATION SPEC	SIZE A2	CAGE CODE 00779
FINISH		WEIGHT 0	DRAWING NO C=2316531	SCALE 1:1
		CUSTOMER DRAWING	SHEET 1 of 5	REV A

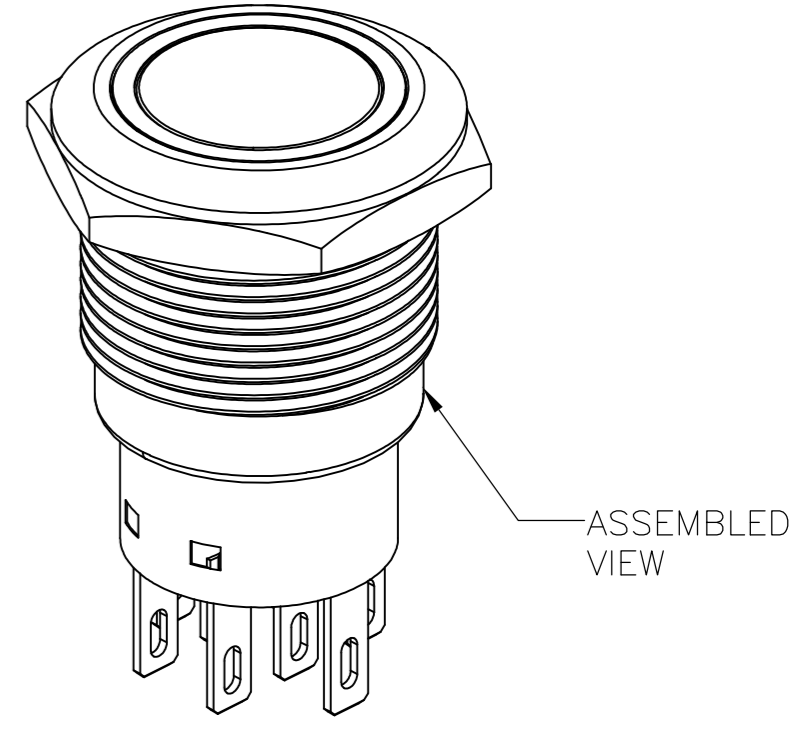
THIS DRAWING IS UNPUBLISHED. RELEASED FOR PUBLICATION
 © COPYRIGHT - By - ALL RIGHTS RESERVED.

REVISIONS					
P	LTR	DESCRIPTION	DATE	DWN	APVD
-	-	SEE SHEET 1	-	-	-

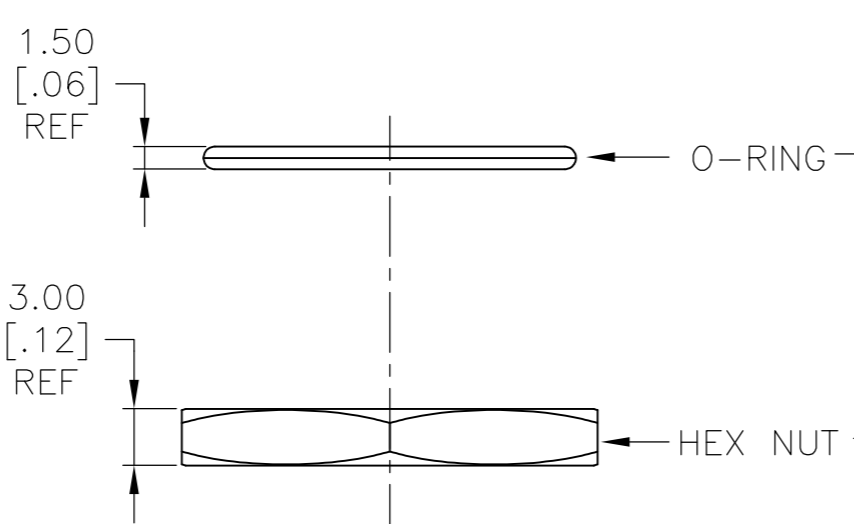
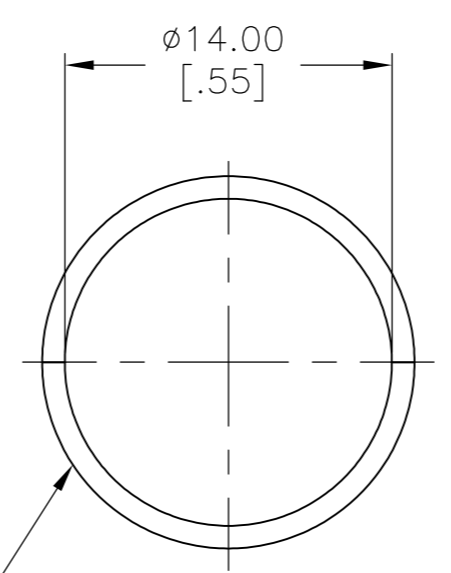
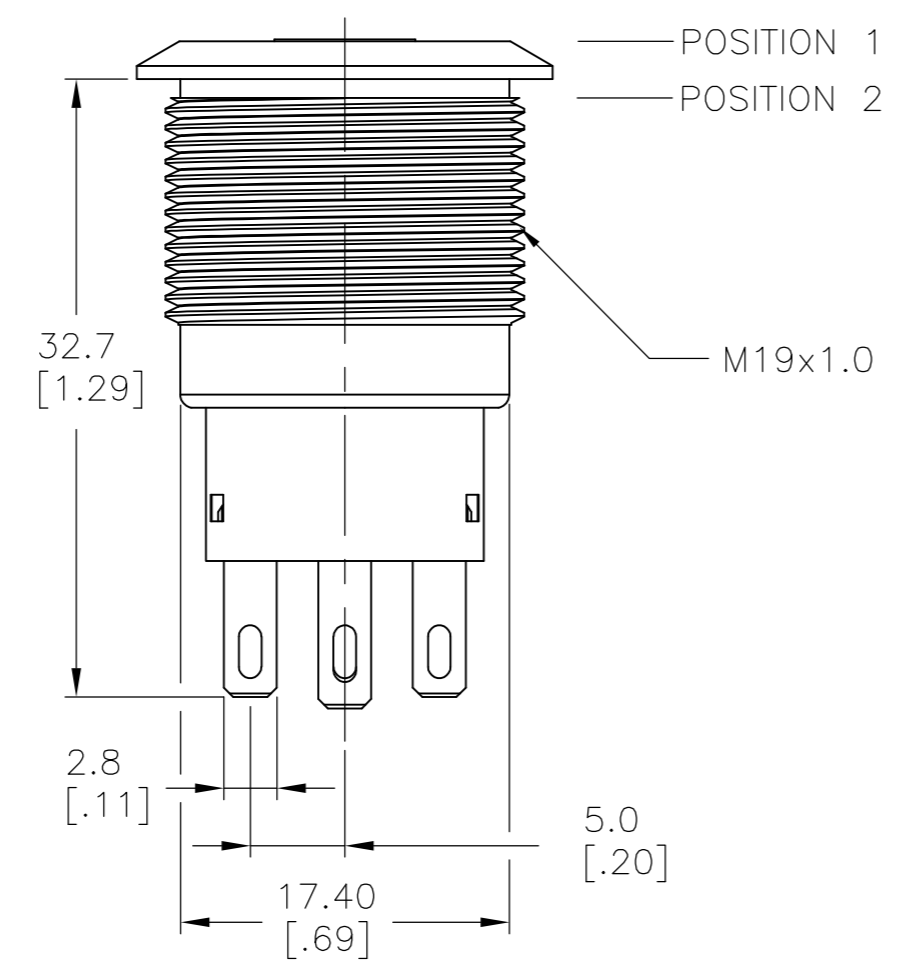
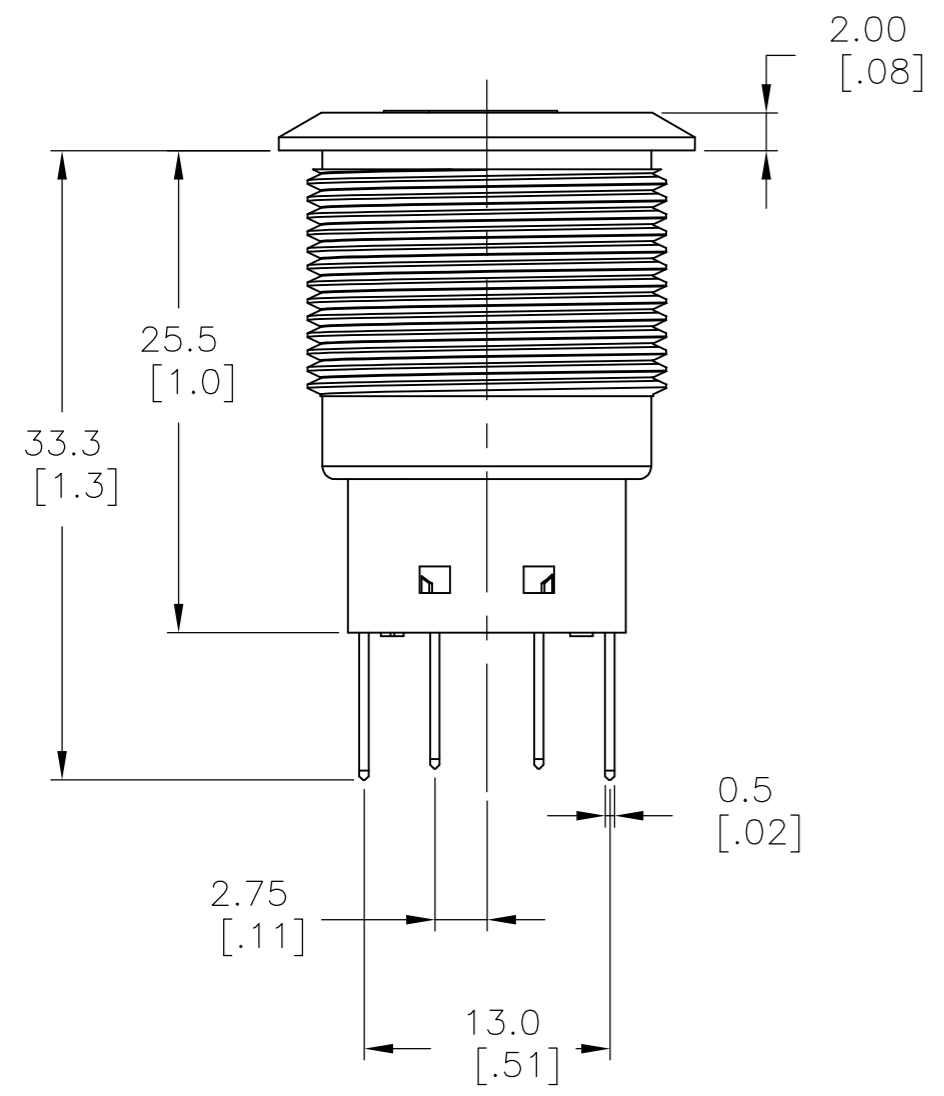
DOUBLE POLE SWITCH WITH DUAL COLOR LED'S



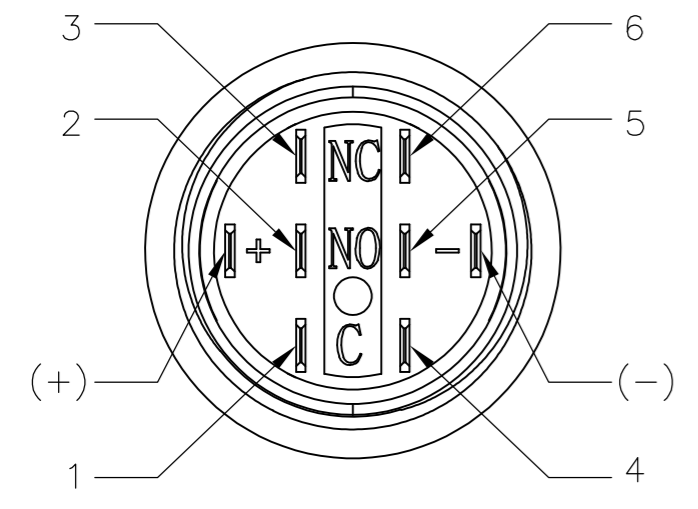
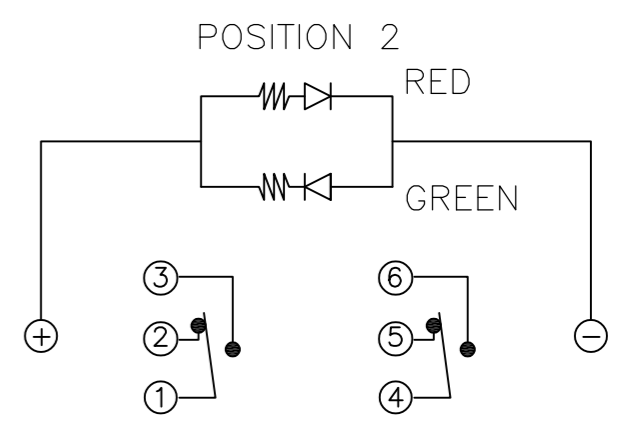
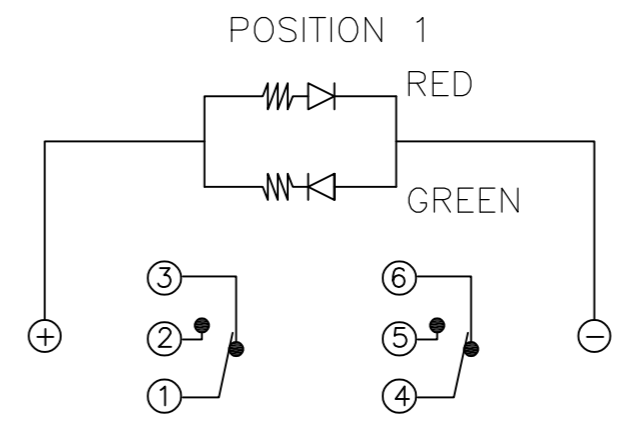
PANEL CUTOUT
 MAX.PANEL THICKNESS: 10.00[.394]



ASSEMBLED VIEW



EXPLODED VIEW

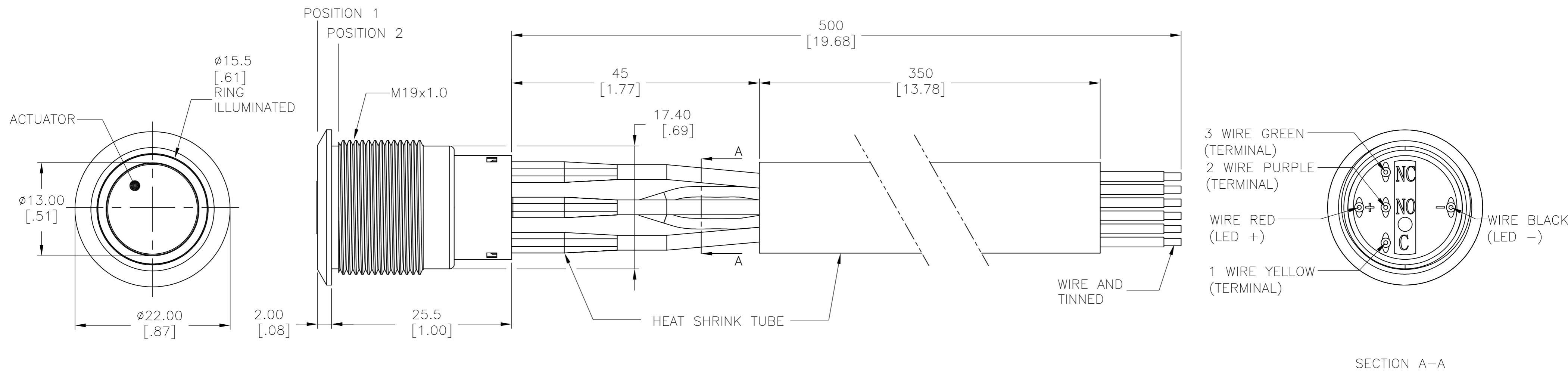


THIS DRAWING IS A CONTROLLED DOCUMENT.		DWN 13MAR2017 SHIVAKUMAR S S		
DIMENSIONS: mm [INCHES]		CHK 13MAR2017 SANJAY SHINDIKAR		
TOLERANCES UNLESS OTHERWISE SPECIFIED:		APVD 13MAR2017 SANJAY SHINDIKAR	NAME ANTI-VANDAL SWITCH 19mm DUAL COLOR LED, FLYING LEADS WITH MOVING RING	
0 PLC ± -		PRODUCT SPEC	SIZE CAGE CODE DRAWING NO RESTRICTED TO	
1 PLC ± 0.4[.016]		APPLICATION SPEC	A2 00779 C=2316531 -	
2 PLC ± 0.25[.010]		WEIGHT 0	SCALE 1:1 SHEET 2 of 5 REV A	
3 PLC ± -		CUSTOMER DRAWING		
4 PLC ± -				
ANGLES ± 2°				
FINISH -				

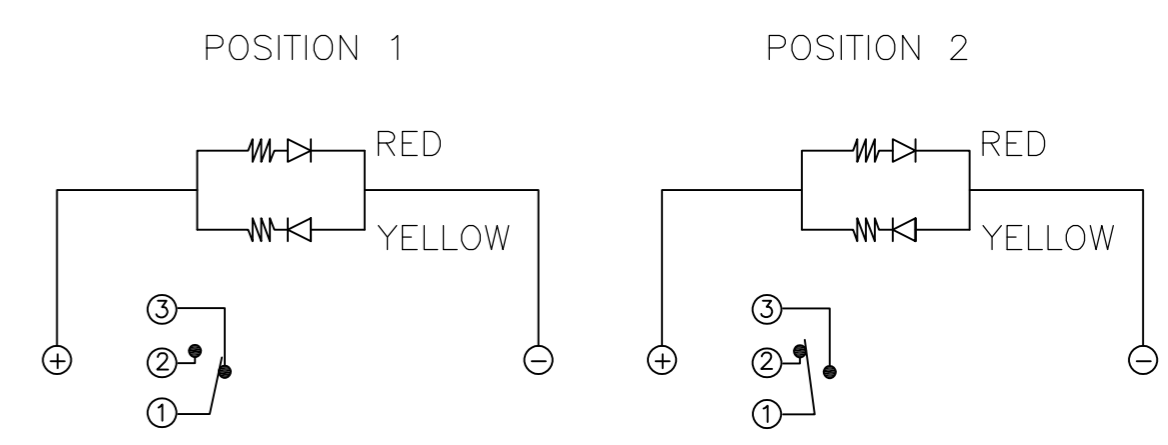
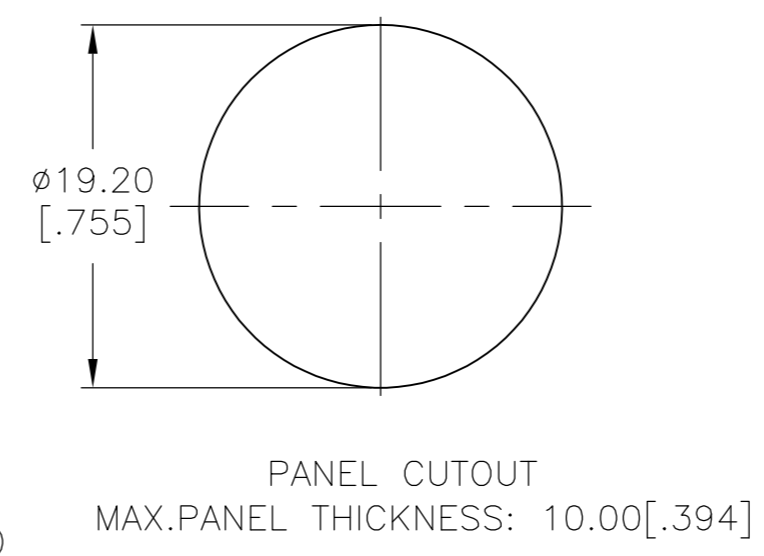
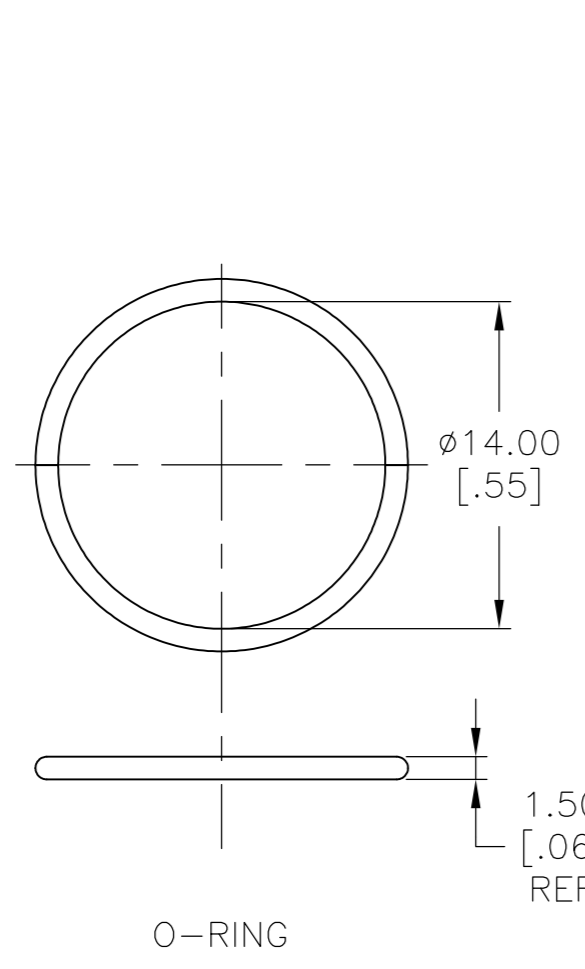
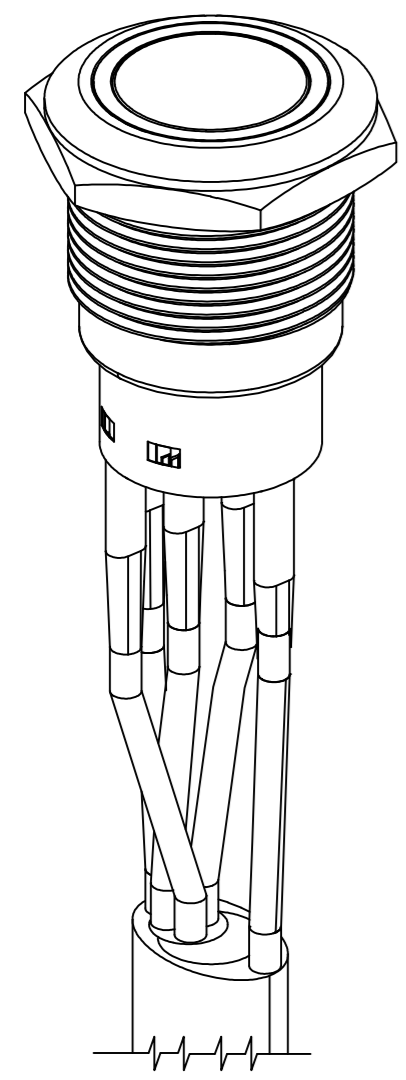
THIS DRAWING IS UNPUBLISHED. RELEASED FOR PUBLICATION
 © COPYRIGHT - By - ALL RIGHTS RESERVED.

REVISIONS					
P	LTR	DESCRIPTION	DATE	DWN	APVD
-	-	SEE SHEET 1	-	-	-

SINGLE POLE SWITCH WITH DUAL COLOR LED'S AND FLYING LEADS



WIRE=18AWG, 300V(BLACK,YELLOW/GREEN/RED/PURPLE)

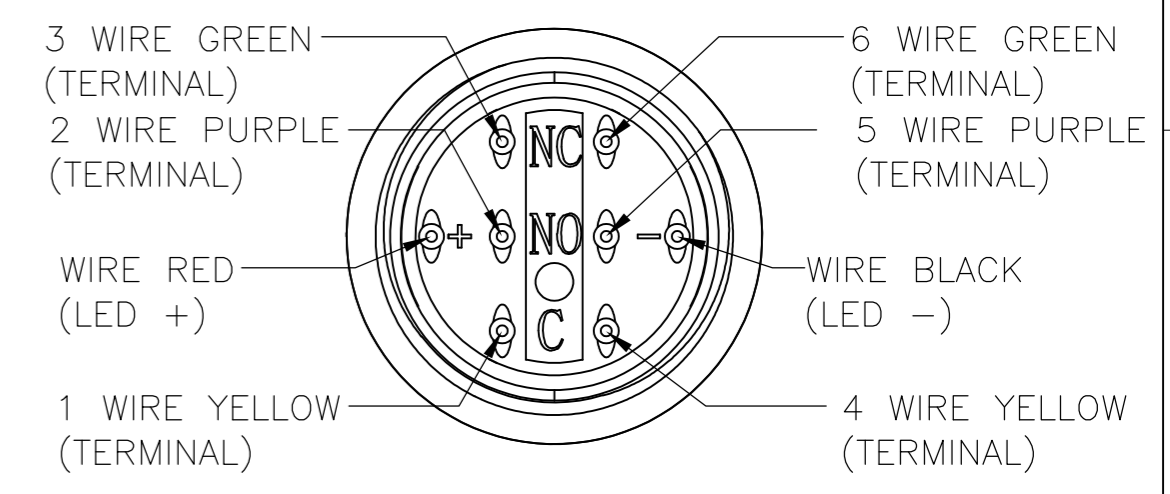
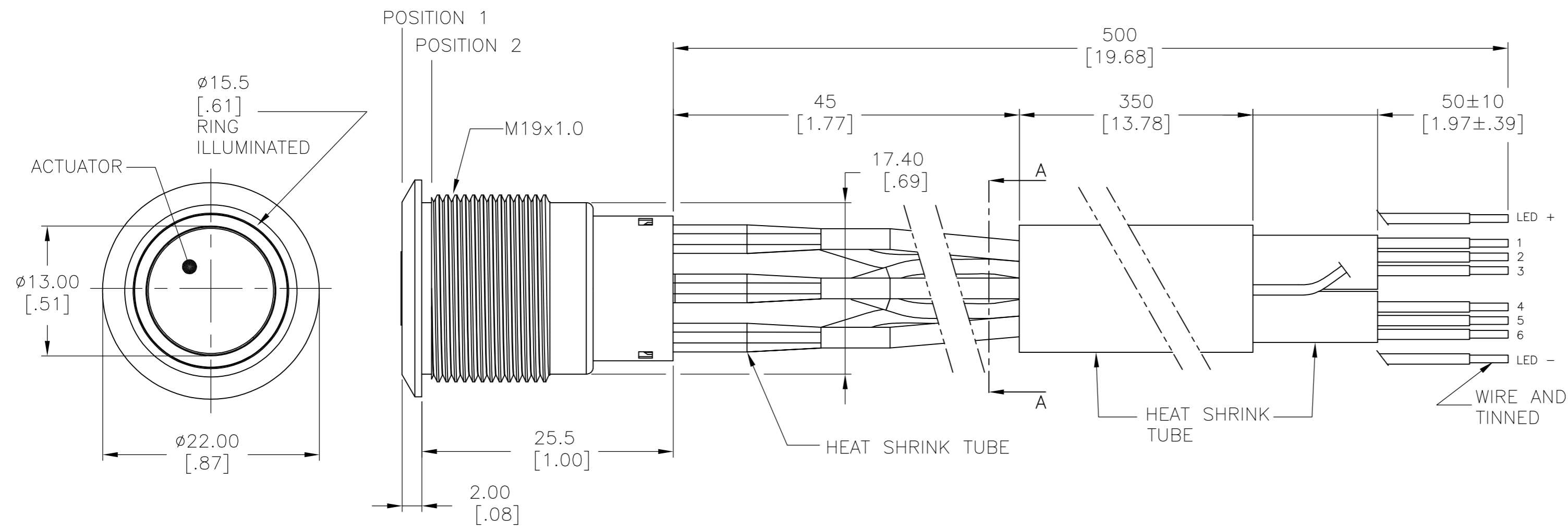


THIS DRAWING IS A CONTROLLED DOCUMENT.		DWN 13MAR2017 SHIVAKUMAR S S	TE TE Connectivity		
DIMENSIONS: mm [INCHES]		CHK 13MAR2017 SANJAY SHINDIKAR			
TOLERANCES UNLESS OTHERWISE SPECIFIED:		APVD 13MAR2017 SANJAY SHINDIKAR	NAME ANTI-VANDAL SWITCH 19mm DUAL COLOR LED, FLYING LEADS WITH MOVING RING		
0 PLC ± - 1 PLC ± 0.4[.016] 2 PLC ± 0.25[.010] 3 PLC ± - 4 PLC ± - ANGLES ± 2°		PRODUCT SPEC APPLICATION SPEC	SIZE A2	CAGE CODE 00779	DRAWING NO C=2316531
MATERIAL -		FINISH -	WEIGHT 0	RESTRICTED TO -	SCALE 1:1
CUSTOMER DRAWING			SHEET 3 OF 5	REV A	

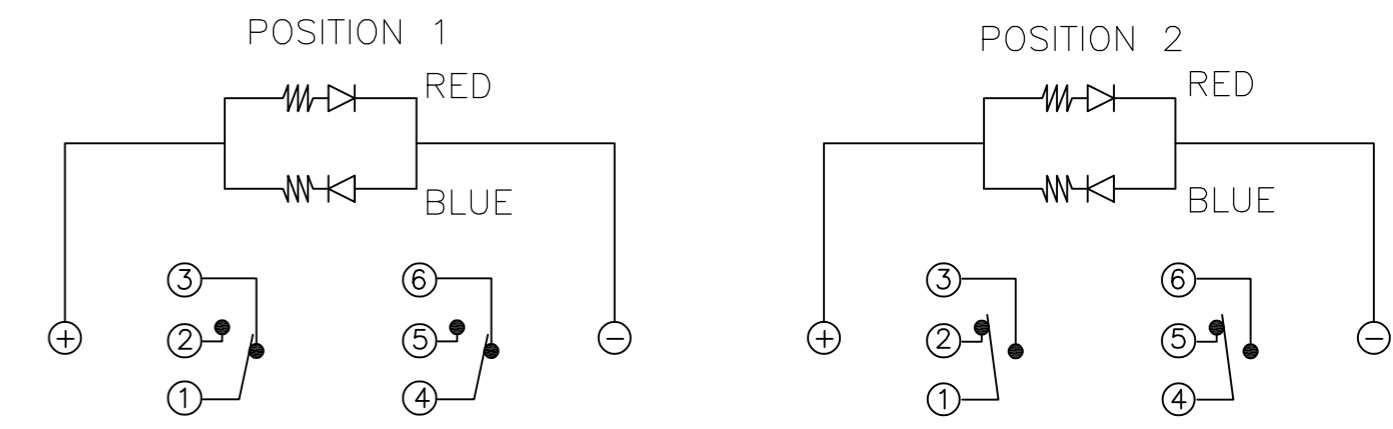
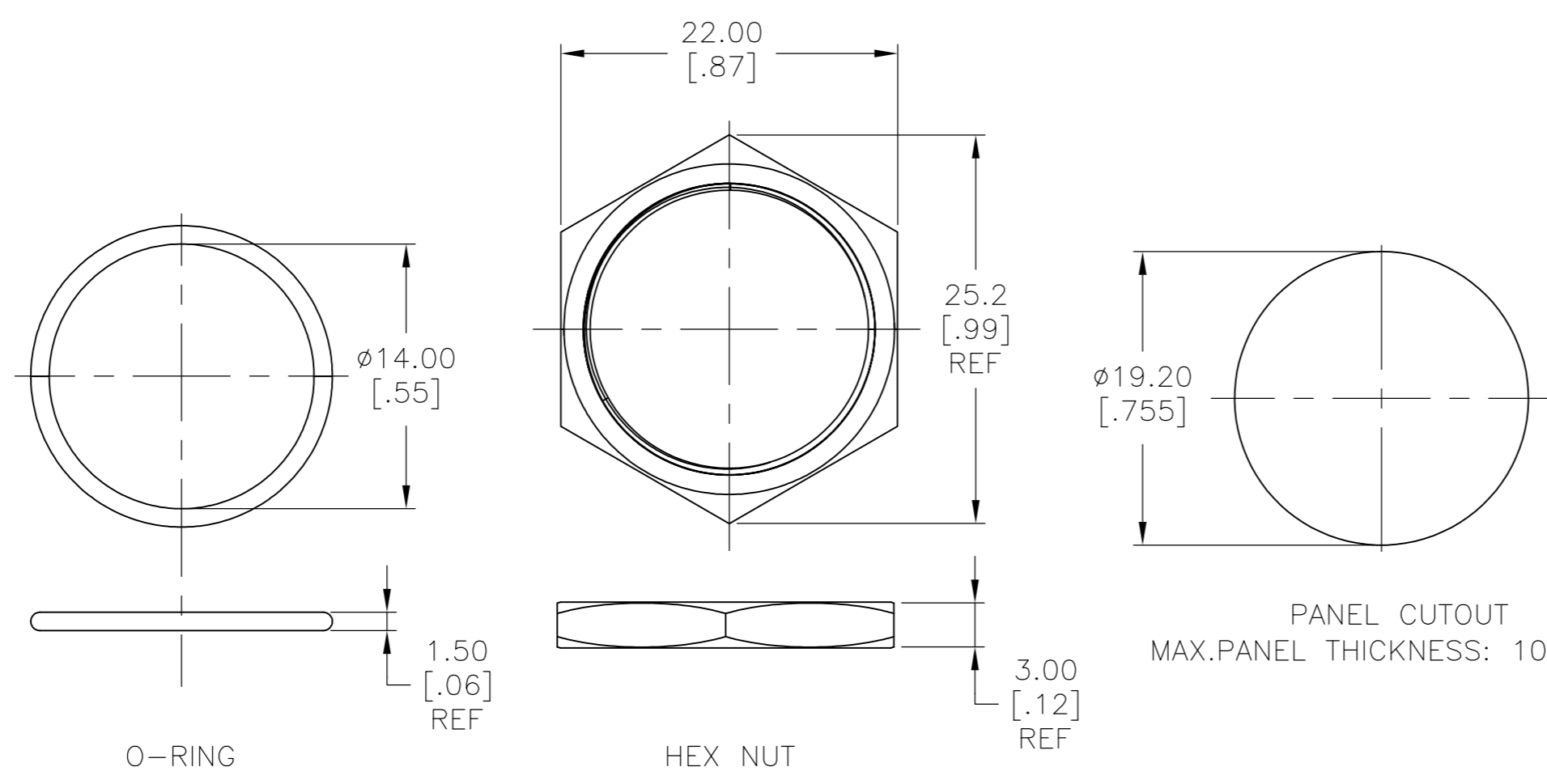
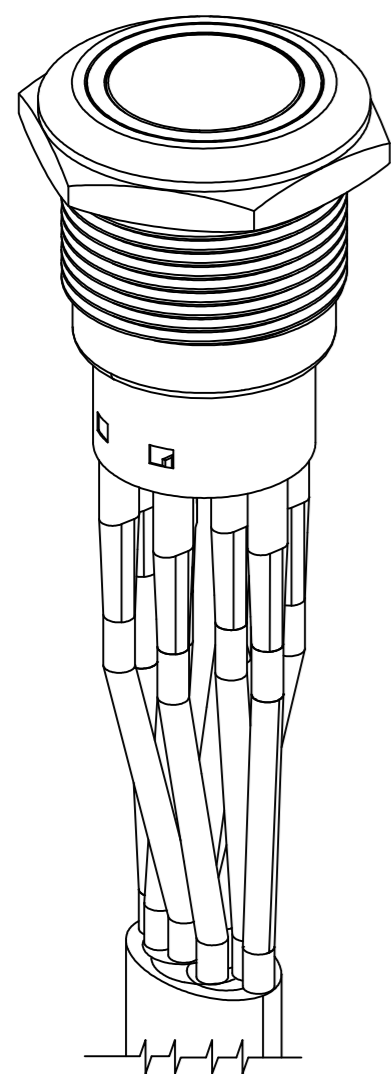
THIS DRAWING IS UNPUBLISHED. RELEASED FOR PUBLICATION
 © COPYRIGHT - By - ALL RIGHTS RESERVED.

REVISIONS					
P	LTR	DESCRIPTION	DATE	DWN	APVD
-	-	SEE SHEET 1	-	-	-

DOUBLE POLE SWITCH WITH DUAL COLOR LED'S AND FLYING LEADS



WIRE=18AWG, 300V(BLACK,YELLOW/GREEN/RED/PURPLE)



THIS DRAWING IS A CONTROLLED DOCUMENT.		DWN	13MAR2017	STE TE Connectivity	
		SHIVAKUMAR S S	13MAR2017		
DIMENSIONS: mm [INCHES]		CHK	13MAR2017	NAME ANTI-VANDAL SWITCH 19mm DUAL COLOR LED, FLYING LEADS WITH MOVING RING	
TOLERANCES UNLESS OTHERWISE SPECIFIED:		SANJAY SHINDIKAR	13MAR2017		
0 PLC ± -		APVD	13MAR2017	SIZE	
1 PLC ± 0.4[.016]		SANJAY SHINDIKAR	13MAR2017		
2 PLC ± 0.25[.010]		PRODUCT SPEC	-	DRAWING NO	
3 PLC ± -		APPLICATION SPEC	-		
4 PLC ± -		WEIGHT	0	SCALE	
ANGLES ± 2°		FINISH	-		
MATERIAL		CUSTOMER DRAWING		4 OF 5	
FINISH		SCALE 1:1			
		A2 00779 C=2316531		A	

THIS DRAWING IS UNPUBLISHED. RELEASED FOR PUBLICATION
 © COPYRIGHT - By - ALL RIGHTS RESERVED.

REVISIONS					
P	LTR	DESCRIPTION	DATE	DWN	APVD
-	-	SEE SHEET 1	-	-	-

CONTACT PLATING	LIGHT TYPE	TERMINAL OPTION	POLE/THROW	LED COLOR	LED VOLTAGE	TE DESCRIPTIVE PART NUMBER	TE PART NUMBER
SILVER	MOVING RING	FLYING LEAD TERMINALS	DOUBLE POLE - MOMENTARY	RED & YELLOW	24	AV1920EG24T5Q04	4-2316531-7
					12	AV1920EG12T5Q04	4-2316531-6
				RED & BLUE	24	AV1920EB24T5Q04	4-2316531-5
					12	AV1920EB12T5Q04	4-2316531-4
				RED & GREEN	24	AV1920EA24T5Q04	4-2316531-3
					12	AV1920EA12T5Q04	4-2316531-2
			SINGLE POLE - LOCKING	RED & YELLOW	24	AV1911EG24T5Q04	4-2316531-1
					12	AV1911EG12T5Q04	4-2316531-0
				RED & BLUE	24	AV1911EB24T5Q04	3-2316531-9
					12	AV1911EB12T5Q04	3-2316531-8
				RED & GREEN	24	AV1911EA24T5Q04	3-2316531-7
					12	AV1911EA12T5Q04	3-2316531-6
		SINGLE POLE - MOMENTARY	RED & YELLOW	24	AV1910EG24T5Q04	3-2316531-5	
				12	AV1910EG12T5Q04	3-2316531-4	
			RED & BLUE	24	AV1910EB24T5Q04	3-2316531-3	
				12	AV1910EB12T5Q04	3-2316531-2	
			RED & GREEN	24	AV1910EA24T5Q04	3-2316531-1	
				12	AV1910EA12T5Q04	3-2316531-0	
		SOLDER TERMINALS	DOUBLE POLE - MOMENTARY	RED & YELLOW	24	AV1920EG24Q04	1-2316531-8
					12	AV1920EG12Q04	1-2316531-7
				RED & BLUE	24	AV1920EB24Q04	1-2316531-6
					12	AV1920EB12Q04	1-2316531-5
				RED & GREEN	24	AV1920EA24Q04	1-2316531-4
					12	AV1920EA12Q04	1-2316531-3
SINGLE POLE - LOCKING	RED & YELLOW		24	AV1911EG24Q04	1-2316531-2		
			12	AV1911EG12Q04	1-2316531-1		
	RED & BLUE		24	AV1911EB24Q04	1-2316531-0		
			12	AV1911EB12Q04	2316531-9		
	RED & GREEN		24	AV1911EA24Q04	2316531-8		
			12	AV1911EA12Q04	2316531-7		
SINGLE POLE - MOMENTARY	RED & YELLOW	24	AV1910EG24Q04	2316531-6			
		12	AV1910EG12Q04	2316531-5			
	RED & BLUE	24	AV1910EB24Q04	2316531-4			
		12	AV1910EB12Q04	2316531-3			
	RED & GREEN	24	AV1910EA24Q04	2316531-2			
		12	AV1910EA12Q04	2316531-1			

THIS DRAWING IS A CONTROLLED DOCUMENT.		DWN 13MAR2017 SHIVAKUMAR S S	TE TE Connectivity	
DIMENSIONS: mm [INCHES]		CHK 13MAR2017 SANJAY SHINDIKAR		
TOLERANCES UNLESS OTHERWISE SPECIFIED:		APVD 13MAR2017 SANJAY SHINDIKAR	NAME ANTI-VANDAL SWITCH 19mm DUAL COLOR LED, FLYING LEADS WITH MOVING RING	
0 PLC ± - 1 PLC ± 0.4[.016] 2 PLC ± 0.25[.010] 3 PLC ± - 4 PLC ± - ANGLES ± 2°		PRODUCT SPEC APPLICATION SPEC	SIZE CAGE CODE DRAWING NO RESTRICTED TO	
MATERIAL FINISH		WEIGHT 0	A2 00779 C=2316531	
		CUSTOMER DRAWING	SCALE 1:1 SHEET 5 OF 5 REV A	