



Chipsmall Limited consists of a professional team with an average of over 10 year of expertise in the distribution of electronic components. Based in Hongkong, we have already established firm and mutual-benefit business relationships with customers from,Europe,America and south Asia,supplying obsolete and hard-to-find components to meet their specific needs.

With the principle of "Quality Parts,Customers Priority,Honest Operation,and Considerate Service",our business mainly focus on the distribution of electronic components. Line cards we deal with include Microchip,ALPS,ROHM,Xilinx,Pulse,ON,Everlight and Freescale. Main products comprise IC,Modules,Potentiometer,IC Socket,Relay,Connector.Our parts cover such applications as commercial,industrial, and automotives areas.

We are looking forward to setting up business relationship with you and hope to provide you with the best service and solution. Let us make a better world for our industry!



Contact us

Tel: +86-755-8981 8866 Fax: +86-755-8427 6832

Email & Skype: info@chipsmall.com Web: www.chipsmall.com

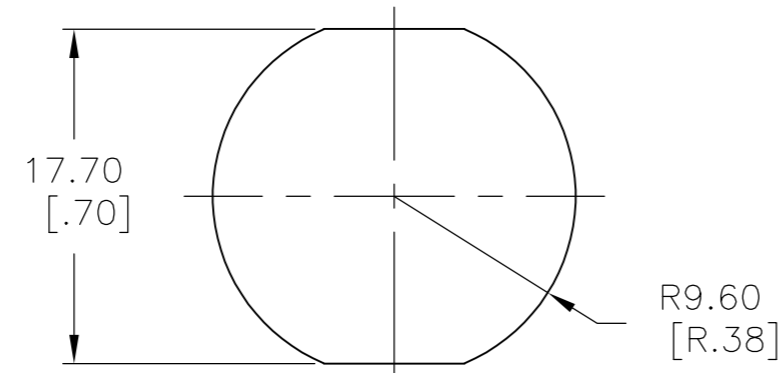
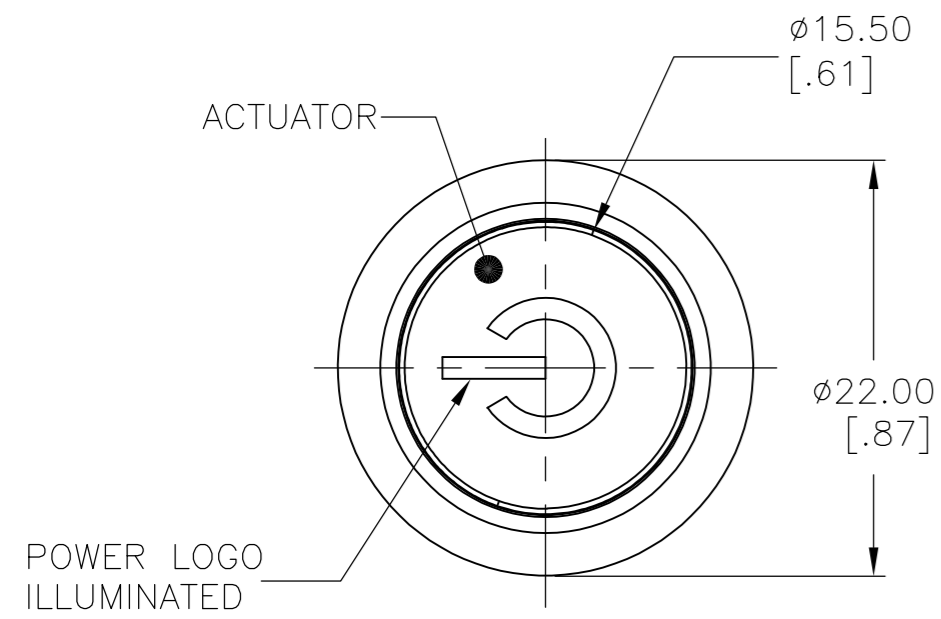
Address: A1208, Overseas Decoration Building, #122 Zhenhua RD., Futian, Shenzhen, China



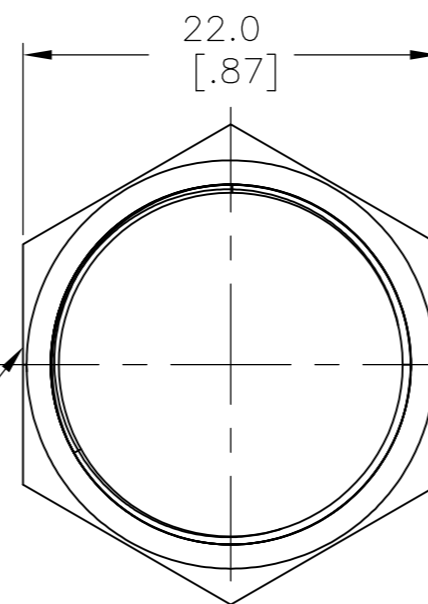
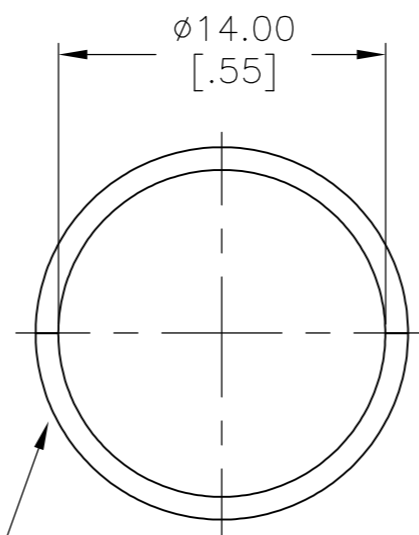
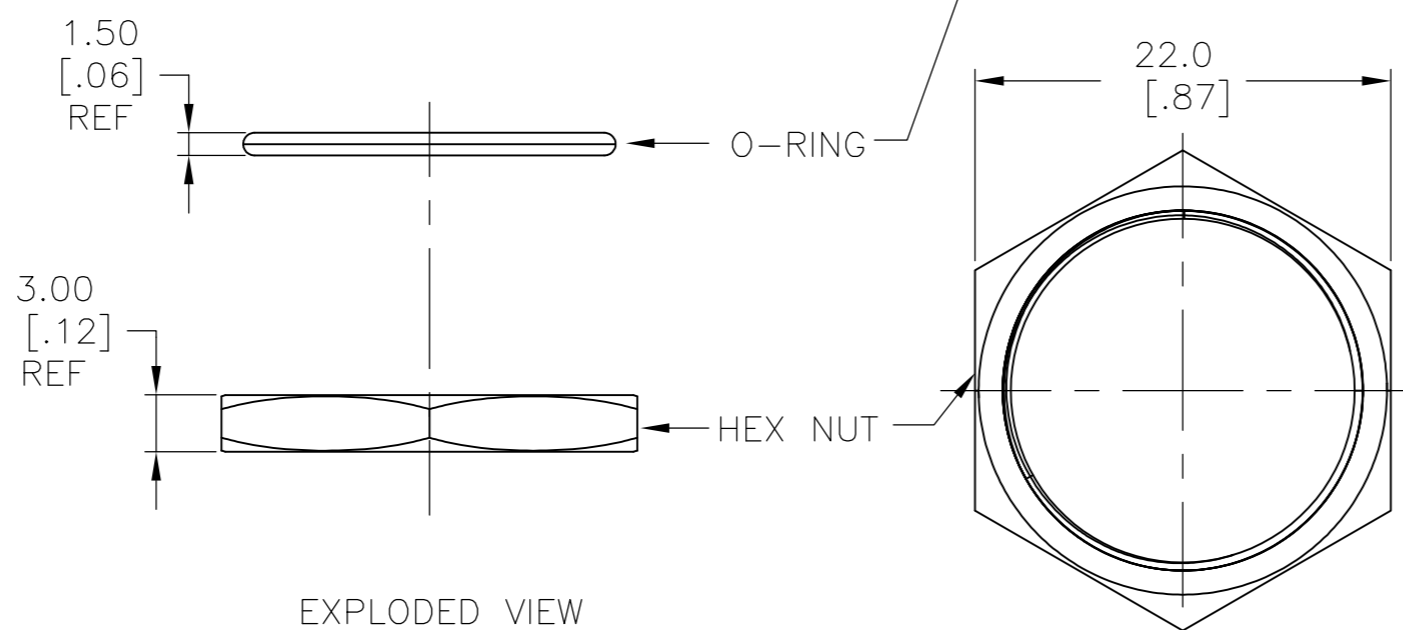
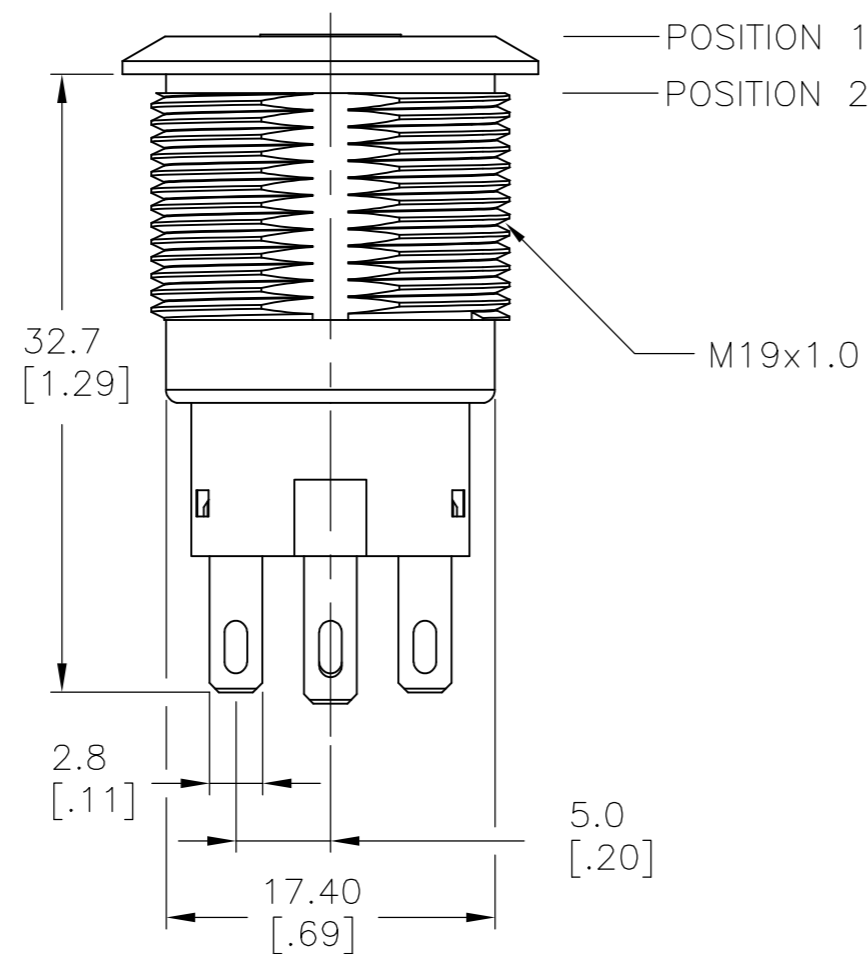
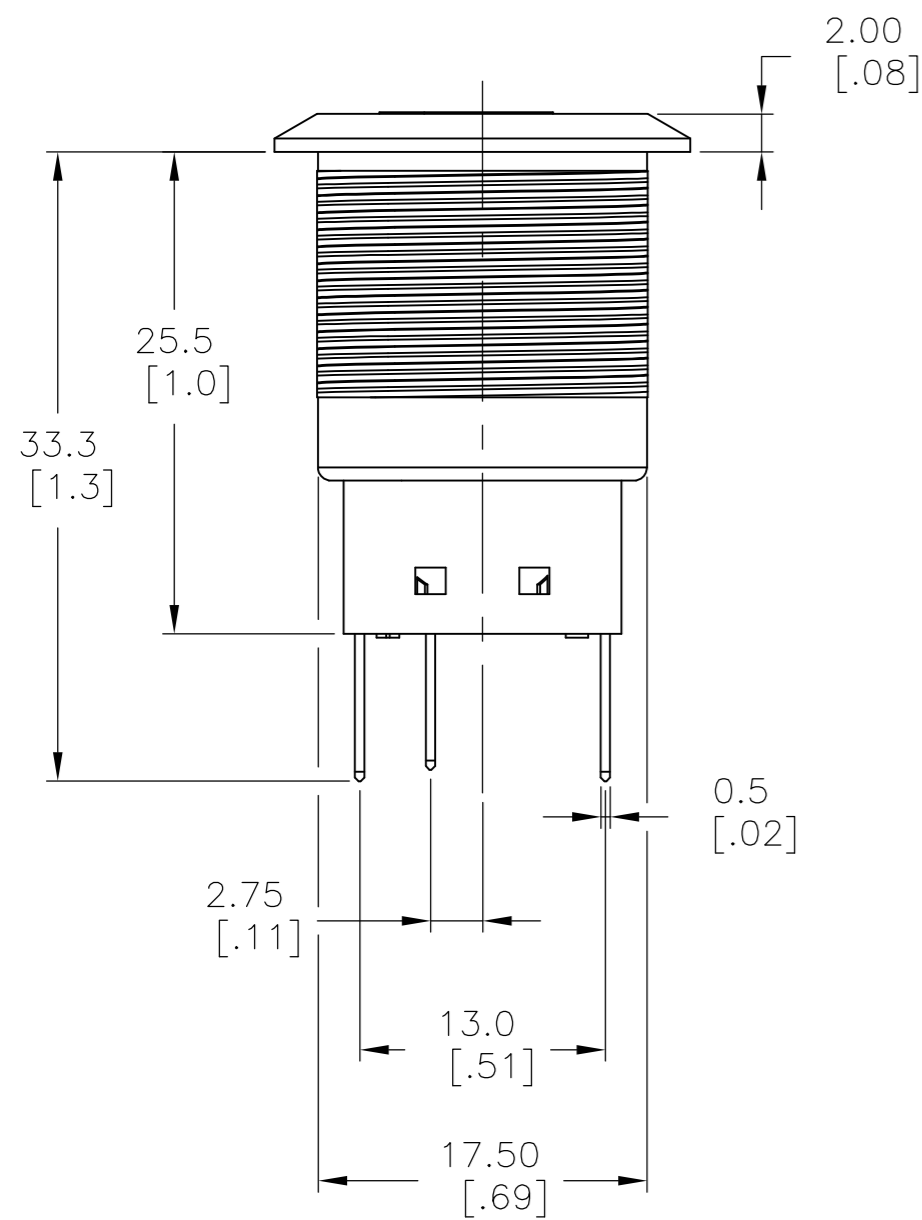
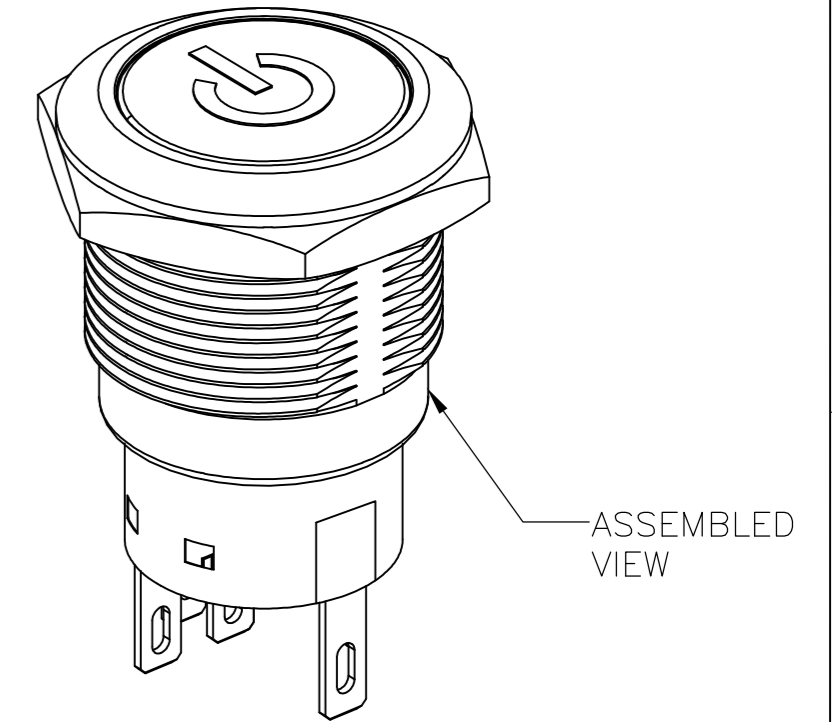
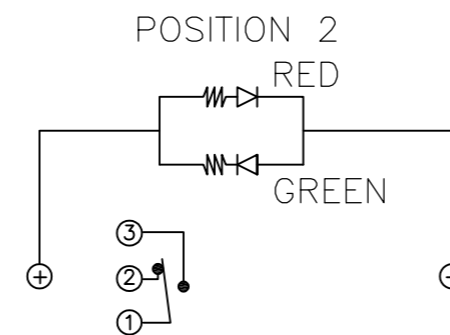
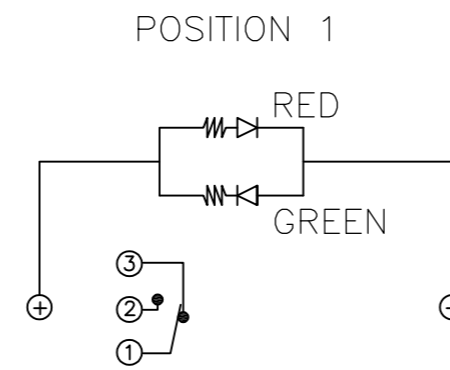
THIS DRAWING IS UNPUBLISHED. RELEASED FOR PUBLICATION
 © COPYRIGHT - By - ALL RIGHTS RESERVED.

REVISIONS					
P	LTR	DESCRIPTION	DATE	DWN	APVD
A		INITIAL RELEASE	15FEB2017	SK	SS

SINGLE POLE SWITCH WITH DUAL COLOR LED's



PANEL CUTOUT
 MAX.PANEL THICKNESS: 10.00[.394]



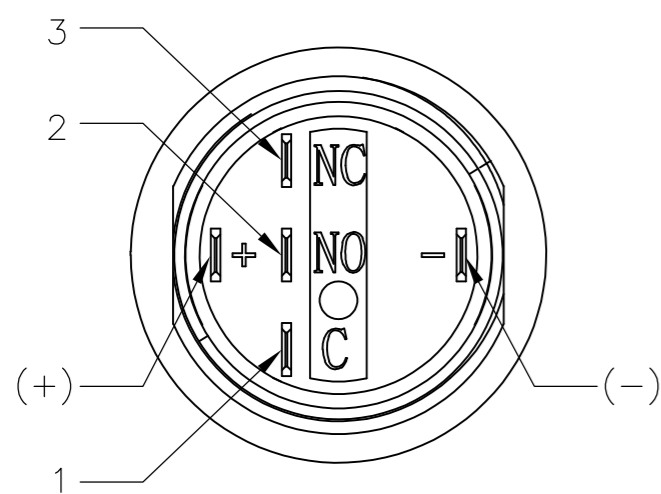
SPECIFICATION:

CONTACT RATING: SILVER; 3A @ 250VAC RESISTIVE
 GOLD; 0.4A @ 20VDC OR PEAK AC
 INSULATION RESISTANCE: 1,000MΩ MIN AT 500VDC
 DIELECTRIC STRENGTH: 2,000V RMS @ SEA LEVEL
 CONTACT RESISTANCE: 50mΩ MAX @ 1A 12VDC (INITIAL VALUE), SOLDER TERMINALS
 100mΩ MAX @ 1A 12VDC (INITIAL VALUES), FLYING LEADS.
 ELECTRICAL LIFE CYCLES: 50,000 MAKE AND BREAK CYCLES AT FULL LOAD.
 ACTUATION FORCE: SP: 2.5±1 NEWTON. DP: 3.5±1 NEWTON
 ACTUATION TRAVEL: 3.2MM
 SEALED PER IP67, IK10 (STAINLESS)
 OPERATING TEMPERATURE: -20°C TO +55°C
 MECHANICAL LIFECYCLES: MOMENTARY; 1,000,000 CYCLES
 LOCKING; 500,000 CYCLES
 HARDWARE TORQUE: 5-14 N-m.

MATERIALS

BUSHING: STAINLESS STEEL,
 BASE: PBT (UL 94-V0), PC (UL 94-V2),
 ACTUATOR: STAINLESS STEEL, PC
 SEALING: O-RING (SILICONE),
 TERMINAL/CONTACT: COPPER BASE, SILVER/GOLD PLATED,
 HEX NUT: BRASS BASE, NICKEL PLATED,
 WIRE:UL3385.

1. ALL MATERIAL AND FINISHES SHALL COMPLY WITH EU DIRECTIVE 2002/95/EC OF 27JAN2003(ROHS).



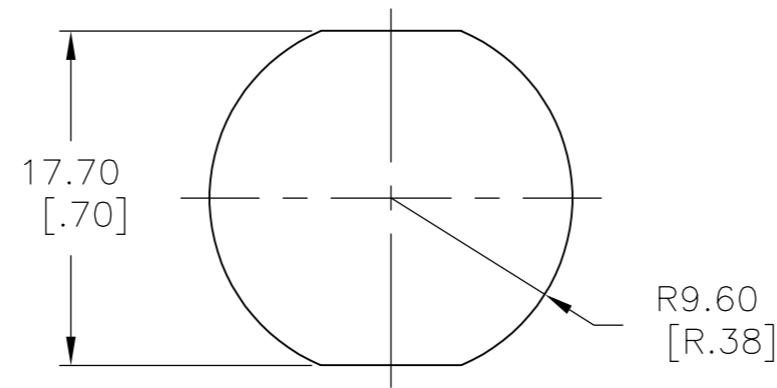
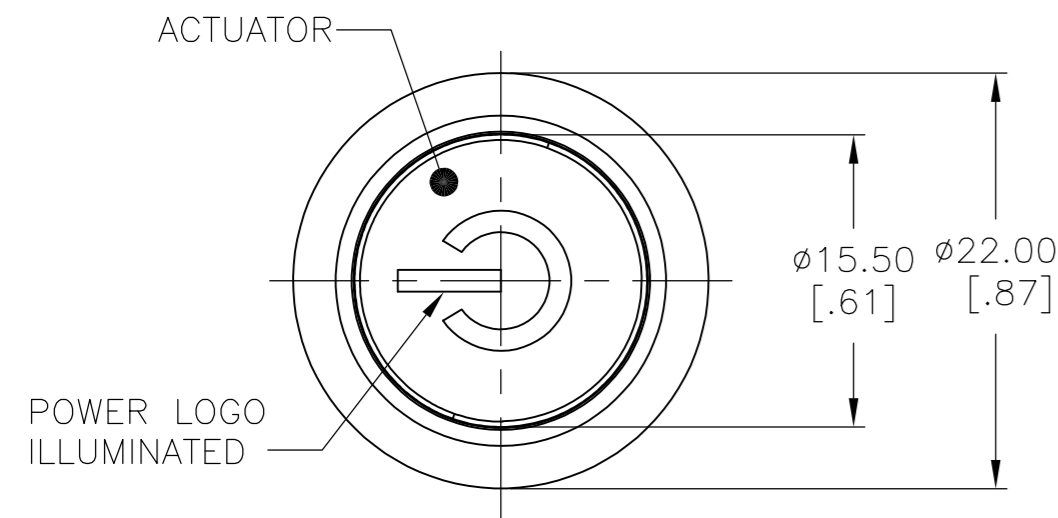
THIS DRAWING IS A CONTROLLED DOCUMENT.		DWN SHIVAKUMAR S S 15FEB2017		
DIMENSIONS: mm [INCHES]		CHK SANJAY SHINDIKAR 15FEB2017		
TOLERANCES UNLESS OTHERWISE SPECIFIED:		APVD SANJAY SHINDIKAR 15FEB2017	NAME ANTI-VANDAL SWITCH 19mm POWER LOGO, DUAL COLOR LED	
0 PLC ± -	1 PLC ± 0.4[.016]	PRODUCT SPEC	SIZE A2	CAGE CODE 00779
2 PLC ± 0.25[.010]	3 PLC ± -	APPLICATION SPEC	DRAWING NO C=2316366	RESTRICTED TO -
4 PLC ± -	ANGLES ± 2°	WEIGHT 0	SCALE 1:1	SHEET 1 of 5
MATERIAL -	FINISH -	CUSTOMER DRAWING	REV A	

2316366

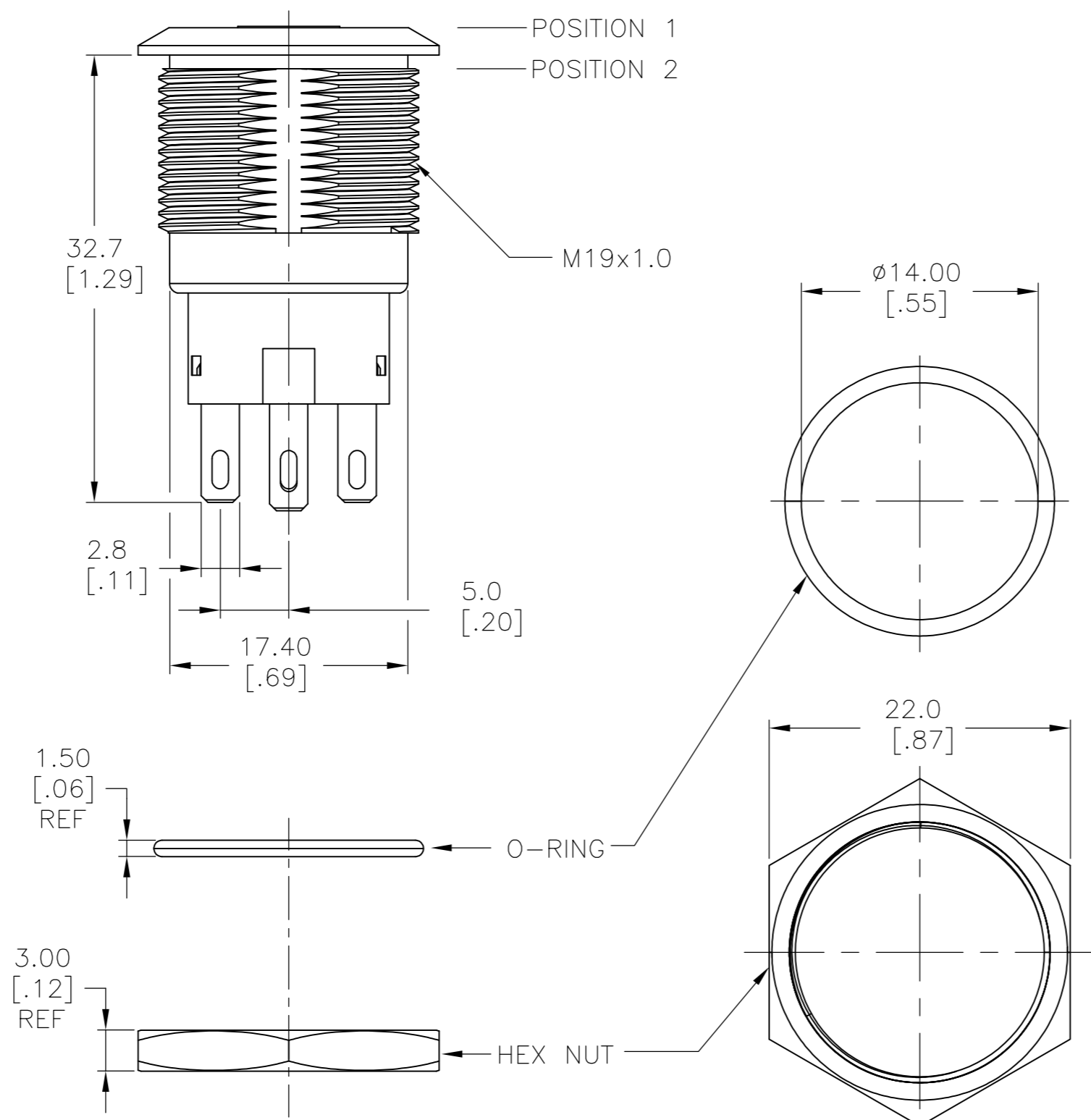
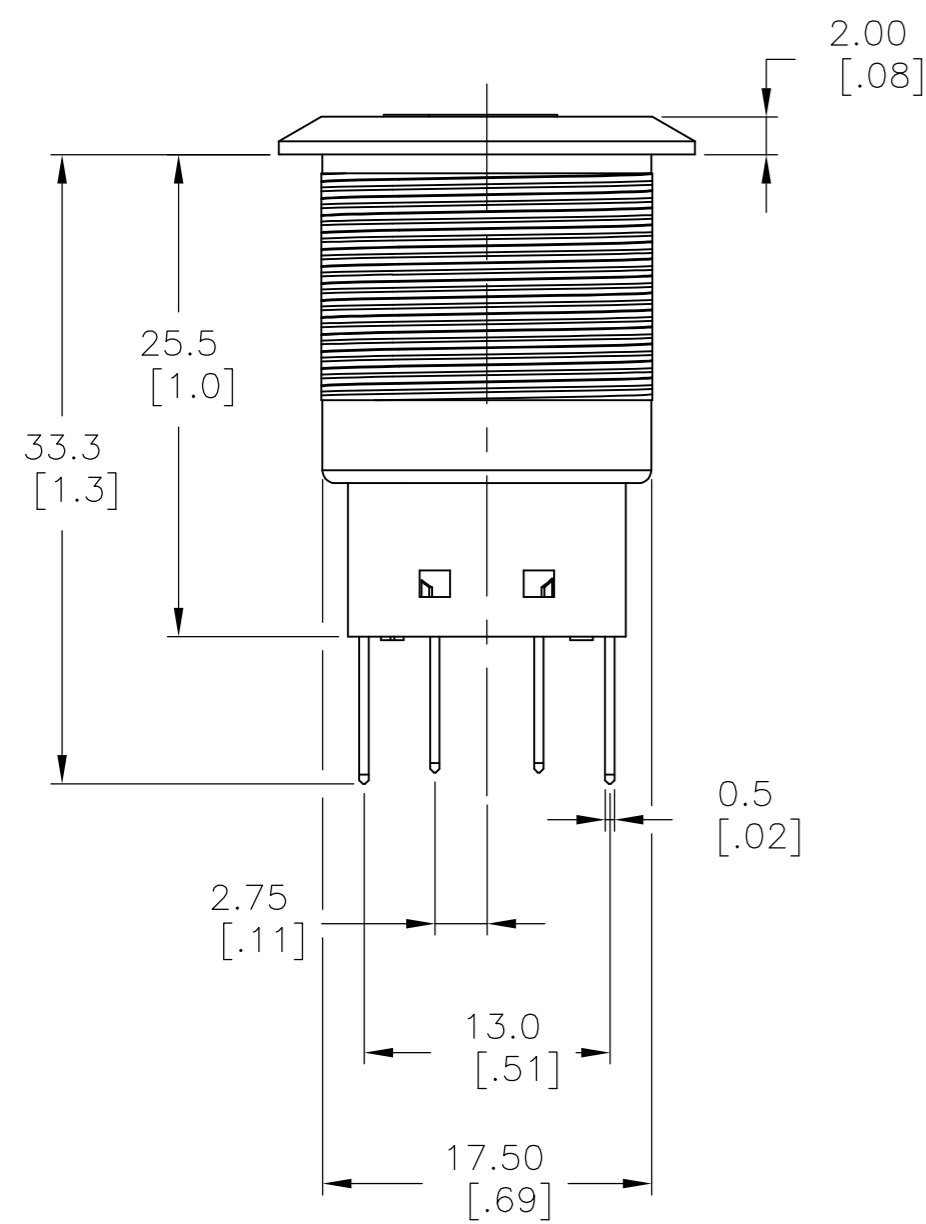
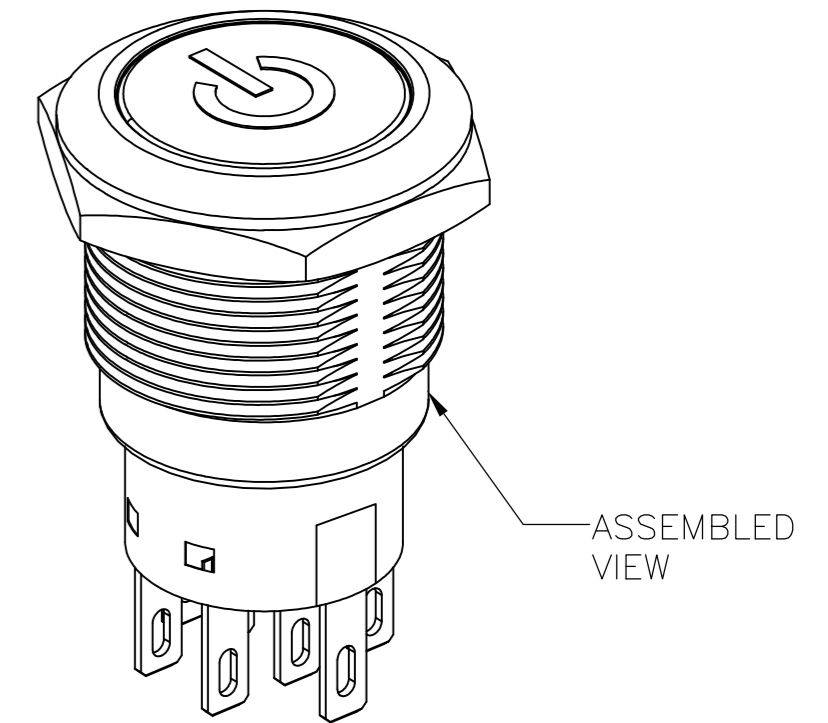
THIS DRAWING IS UNPUBLISHED. RELEASED FOR PUBLICATION
 © COPYRIGHT - By - ALL RIGHTS RESERVED.

REVISIONS				
P	LTR	DESCRIPTION	DATE	APVD
-	-	SEE SHEET 1	-	-

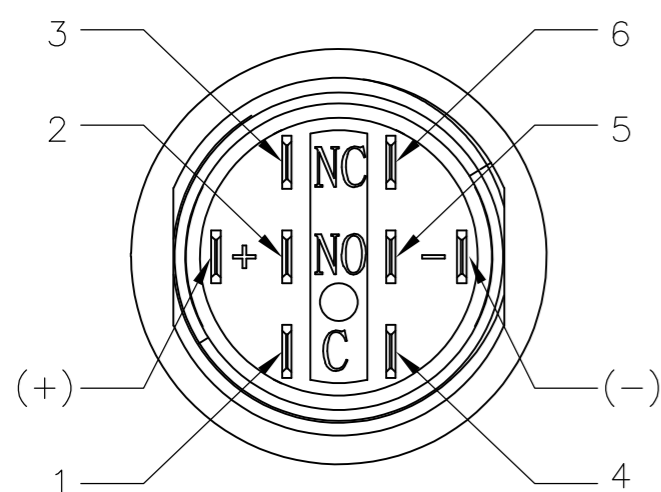
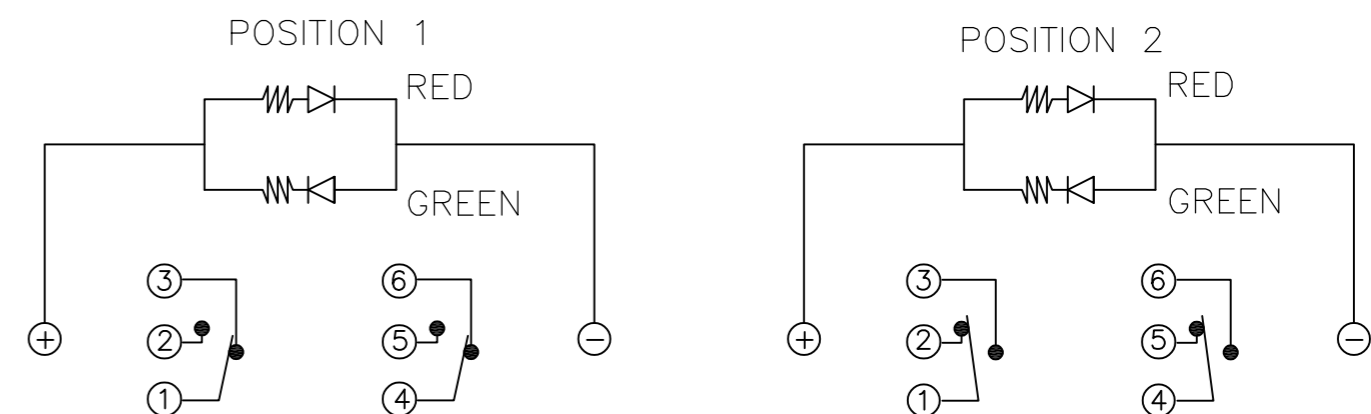
DOUBLE POLE SWITCH WITH DUAL COLOR LED's



PANEL CUTOUT
 MAX.PANEL THICKNESS: 10.00 [.394]



EXPLODED VIEW

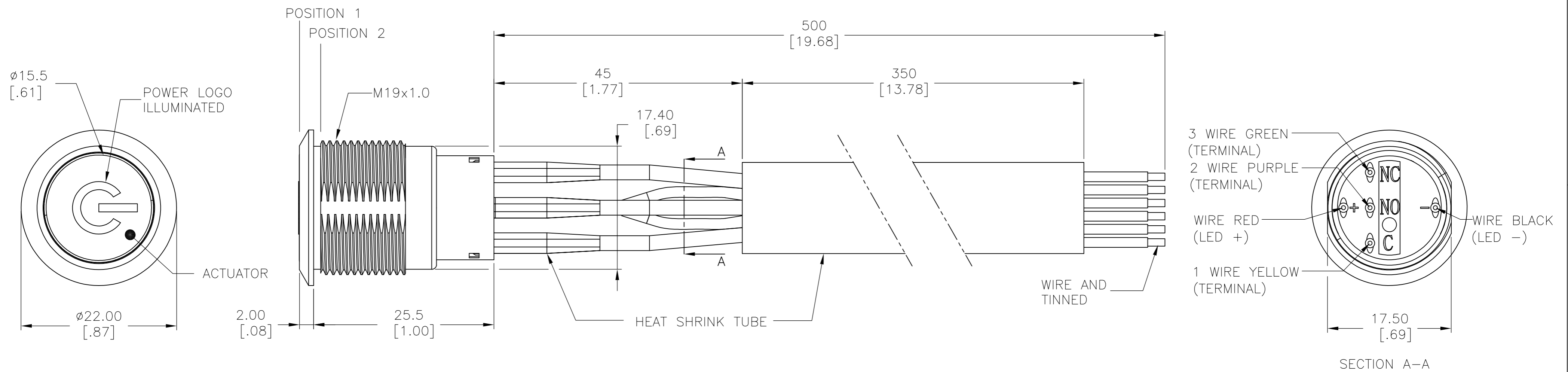


THIS DRAWING IS A CONTROLLED DOCUMENT.		DWN 15FEB2017 SHIVAKUMAR S S																										
DIMENSIONS: mm [INCHES]		CHK 15FEB2017 SANJAY SHINDIKAR																										
TOLERANCES UNLESS OTHERWISE SPECIFIED:		APVD 15FEB2017 SANJAY SHINDIKAR	NAME ANTI-VANDAL SWITCH 19mm POWER LOGO, DUAL COLOR LED																									
<table border="1"> <tr><td>0</td><td>PLC</td><td>±</td><td>-</td></tr> <tr><td>1</td><td>PLC</td><td>±</td><td>0.4 [.016]</td></tr> <tr><td>2</td><td>PLC</td><td>±</td><td>0.25 [.010]</td></tr> <tr><td>3</td><td>PLC</td><td>±</td><td>-</td></tr> <tr><td>4</td><td>PLC</td><td>±</td><td>-</td></tr> <tr><td colspan="2">ANGLES</td><td>±</td><td>2°</td></tr> </table>		0	PLC	±	-	1	PLC	±	0.4 [.016]	2	PLC	±	0.25 [.010]	3	PLC	±	-	4	PLC	±	-	ANGLES		±	2°	APPLICATION SPEC	SIZE CAGE CODE DRAWING NO RESTRICTED TO	
0	PLC	±	-																									
1	PLC	±	0.4 [.016]																									
2	PLC	±	0.25 [.010]																									
3	PLC	±	-																									
4	PLC	±	-																									
ANGLES		±	2°																									
MATERIAL FINISH		WEIGHT 0	A2 00779 C=2316366																									
		CUSTOMER DRAWING	SCALE 1:1	SHEET 2 of 5 REV A																								

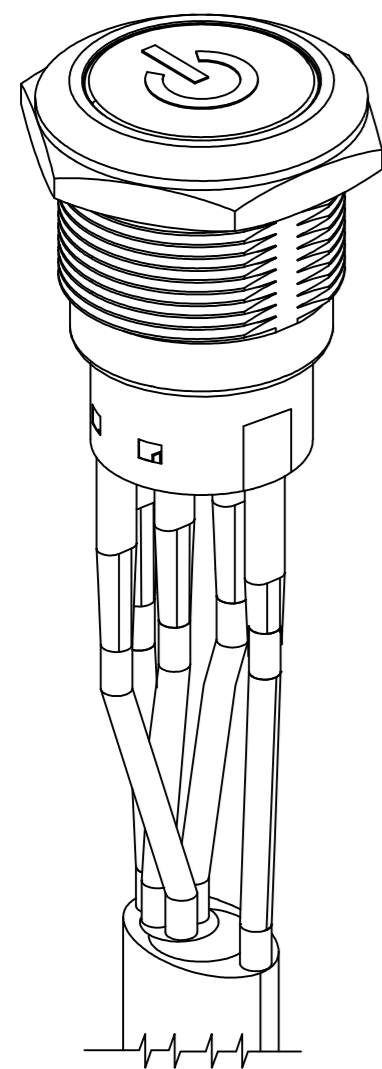
THIS DRAWING IS UNPUBLISHED. RELEASED FOR PUBLICATION
 © COPYRIGHT - By - ALL RIGHTS RESERVED.

REVISIONS					
P	LTR	DESCRIPTION	DATE	DWN	APVD
-	-	SEE SHEET 1	-	-	-

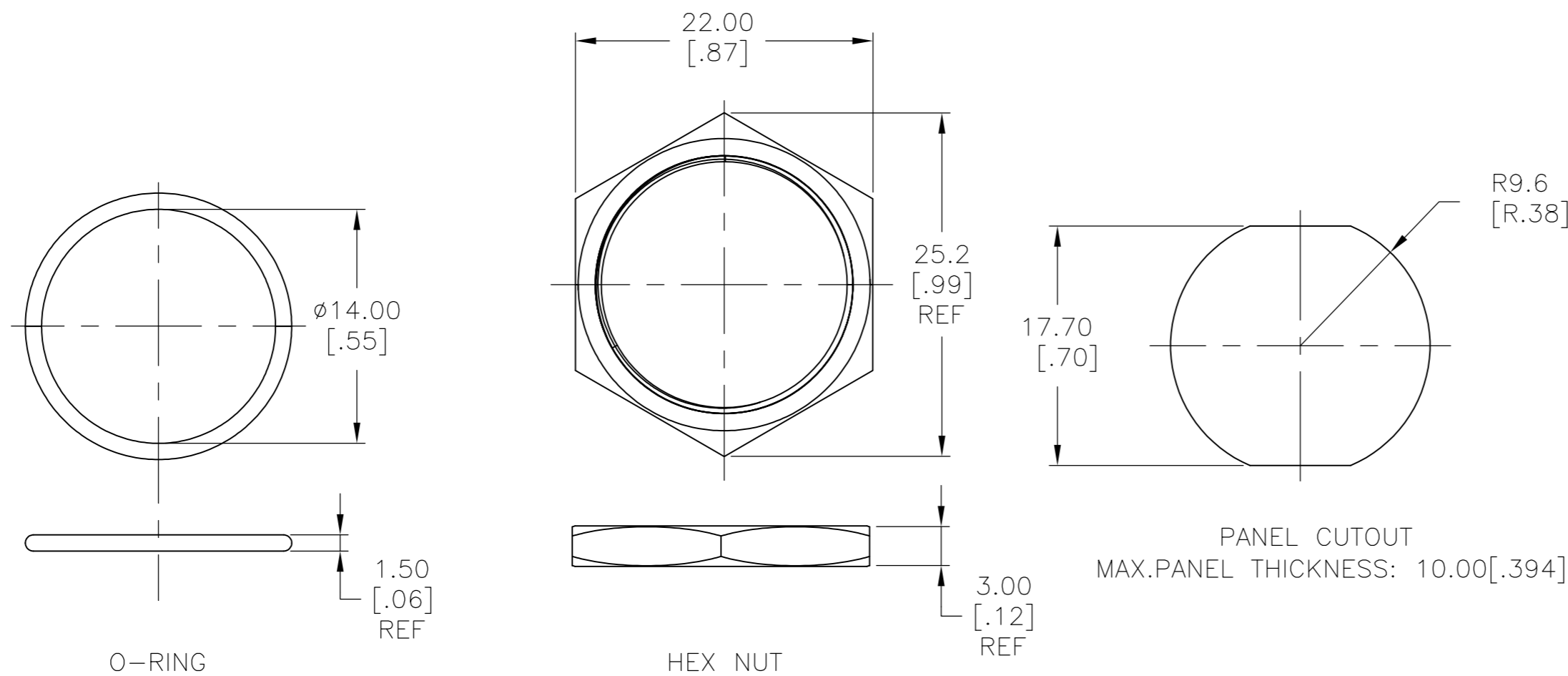
SINGLE POLE SWITCH WITH DUAL COLOR LED'S AND FLYING LEADS



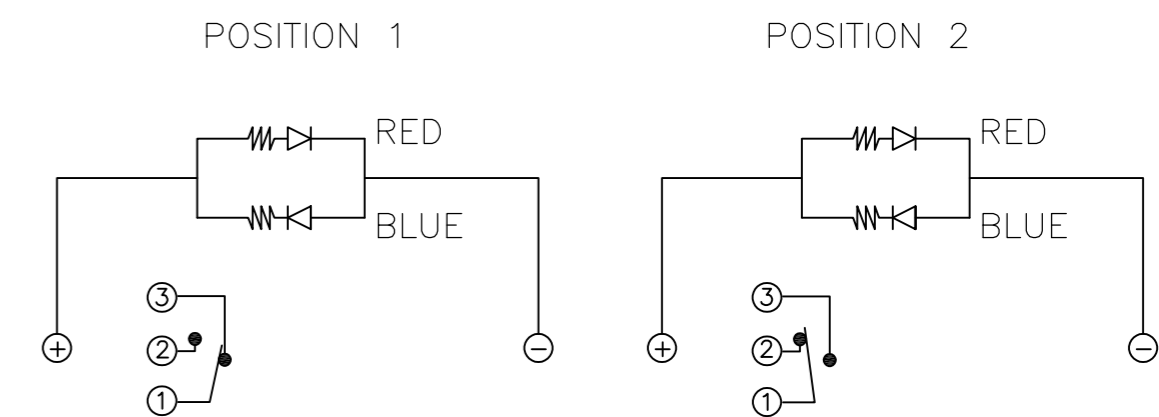
WIRE=18AWG, 300V(BLACK/YELLOW/GREEN/RED/PURPLE)



ASSEMBLED VIEW



PANEL CUTOUT
 MAX.PANEL THICKNESS: 10.00[.394]

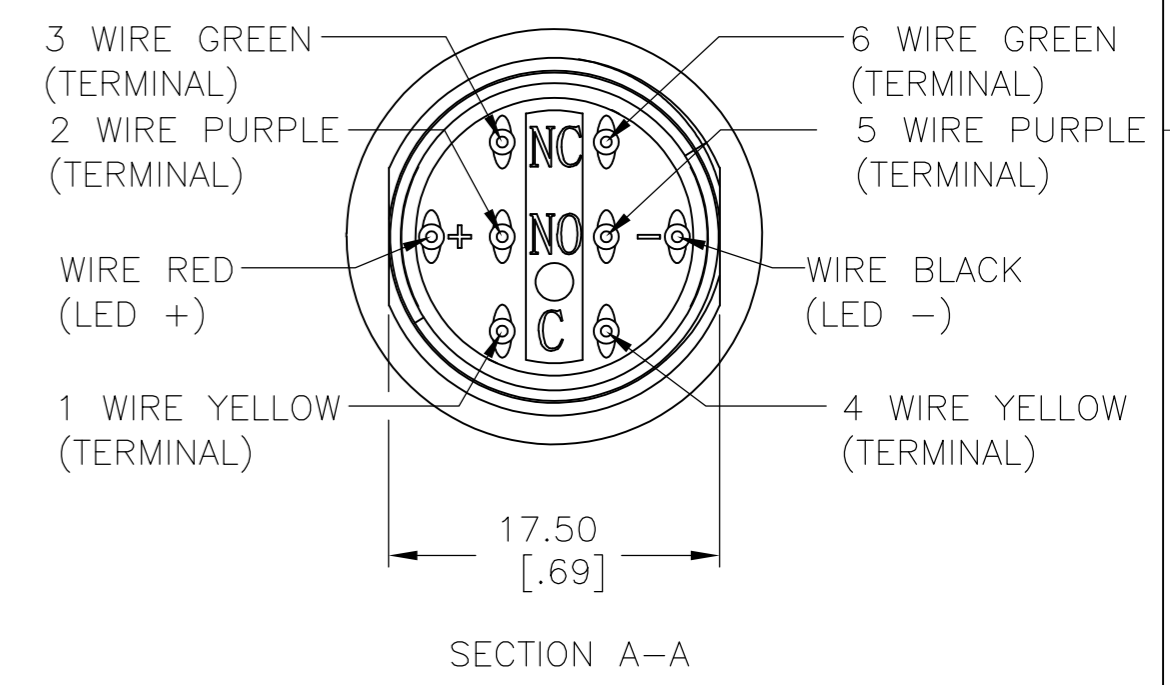
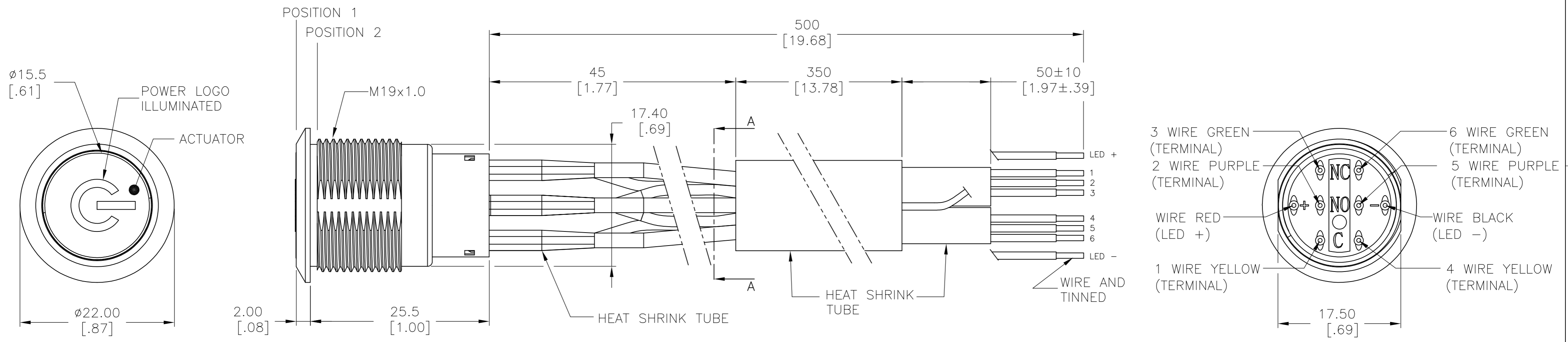


THIS DRAWING IS A CONTROLLED DOCUMENT.		DWN 15FEB2017 SHIVAKUMAR S S																				
DIMENSIONS: mm [INCHES]		CHK 15FEB2017 SANJAY SHINDIKAR																				
TOLERANCES UNLESS OTHERWISE SPECIFIED:		APVD 15FEB2017 SANJAY SHINDIKAR	NAME ANTI-VANDAL SWITCH 19mm POWER LOGO, DUAL COLOR LED																			
<table border="1"> <tr><td>0 PLC</td><td>±</td><td>-</td></tr> <tr><td>1 PLC</td><td>±</td><td>0.4[.016]</td></tr> <tr><td>2 PLC</td><td>±</td><td>0.25[.010]</td></tr> <tr><td>3 PLC</td><td>±</td><td>-</td></tr> <tr><td>4 PLC</td><td>±</td><td>-</td></tr> <tr><td>ANGLES</td><td>±</td><td>2°</td></tr> </table>		0 PLC	±	-	1 PLC	±	0.4[.016]	2 PLC	±	0.25[.010]	3 PLC	±	-	4 PLC	±	-	ANGLES	±	2°	PRODUCT SPEC -	SIZE A2	CAGE CODE 00779
0 PLC	±	-																				
1 PLC	±	0.4[.016]																				
2 PLC	±	0.25[.010]																				
3 PLC	±	-																				
4 PLC	±	-																				
ANGLES	±	2°																				
MATERIAL -		FINISH -	WEIGHT 0	DRAWING NO C=2316366																		
CUSTOMER DRAWING			SCALE 1:1	SHEET 3 OF 5																		
			RESTRICTED TO -	REV A																		

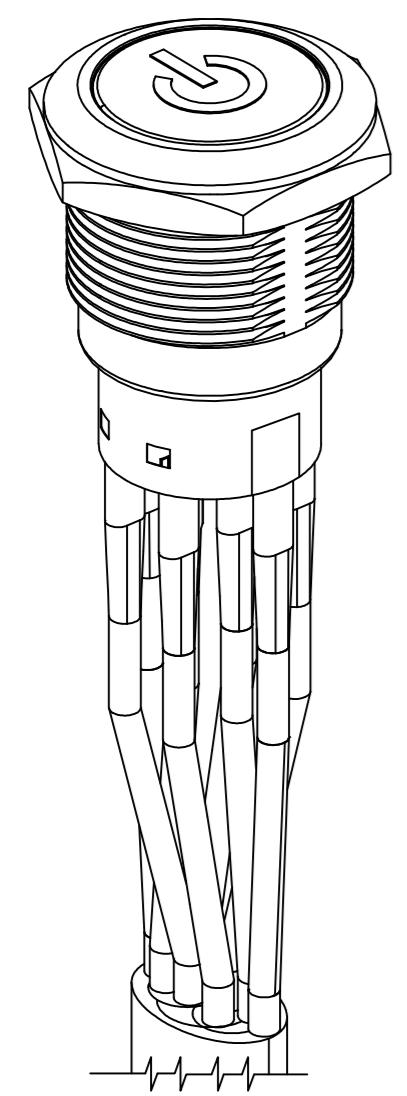
THIS DRAWING IS UNPUBLISHED. RELEASED FOR PUBLICATION
 © COPYRIGHT - By - ALL RIGHTS RESERVED.

REVISIONS					
P	LTR	DESCRIPTION	DATE	DWN	APVD
-	-	SEE SHEET 1	-	-	-

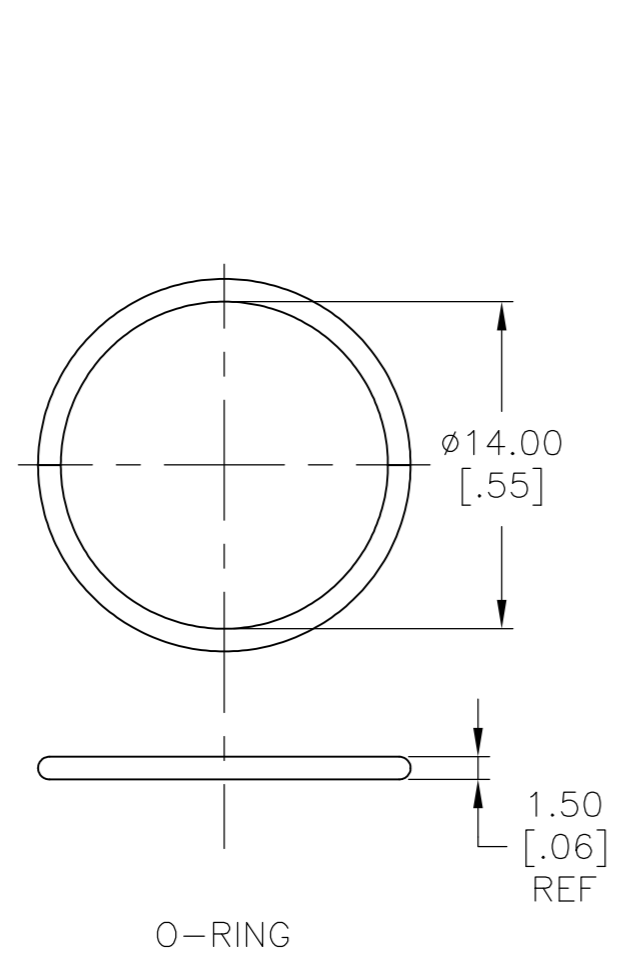
DOUBLE POLE SWITCH WITH DUAL COLOR LED'S AND FLYING LEADS



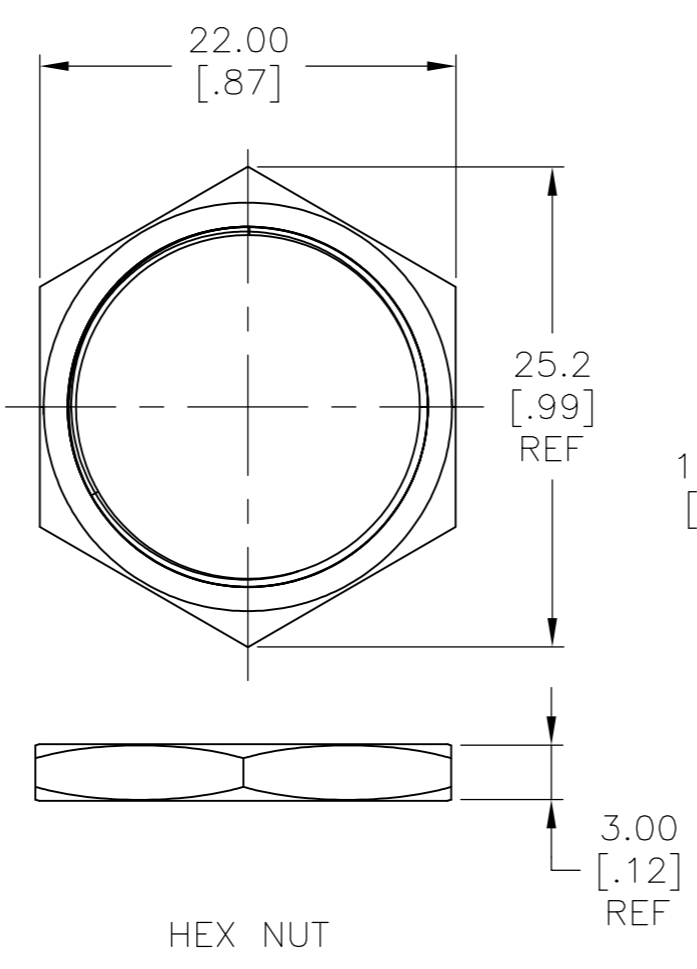
WIRE=18AWG, 300V(BLACK/YELLOW/GREEN/RED/PURPLE)



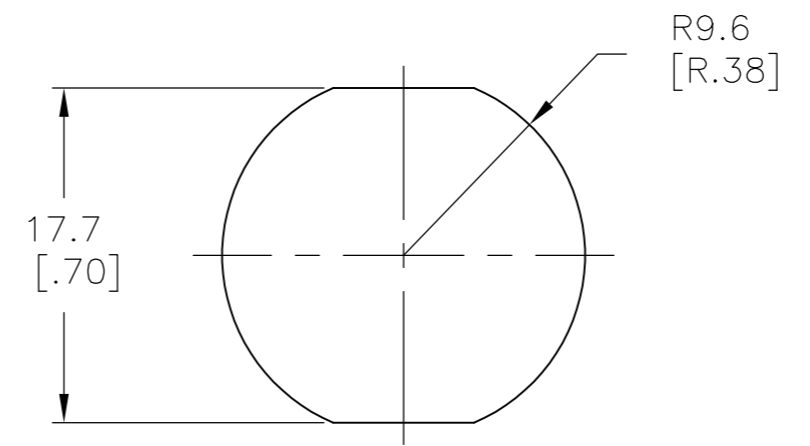
ASSEMBLED VIEW



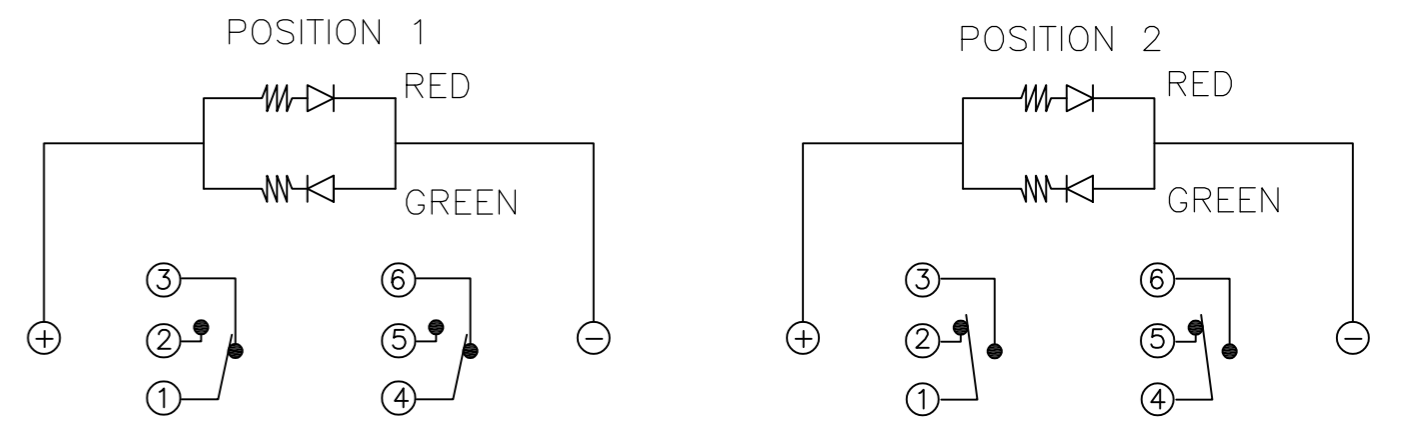
O-RING



HEX NUT



PANEL CUTOUT
 MAX.PANEL THICKNESS: 10.00[.394]



THIS DRAWING IS A CONTROLLED DOCUMENT.		DWN 15FEB2017 SHIVAKUMAR S S		
DIMENSIONS: mm [INCHES]		CHK 15FEB2017 SANJAY SHINDIKAR		
TOLERANCES UNLESS OTHERWISE SPECIFIED:		APVD 15FEB2017 SANJAY SHINDIKAR	NAME ANTI-VANDAL SWITCH 19mm POWER LOGO, DUAL COLOR LED	
0 PLC ± -		PRODUCT SPEC	SIZE CAGE CODE DRAWING NO RESTRICTED TO	
1 PLC ± 0.4[.016]		APPLICATION SPEC	A2 00779 C=2316366	
2 PLC ± 0.25[.010]		WEIGHT 0	SCALE 1:1 SHEET 4 OF 5 REV A	
3 PLC ± -		MATERIAL -		
4 PLC ± -		FINISH -		
ANGLES ± 2°				

THIS DRAWING IS UNPUBLISHED. RELEASED FOR PUBLICATION
 © COPYRIGHT - By - ALL RIGHTS RESERVED.

REVISIONS					
P	LTR	DESCRIPTION	DATE	DWN	APVD
-	-	SEE SHEET 1	-	-	-

CONTACT PLATING	LIGHT TYPE	TERMINAL OPTION	POLE/THROW	LED COLOR	LED VOLTAGE	TE DESCRIPTIVE PART NUMBER	TE PART NUMBER	
SILVER	POWER LOGO	FLYING LEAD TERMINALS	DOUBLE POLE - MOMENTARY	RED & YELLOW	24	AV1920PG24T5Q04	4-2316366-7	
				RED & YELLOW	12	AV1920PG12T5Q04	4-2316366-6	
				RED & BLUE	24	AV1920PB24T5Q04	4-2316366-5	
				RED & BLUE	12	AV1920PB12T5Q04	4-2316366-4	
				RED & GREEN	24	AV1920PA24T5Q04	4-2316366-3	
				RED & GREEN	12	AV1920PA12T5Q04	4-2316366-2	
			SINGLE POLE - LOCKING	RED & YELLOW	24	AV1911PG24T5Q04	4-2316366-1	
				RED & YELLOW	12	AV1911PG12T5Q04	4-2316366-0	
				RED & BLUE	24	AV1911PB24T5Q04	3-2316366-9	
				RED & BLUE	12	AV1911PB12T5Q04	3-2316366-8	
				RED & GREEN	24	AV1911PA24T5Q04	3-2316366-7	
				RED & GREEN	12	AV1911PA12T5Q04	3-2316366-6	
		SOLDER TERMINALS	DOUBLE POLE - MOMENTARY	SINGLE POLE - MOMENTARY	RED & YELLOW	24	AV1910PG24T5Q04	3-2316366-5
					RED & YELLOW	12	AV1910PG12T5Q04	3-2316366-4
					RED & BLUE	24	AV1910PB24T5Q04	3-2316366-3
					RED & BLUE	12	AV1910PB12T5Q04	3-2316366-2
					RED & GREEN	24	AV1910PA24T5Q04	3-2316366-1
					RED & GREEN	12	AV1910PA12T5Q04	3-2316366-0
			DOUBLE POLE - MOMENTARY	SINGLE POLE - LOCKING	RED & YELLOW	24	AV1920PG24Q04	1-2316366-8
					RED & YELLOW	12	AV1920PG12Q04	1-2316366-7
					RED & BLUE	24	AV1920PB24Q04	1-2316366-6
					RED & BLUE	12	AV1920PB12Q04	1-2316366-5
					RED & GREEN	24	AV1920PA24Q04	1-2316366-4
					RED & GREEN	12	AV1920PA12Q04	1-2316366-3
SINGLE POLE - LOCKING	SINGLE POLE - MOMENTARY	RED & YELLOW	24	AV1911PG24Q04	1-2316366-2			
		RED & YELLOW	12	AV1911PG12Q04	1-2316366-1			
		RED & BLUE	24	AV1911PB24Q04	1-2316366-0			
		RED & BLUE	12	AV1911PB12Q04	2316366-9			
		RED & GREEN	24	AV1911PA24Q04	2316366-8			
		RED & GREEN	12	AV1911PA12Q04	2316366-7			
SINGLE POLE - MOMENTARY	SINGLE POLE - MOMENTARY	RED & YELLOW	24	AV1910PG24Q04	2316366-6			
		RED & YELLOW	12	AV1910PG12Q04	2316366-5			
		RED & BLUE	24	AV1910PB24Q04	2316366-4			
		RED & BLUE	12	AV1910PB12Q04	2316366-3			
		RED & GREEN	24	AV1910PA24Q04	2316366-2			
		RED & GREEN	12	AV1910PA12Q04	2316366-1			

THIS DRAWING IS A CONTROLLED DOCUMENT.		DWN 15FEB2017 SHIVAKUMAR S S	TE TE Connectivity	
DIMENSIONS: mm [INCHES]		CHK 15FEB2017 SANJAY SHINDIKAR		
TOLERANCES UNLESS OTHERWISE SPECIFIED:		APVD 15FEB2017 SANJAY SHINDIKAR	NAME ANTI-VANDAL SWITCH 19mm POWER LOGO, DUAL COLOR LED	
0 PLC ± - 1 PLC ± 0.4[.016] 2 PLC ± 0.25[.010] 3 PLC ± - 4 PLC ± - ANGLES ± 2°		PRODUCT SPEC -	APPLICATION SPEC -	
MATERIAL -	FINISH -	WEIGHT 0	SIZE A2	CAGE CODE 00779
		CUSTOMER DRAWING	SCALE 1:1	SHEET 5 of 5
			REV A	