



Chipsmall Limited consists of a professional team with an average of over 10 year of expertise in the distribution of electronic components. Based in Hongkong, we have already established firm and mutual-benefit business relationships with customers from,Europe,America and south Asia,supplying obsolete and hard-to-find components to meet their specific needs.

With the principle of “Quality Parts,Customers Priority,Honest Operation,and Considerate Service”,our business mainly focus on the distribution of electronic components. Line cards we deal with include Microchip,ALPS,ROHM,Xilinx,Pulse,ON,Everlight and Freescale. Main products comprise IC,Modules,Potentiometer,IC Socket,Relay,Connector.Our parts cover such applications as commercial,industrial, and automotives areas.

We are looking forward to setting up business relationship with you and hope to provide you with the best service and solution. Let us make a better world for our industry!



## Contact us

Tel: +86-755-8981 8866 Fax: +86-755-8427 6832

Email & Skype: info@chipsmall.com Web: www.chipsmall.com

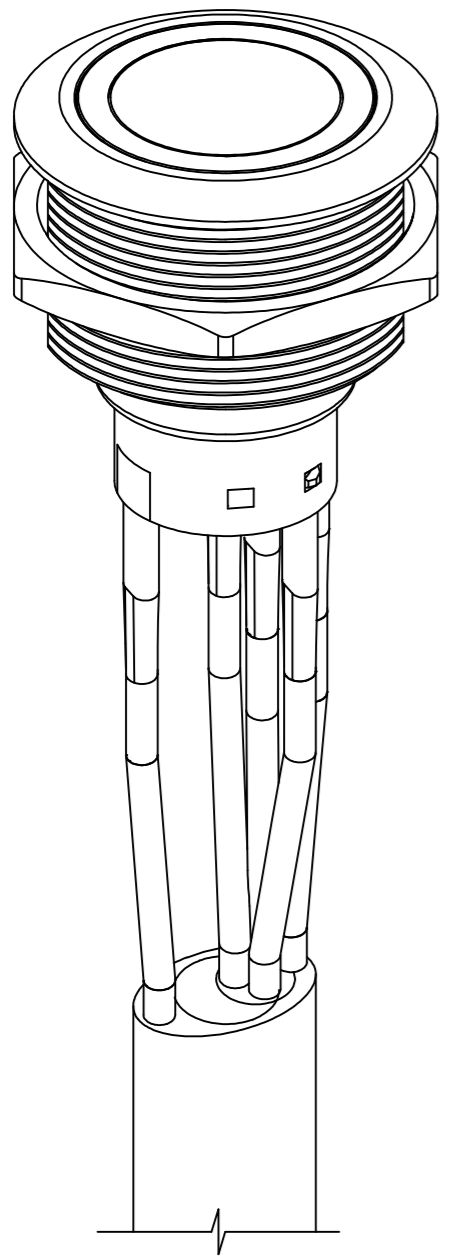
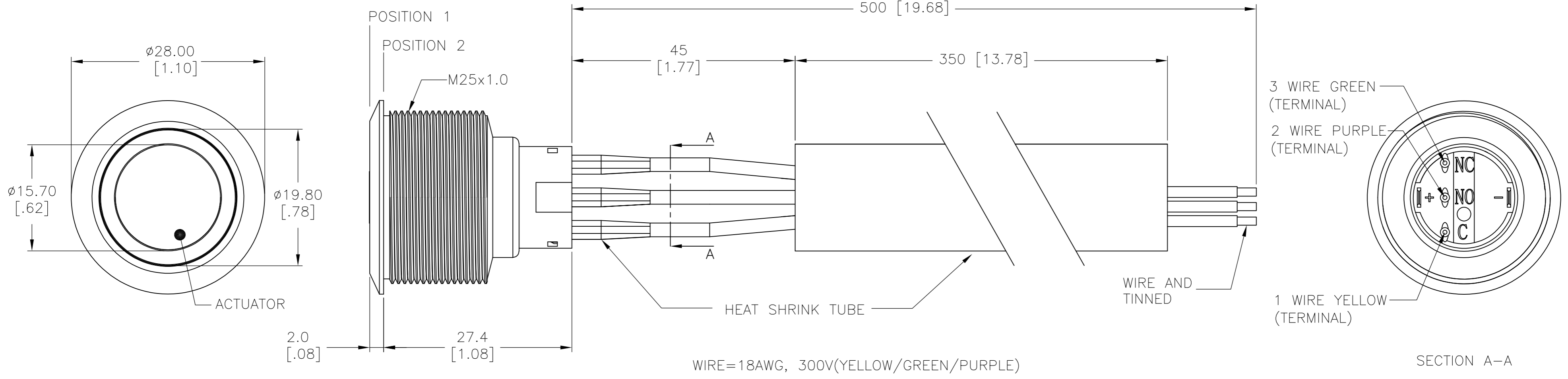
Address: A1208, Overseas Decoration Building, #122 Zhenhua RD., Futian, Shenzhen, China



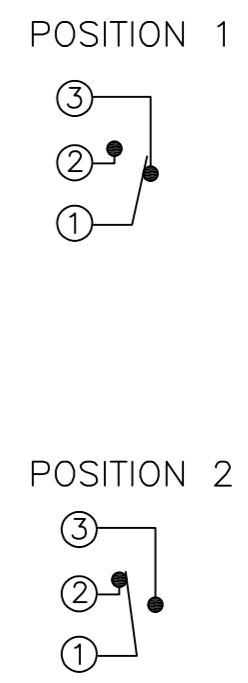
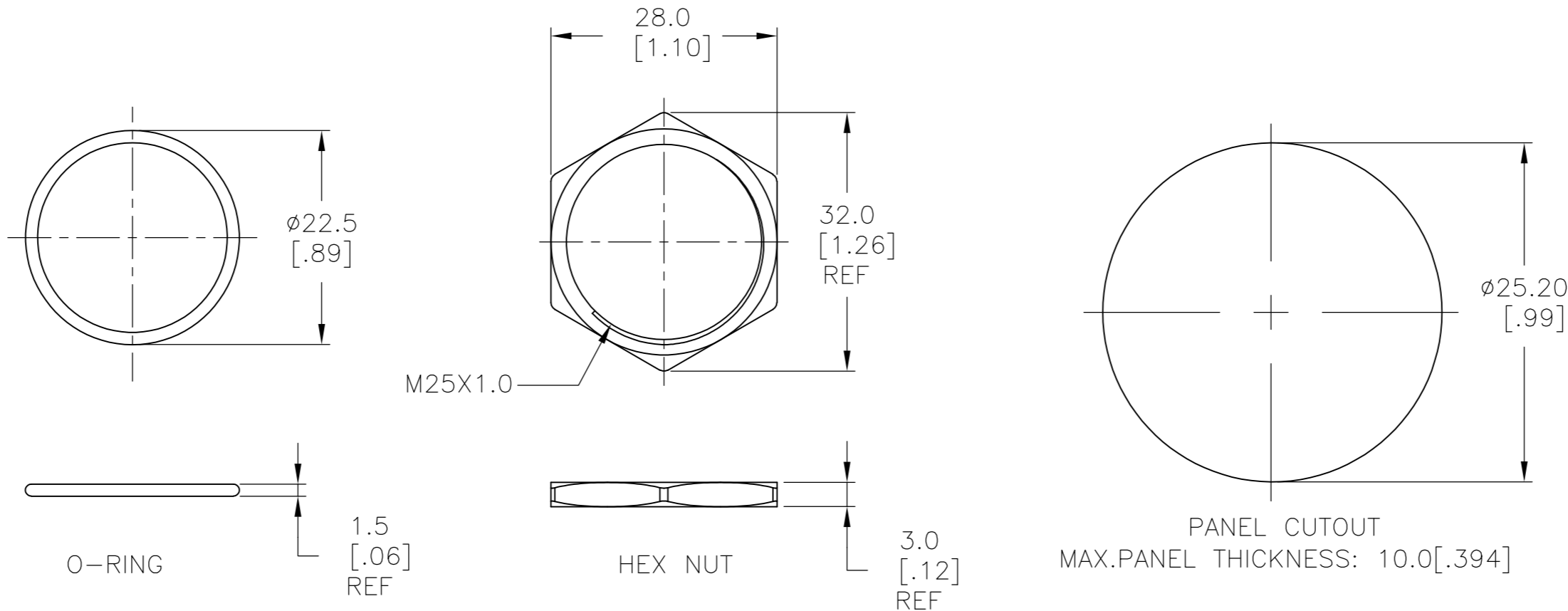
THIS DRAWING IS UNPUBLISHED. RELEASED FOR PUBLICATION  
 © COPYRIGHT - By - ALL RIGHTS RESERVED.

REVISIONS					
P	LTR	DESCRIPTION	DATE	DWN	APVD
A		INITIAL RELEASE	16MAR2017	SK	SS

### SINGLE POLE SWITCH WITH NO LED AND WITH FLYING LEADS



ASSEMBLED VIEW

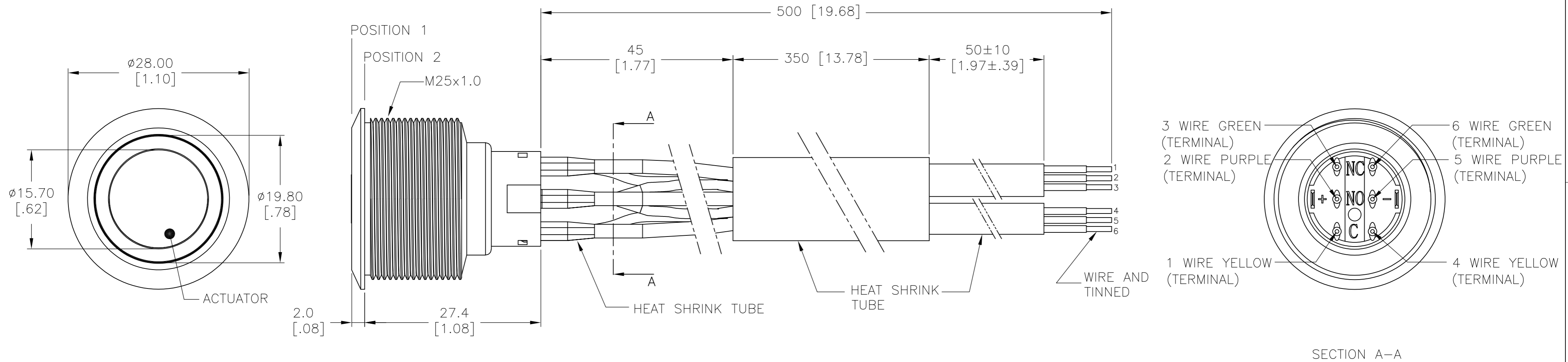


THIS DRAWING IS A CONTROLLED DOCUMENT.		DWN	16MAR2017		
DIMENSIONS: mm [INCHES]		CHK	16MAR2017		
TOLERANCES UNLESS OTHERWISE SPECIFIED:		APVD	16MAR2017		
0 PLC ± - 1 PLC ± 0.4[.016] 2 PLC ± 0.25[.010] 3 PLC ± - 4 PLC ± - ANGLES ± 2°		PRODUCT SPEC	NAME		
MATERIAL		APPLICATION SPEC		ANTI-VANDAL SWITCH 25mm, NO LED AND FLYING LEADS	
FINISH		WEIGHT	0	SIZE	A2
		CUSTOMER DRAWING		CAGE CODE	00779
				DRAWING NO	C=2317655
				RESTRICTED TO	-
				SCALE	1:1
				SHEET	1 OF 3
				REV	A

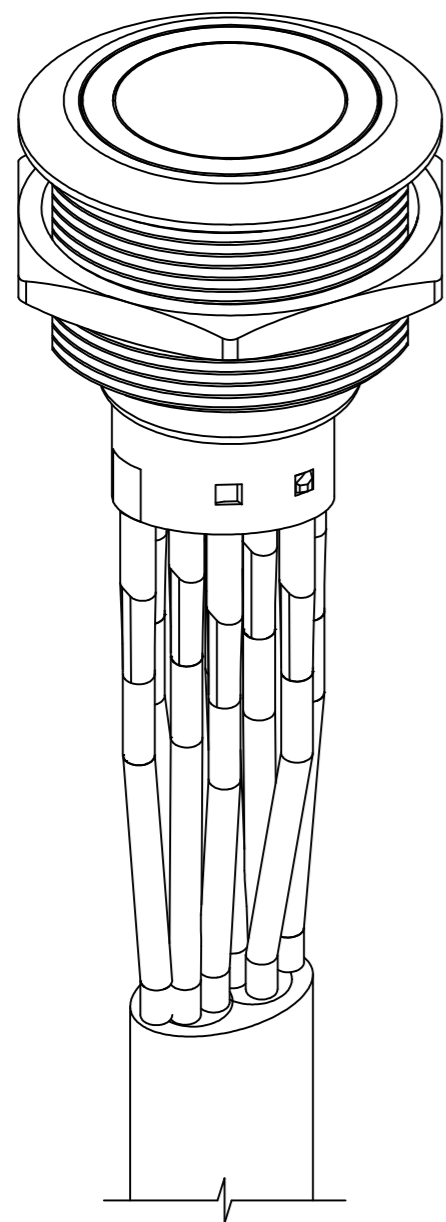
THIS DRAWING IS UNPUBLISHED. RELEASED FOR PUBLICATION  
 © COPYRIGHT - By - ALL RIGHTS RESERVED.

REVISIONS					
P	LTR	DESCRIPTION	DATE	DWN	APVD
-	-	SEE SHEET 1	-	-	-

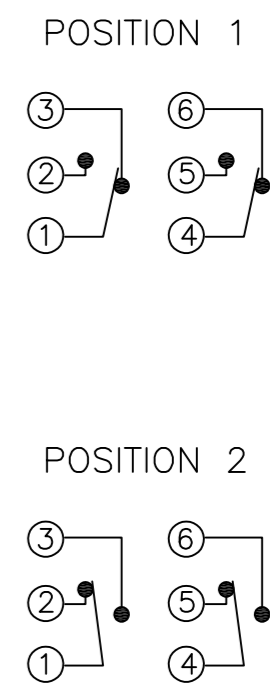
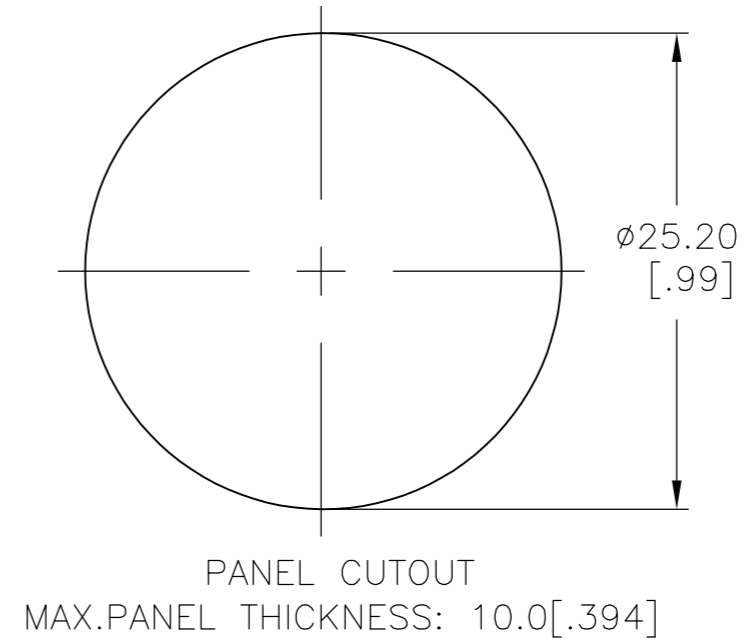
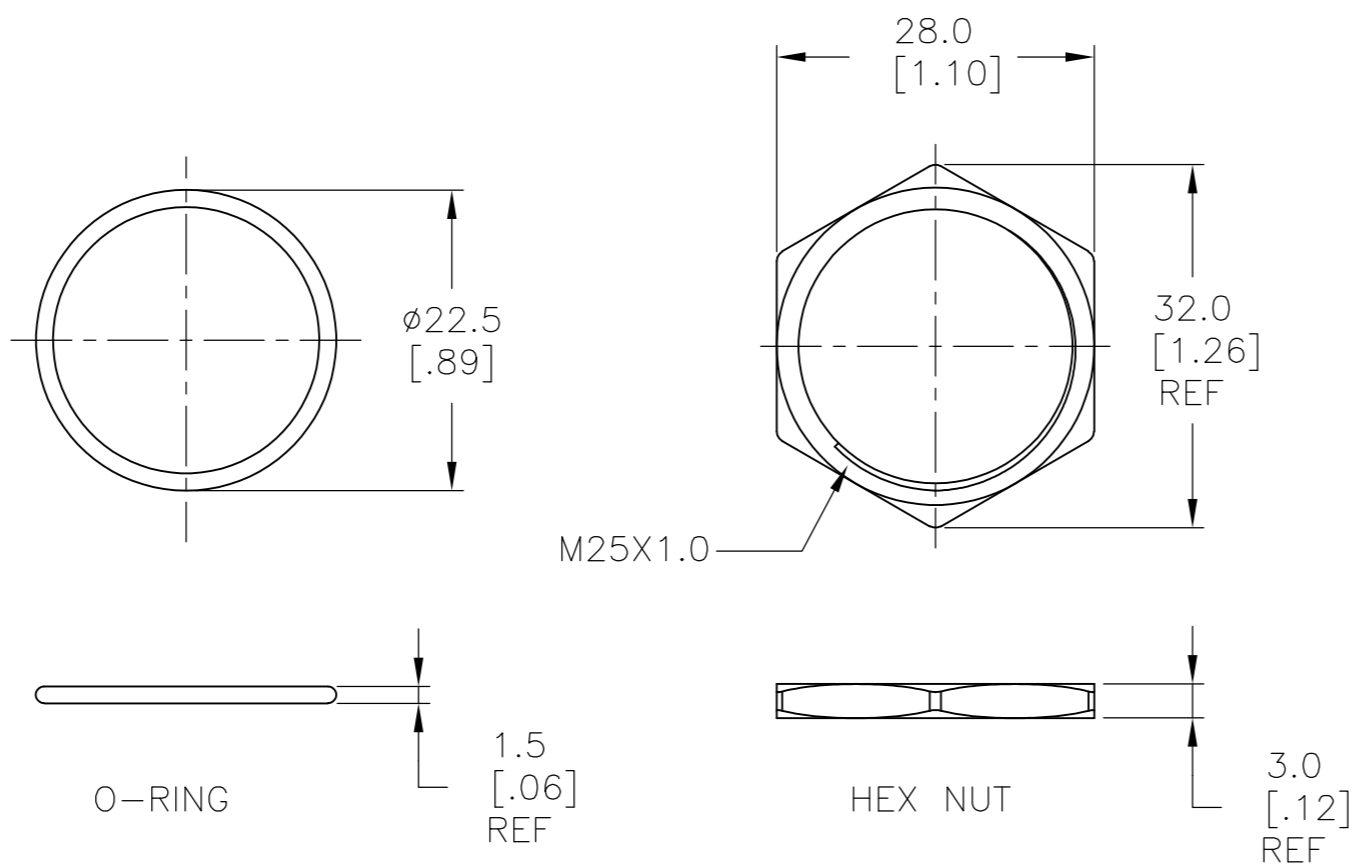
### DOUBLE POLE SWITCH WITH NO LED AND WITH FLYING LEADS



WIRE=18AWG, 300V(YELLOW/GREEN/PURPLE)



ASSEMBLED VIEW



THIS DRAWING IS A CONTROLLED DOCUMENT.		DWN SHIVAKUMAR S S 16MAR2017														
DIMENSIONS: mm [INCHES]		CHK SANJAY SHINDIKAR 16MAR2017														
TOLERANCES UNLESS OTHERWISE SPECIFIED:		APVD SANJAY SHINDIKAR 16MAR2017	NAME ANTI-VANDAL SWITCH 25mm, NO LED AND FLYING LEADS													
<table border="1"> <tr><td>0 PLC</td><td>± -</td></tr> <tr><td>1 PLC</td><td>± 0.4[016]</td></tr> <tr><td>2 PLC</td><td>± 0.25[010]</td></tr> <tr><td>3 PLC</td><td>± -</td></tr> <tr><td>4 PLC</td><td>± -</td></tr> <tr><td>ANGLES</td><td>± 2°</td></tr> </table>		0 PLC	± -	1 PLC	± 0.4[016]	2 PLC	± 0.25[010]	3 PLC	± -	4 PLC	± -	ANGLES	± 2°	PRODUCT SPEC -	SIZE A2	CAGE CODE 00779
0 PLC	± -															
1 PLC	± 0.4[016]															
2 PLC	± 0.25[010]															
3 PLC	± -															
4 PLC	± -															
ANGLES	± 2°															
MATERIAL -		FINISH -	WEIGHT 0	SCALE 1:1												
		CUSTOMER DRAWING		SHEET 2 OF 3												
				REV A												



THIS DRAWING IS UNPUBLISHED. RELEASED FOR PUBLICATION  
 © COPYRIGHT - By - ALL RIGHTS RESERVED.

REVISIONS					
P	LTR	DESCRIPTION	DATE	DWN	APVD
-	-	SEE SHEET 1	-	-	-

**SPECIFICATION:**


CONTACT RATING: SILVER; 3A @ 250VAC RESISTIVE  
 GOLD; 0.4A @ 20VDC OR PEAK AC  
 INSULATION RESISTANCE: 1,000MΩ MIN AT 500VDC  
 DIELECTRIC STRENGTH: 2,000V RMS @ SEA LEVEL  
 CONTACT RESISTANCE: 50mΩ MAX @ 1A 12VDC (INITIAL VALUE), SOLDER TERMINALS  
 100mΩ MAX @ 1A 12VDC(INITIAL VALUES), FLYING LEADS.  
 ELECTRICAL LIFE CYCLES: 50,000 MAKE AND BREAK CYCLES AT FULL LOAD.  
 ACTUATION FORCE: SP: 2.5±1 NEWTON. DP: 3.5±1 NEWTON  
 ACTUATION TRAVEL: 3.2MM  
 SEALED PER IP67, IK08 (STAINLESS)  
 OPERATING TEMPERATURE: -20°C TO +55°C  
 MECHANICAL LIFECYCLES: MOMENTARY; 1,000,000 CYCLES  
 LOCKING; 500,000 CYCLES  
 HARDWARE TORQUE: 5-14 N-m.

**MATERIALS**

BUSHING: STAINLESS STEEL,  
 BASE: PBT (UL 94-V0), PC (UL 94-V2),  
 ACTUATOR: STAINLESS STEEL, PC  
 SEALING: O-RING (SILICONE),  
 TERMINAL/CONTACT: COPPER BASE, SILVER/GOLD PLATED,  
 HEX NUT: BRASS BASE, NICKEL PLATED,  
 WIRE:UL3385.

1. ALL MATERIAL AND FINISHES SHALL COMPLY WITH EU DIRECTIVE 2002/95/EC OF 27JAN2003(ROHS).

SILVER	FLYING LEADS TERMINALS	DOUBLE POLE -- LOCKING	-	-	AV2521000T5Q04	2317655-4
		DOUBLE POLE -- MOMENTARY	-	-	AV2520000T5Q04	2317655-3
		SINGLE POLE -- LOCKING	-	-	AV2511000T5Q04	2317655-2
		SINGLE POLE -- MOMENTARY	-	-	AV2510000T5Q04	2317655-1
CONTACT FINISH	TERMINAL OPTION	POLE/THROW	LED COLOR	LED VOLTAGE	TE DESCRIPTIVE PART NUMBER	TE PART NUMBER

THIS DRAWING IS A CONTROLLED DOCUMENT.		DWN 16MAR2017 SHIVAKUMAR S S	 TE Connectivity			
DIMENSIONS: mm [INCHES]		CHK 16MAR2017 SANJAY SHINDIKAR				
TOLERANCES UNLESS OTHERWISE SPECIFIED:		APVD 16MAR2017 SANJAY SHINDIKAR	NAME ANTI-VANDAL SWITCH 25mm, NO LED AND FLYING LEADS			
0 PLC ± - 1 PLC ± 0.4[.016] 2 PLC ± 0.25[.010] 3 PLC ± - 4 PLC ± - ANGLES ± 2°		PRODUCT SPEC -	SIZE A2			
MATERIAL -		FINISH -	APPLICATION SPEC -	WEIGHT 0	CAGE CODE 00779	DRAWING NO C=2317655
CUSTOMER DRAWING			SCALE 1:1	SHEET 3 of 3	REV A	RESTRICTED TO -