



Chipsmall Limited consists of a professional team with an average of over 10 year of expertise in the distribution of electronic components. Based in Hongkong, we have already established firm and mutual-benefit business relationships with customers from,Europe,America and south Asia,supplying obsolete and hard-to-find components to meet their specific needs.

With the principle of “Quality Parts,Customers Priority,Honest Operation,and Considerate Service”,our business mainly focus on the distribution of electronic components. Line cards we deal with include Microchip,ALPS,ROHM,Xilinx,Pulse,ON,Everlight and Freescale. Main products comprise IC,Modules,Potentiometer,IC Socket,Relay,Connector.Our parts cover such applications as commercial,industrial, and automotives areas.

We are looking forward to setting up business relationship with you and hope to provide you with the best service and solution. Let us make a better world for our industry!



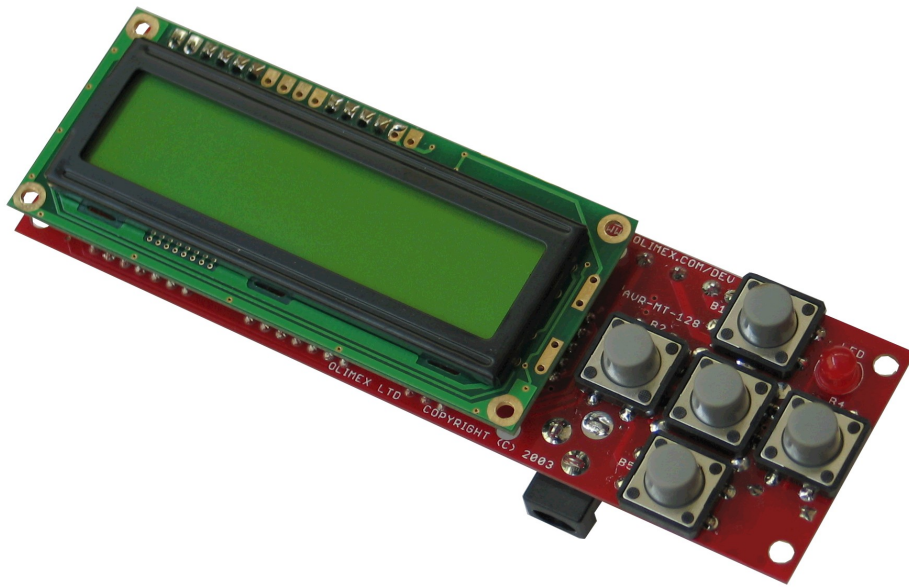
## Contact us

Tel: +86-755-8981 8866 Fax: +86-755-8427 6832

Email & Skype: info@chipsmall.com Web: www.chipsmall.com

Address: A1208, Overseas Decoration Building, #122 Zhenhua RD., Futian, Shenzhen, China





## AVR-MT128 development board

## Users Manual

Rev.A, July 2008  
Copyright(c) 2008, OLIMEX Ltd, All rights reserved

## INTRODUCTION:

**AVR-MT128** is simple but powerful board which uses the MCU ATmega128 from Atmel. With its LCD, buttons, relay and variety of interfaces such as RS232 (in two variants – 4 pins and DB9), JTAG, ISCP, Dallas, etc. this board is suitable for different embedded systems applications.

## BOARD FEATURES:

- MCU: **ATmega128-16AI** with 128K Bytes Program Flash, 4K Bytes data EEPROM, 4K Bytes RAM
- JTAG connector for in-circuit programming and debugging with AVR-JTAG
- ICSP 5x2 (10) pin STKxxx compatible connector for in-circuit programming with AVR-PG1B or AVR-PG2B
- RS232 connector with TTL levels
- RS232 interface circuit with Tx, Rx signals
- RS232 DB9 female connector
- Dallas touch button port
- Frequency input
- LCD 16x2 display
- Status LED
- Five buttons
- Buzzer
- Power supply circuit +5V, 78L05 with plug-in power jack and diode bridge
- 32 768 Hz oscillator crystal
- 16 MHz crystal oscillator
- Power supply filtering capacitor
- RESET supervisor IC ZM33064
- RELAY with 10A/250VAC NO and NC contacts with screw terminals
- Extension headers for unused in the schematic ports available for external connection
- PCB: FR-4, 1.5 mm (0,062"), green soldermask, white silkscreen component print
- Four mounting holes 3.3 mm (0.13")
- Dimensions: 120x38 mm (4.7x1.5")

## ELECTROSTATIC WARNING:

The AVR-MT128 board must not be subject to high electrostatic potentials. General practice for working with static sensitive devices should be applied when working with this board.

## BOARD USE REQUIREMENTS:

- Cables:** RS232 straight male-to-female DB9 cable (Note: this is not a null modem cable)
- Hardware:** Programmer: AVR-PG1, AVR-PG2, AVR-ISP500, AVR-ISP500-TINY, AVR-ISP500-ISO or other compatible tool;  
Debugger: AVR-JTAG, AVR-JTAG-USB or other compatible tool;

**Software:** AVR Studio + WinAVR – free C compiler and debugger can be downloaded at [avrfreaks.org](http://avrfreaks.org) web site. IAR IW for AVR is a commercial software for development of embedded systems software.

## **PROCESSOR FEATURES:**

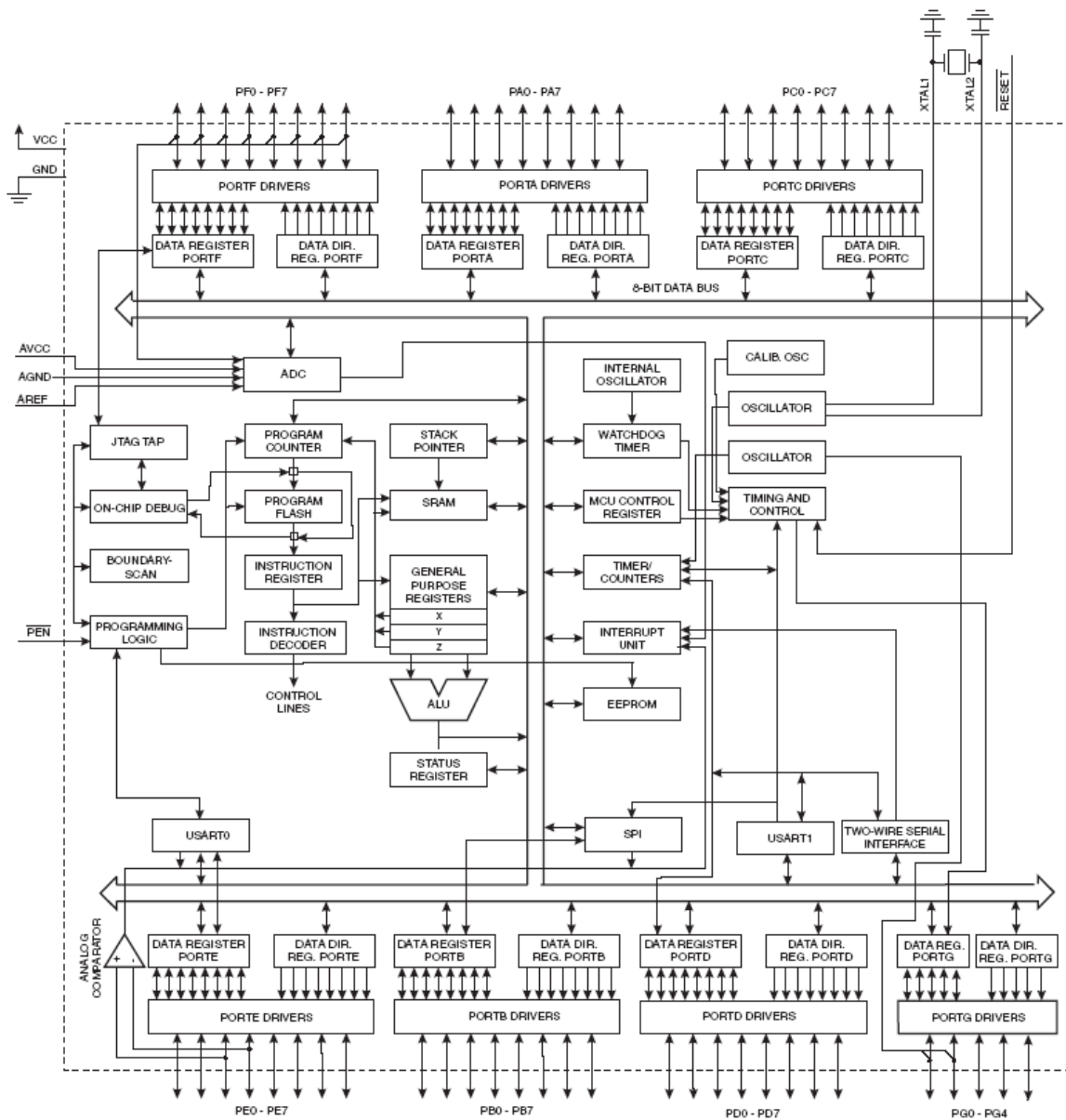
**AVR-MT128** uses ATmega128 MCU from Atmel with the following features:

- High-performance, Low-power AVR® 8-bit Microcontroller
- Advanced RISC Architecture
  - o 133 Powerful Instructions – Most Single Clock Cycle Execution
  - o 32 x 8 General Purpose Working Registers + Peripheral Control Registers
  - o Fully Static Operation
  - o Up to 16 MIPS Throughput at 16 MHz
  - o On-chip 2-cycle Multiplier
  - o Nonvolatile Program and Data Memories
  - o 128K Bytes of In-System Reprogrammable Flash  
Endurance: 10,000 Write/Erase Cycles
  - o Optional Boot Code Section with Independent Lock Bits  
In-System Programming by On-chip Boot Program  
True Read-While-Write Operation
  - o 4K Bytes EEPROM  
Endurance: 100,000 Write/Erase Cycles
  - o 4K Bytes Internal SRAM
  - o Up to 64K Bytes Optional External Memory Space
  - o Programming Lock for Software Security
  - o SPI Interface for In-System Programming
- JTAG (IEEE std. 1149.1 Compliant) Interface
  - o Boundary-scan Capabilities According to the JTAG Standard
  - o Extensive On-chip Debug Support
  - o Programming of Flash, EEPROM, Fuses and Lock Bits through the JTAG Interface
- Peripheral Features
  - o Two 8-bit Timer/Counters with Separate Prescalers and Compare Modes
  - o Two Expanded 16-bit Timer/Counters with Separate Prescaler, Compare Mode and Capture Mode
  - o Real Time Counter with Separate Oscillator
  - o Two 8-bit PWM Channels
  - o 6 PWM Channels with Programmable Resolution from 2 to 16 Bits
  - o Output Compare Modulator
  - o 8-channel, 10-bit ADC  
8 Single-ended Channels  
7 Differential Channels  
2 Differential Channels with Programmable Gain at 1x, 10x, or 200x
  - o Byte-oriented Two-wire Serial Interface
  - o Dual Programmable Serial USARTs
  - o Master/Slave SPI Serial Interface
  - o Programmable Watchdog Timer with On-chip Oscillator
  - o On-chip Analog Comparator
- Special Microcontroller Features
  - o Power-on Reset and Programmable Brown-out Detection
  - o Internal Calibrated RC Oscillator
  - o External and Internal Interrupt Sources

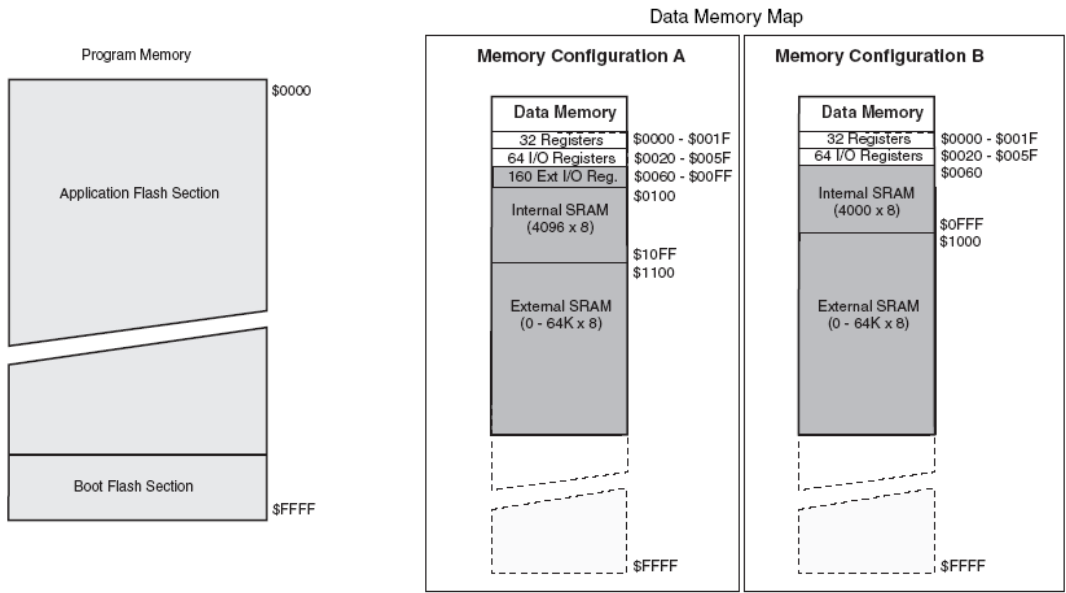


- Six Sleep Modes: Idle, ADC Noise Reduction, Power-save, Power-down, Standby, and Extended Standby
- Software Selectable Clock Frequency
- ATmega103 Compatibility Mode Selected by a Fuse
- Global Pull-up Disable
- I/O and Packages
  - 53 Programmable I/O Lines
  - 64-lead TQFP and 64-pad MLF
- Operating Voltages
  - 4.5 - 5.5V for ATmega128
- Speed Grades
  - 0 - 16 MHz for ATmega128

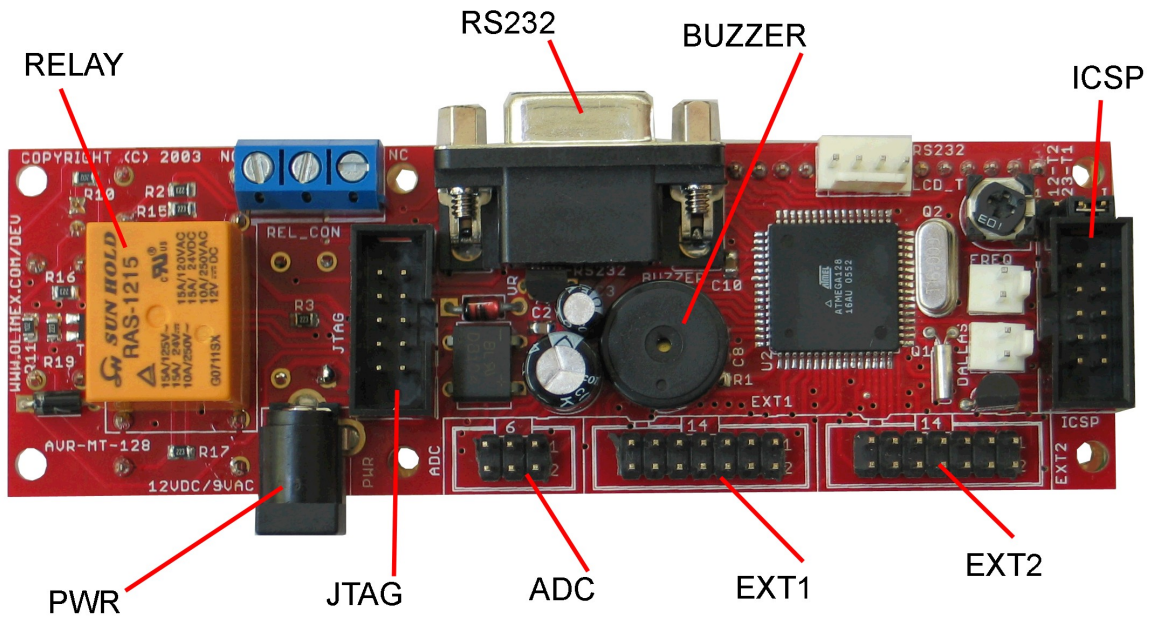
## **BLOCK DIAGRAM:**



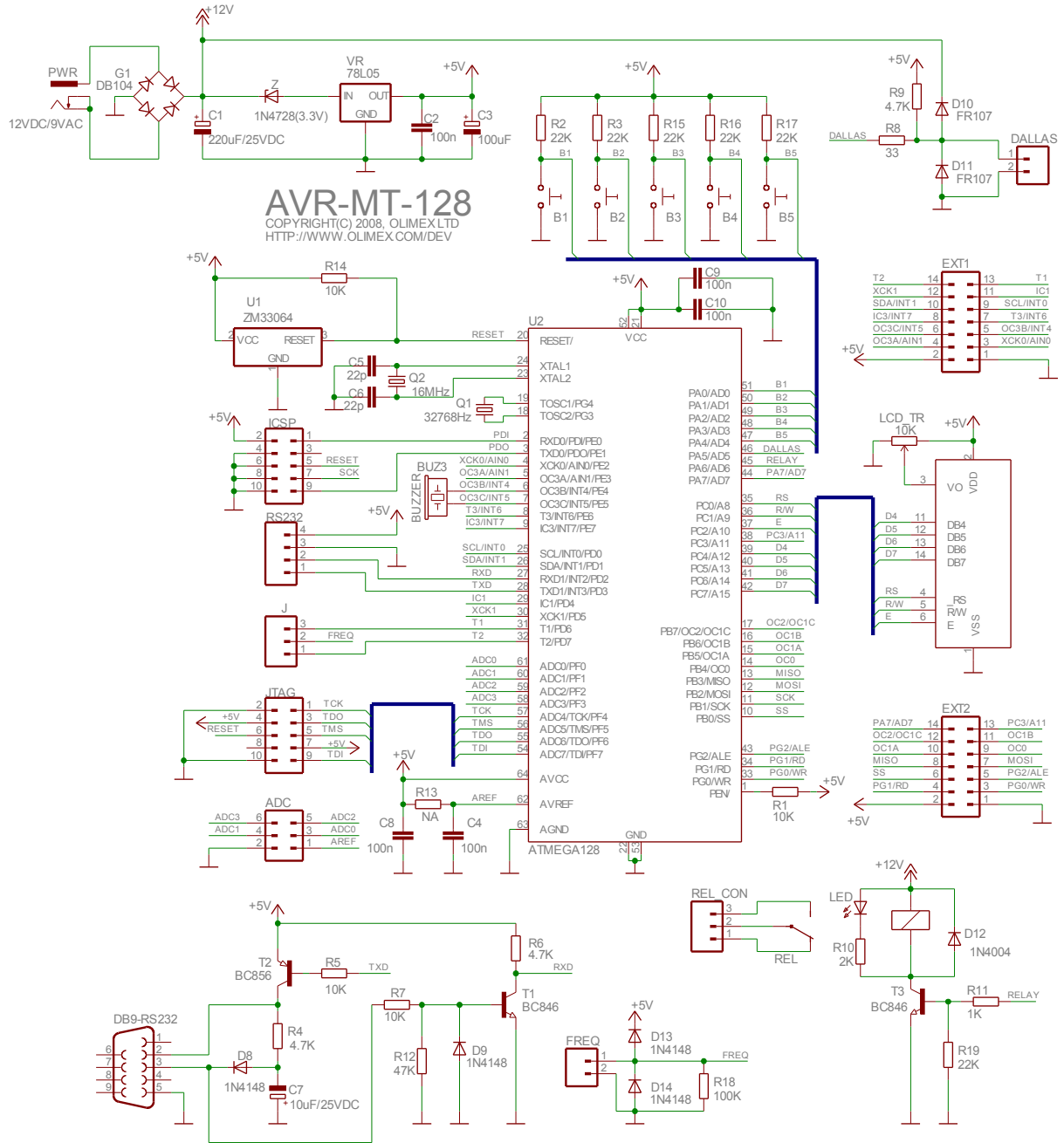
# MEMORY MAP:



# BOARD LAYOUT:



# SCHEMATIC:



## POWER SUPPLY CIRCUIT:

The power supply of AVR-MT128 is taken from Power jack connector. You should apply 9 VAC or +12 VDC at the positive central pin. The consumption of the board is about 30 mA.

## RESET CIRCUIT:

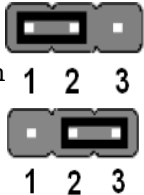
AVR-MT128 reset circuit is made with ZM33064 with typical threshold 4.5V. When the voltage falls below that minimum, the MSU resets.

## CLOCK CIRCUIT:

Quartz crystal 16MHz for maximum performance is connected to ATmega128 pin 23 (XTAL2) and pin 24 (XTAL1). Additional 32 768 Hz tact generator is connected to ATmega128 pin 18 (TOSC2/PG3) and pin 19 (TOSC1/PG4) and supplies the Real Time Clock.

## JUMPER DESCRIPTION:

J



pin 31  
frequency pin  
connected to

1 2 3

This jumper supplies the input user frequency **FREQ** to either (T1/PD6) or pin 32 (T2/PD7). When 1-2 is shorted the input frequency pin is connected to T2. When 2-3 is shorted the input frequency pin is T1.

Default state is 1-2 shorted.

## INPUT/OUTPUT:

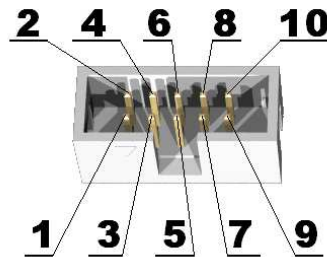
**Status LED** (red) connected to the relay.  
**Relay** with name **REL** connected to ATmega128 pin 45 (PA6/AD6).  
**Trimmer LED TR** connected to the LCD.  
**Liquid crystal display.**  
**Buzzer** with name **BUZZ** connected to ATmega128 pin 6 (OC3B/INT4/PE4) and pin 7 (OC3C/INT5/PE5).  
**User button B1** connected to ATmega128 pin 51 (PA0/AD0).  
**User button B2** connected to ATmega128 pin 50 (PA1/AD1).  
**User button B3** connected to ATmega128 pin 49 (PA2/AD2).  
**User button B4** connected to ATmega128 pin 48 (PA3/AD3).  
**User button B5** connected to ATmega128 pin 47 (PA4/AD4).



## CONNECTOR DESCRIPTIONS:

### JTAG:

Pin #	Signal Name
1	TCK
2	GND
3	TDO
4	+5V
5	TMS
6	RESET
7	+5V
8	NC
9	TDI
10	GND



This connector allows programming and debugging via AVR-JTAG or other compatible tools.

**TDI** Input **Test Data In**. This is the serial data input for the shift register.

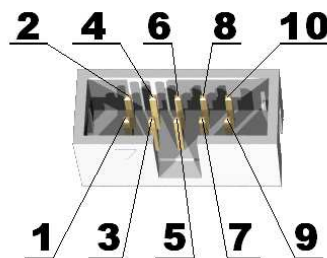
**TDO** Output **Test Data Out**. This is the serial data output for the shift register. Data is shifted out of the device on the negative edge of the TCK signal.

**TMS** Input **Test Mode Select**. The TMS pin selects the next state in the TAP state machine.

**TCK** Input **Test Clock**. This allows shifting of the data in, on the TMS and TDI pins. It is a positive edge triggered clock with the TMS and TCK signals that define the internal state of the device.

### ICSP:

Pin #	Signal Name
1	PDI
2	+5V
3	NC
4	GND
5	RST
6	GND



7	SCK
8	GND
9	PDO
10	GND

This connector allows programming via AVR-PG1, AVR-PG2 or other compatible tool.

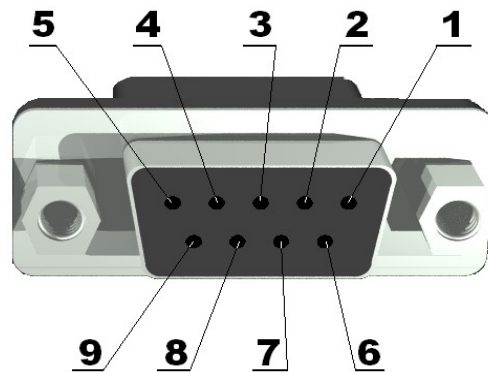
**PDI** Input **Program Data In.** This pin is serial data input for the MCU.

**PDO** Output **Program Data Out.** This pin is serial data output from the MCU.

**SCK** I/O **Serial (Synchronization) Clock.** This is the synchronization signal.

### DB9-RS232:

Pin #	Signal Name
1	NC
2	TXD
3	RXD
4	NC
5	GND
6	NC
7	NC
8	NC
9	NC

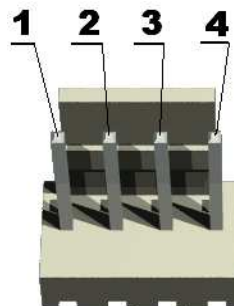


**TXD** Output **Transmit Data.** This is the asynchronous serial data output for the RS232 interface.

**RXD** Input **Receive Data.** This is the asynchronous serial data input for the RS232 interface.

### RS232:

Pin #	Signal Name
1	TXD
2	RXD
3	GND



4	+5V

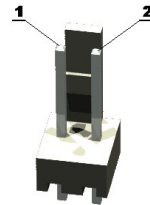
### RELAY CONNECTOR:



This connector provides the user with access to the contact plates of the relay.

### FREQ:

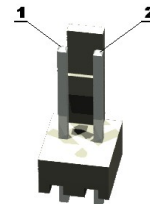
Pin #	Signal Name
1	FREQ
2	GND



External input frequency is applied at pin 1.

### DALLAS:

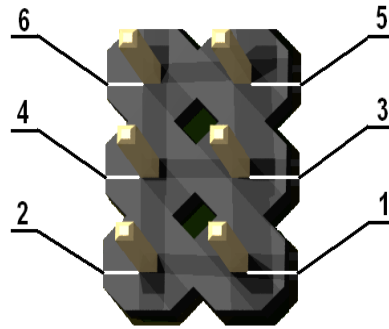
Pin #	Signal Name
1	DALLAS
2	GND



Signal from Dallas chips is applied at pin 1 of the Dallas interface.

## ADC:

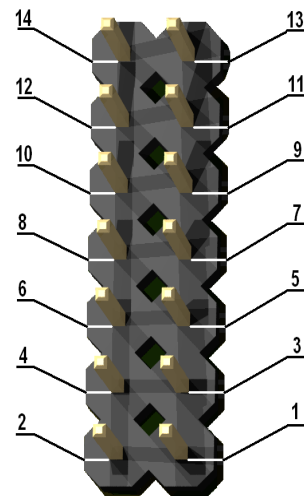
Pin #	Signal Name
1	AREF
2	GND
3	ADC0
4	ADC1
5	ADC2
6	ADC3



Some of the Analog to Digital Converter signals are grouped into an extension.

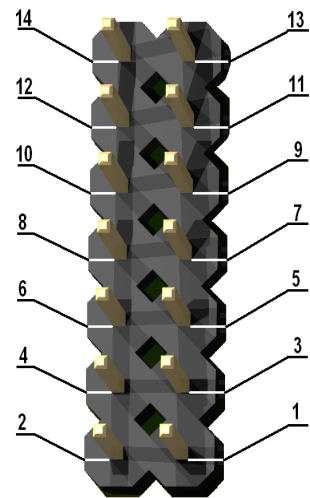
## EXT1:

Pin #	Signal Name
1	GND
2	+5V
3	XCK0/AIN0
4	OC3A/AIN1
5	OC3B/INT4
6	OC3C/INT5
7	T3/INT6
8	IC3/INT7
9	SCL/INT0
10	SDA/INT1
11	IC1
12	XCK1
13	T1
14	T2



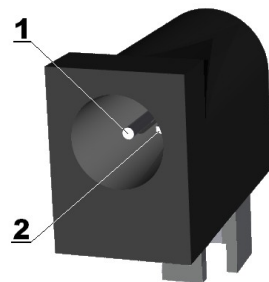
## EXT2:

Pin #	Signal Name
1	GND
2	+5V
3	PG0/WR
4	PG1/RD
5	PG2/ALE
6	SS
7	MOSI
8	MISO
9	OC0
10	OC1A
11	OC1B
12	OC2/OC1C
13	PC3/A11
14	PA7/AD7



## PWR:

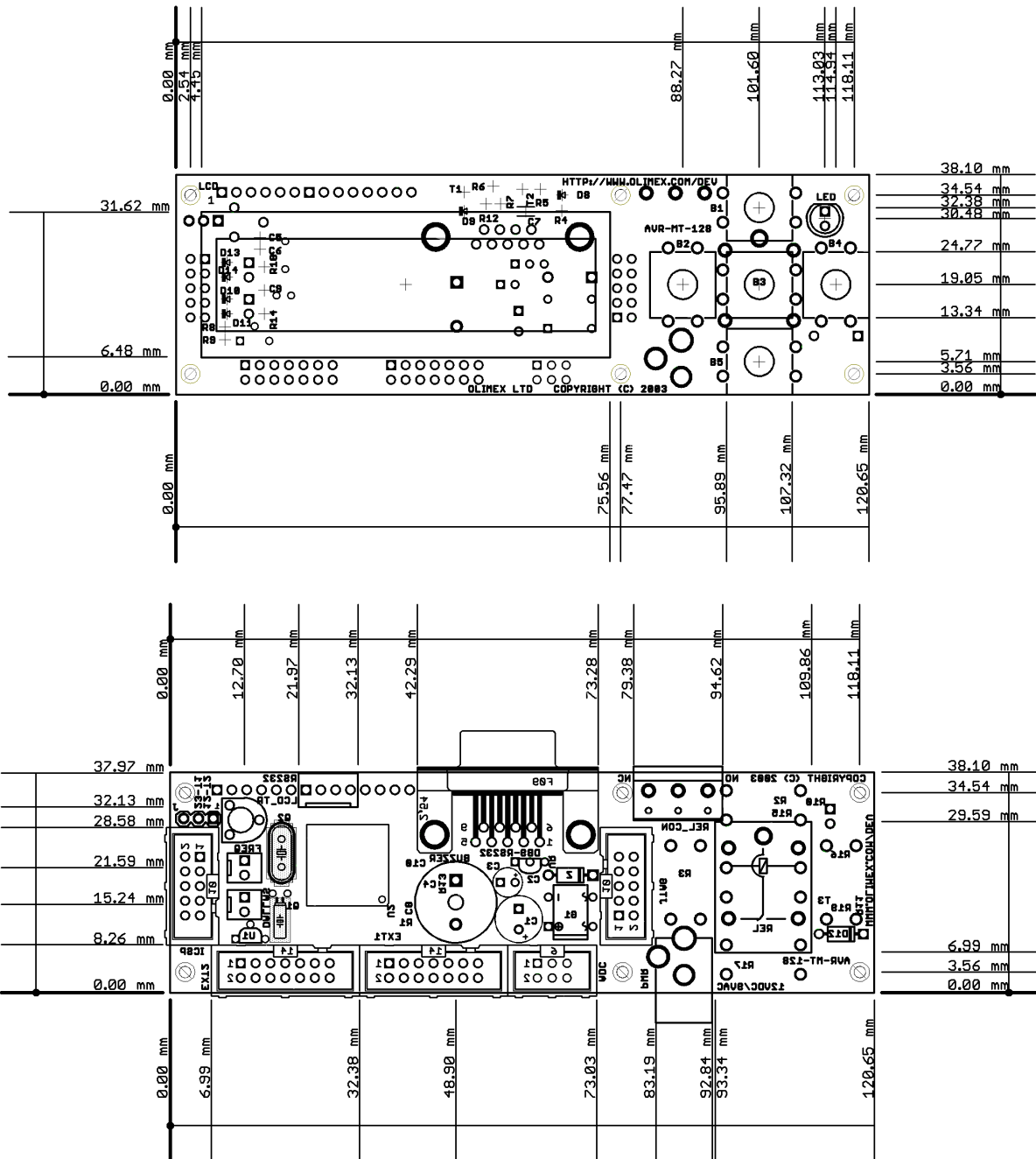
Pin #	Signal Name
1	PWR
2	GND



You should apply 9 VAC or +12VDC on pin 1.



## MECHANICAL DIMENSIONS:



All measures are in mm.

## AVAILABLE DEMO SOFTWARE:

Check for available demo software for **AVR-MT128** on our website:  
[www.olimex.com/dev](http://www.olimex.com/dev).

## ORDER CODE:

**AVR-MT128 - assembled and tested (no kit, no soldering required)**

**How to order?**

**You can order to us directly or by any of our distributors.**

**Check our web [www.olimex.com/dev](http://www.olimex.com/dev) for more info.**



All boards produced by Olimex are ROHS compliant

### **Revision history:**

REV.A - created September 2008

**Disclaimer:**

© 2008 Olimex Ltd. All rights reserved. Olimex®, logo and combinations thereof, are registered trademarks of Olimex Ltd. Other terms and product names may be trademarks of others.

The information in this document is provided in connection with Olimex products. No license, express or implied or otherwise, to any intellectual property right is granted by this document or in connection with the sale of Olimex products.

Neither the whole nor any part of the information contained in or the product described in this document may be adapted or reproduced in any material from except with the prior written permission of the copyright holder.

The product described in this document is subject to continuous development and improvements. All particulars of the product and its use contained in this document are given by OLIMEX in good faith. However all warranties implied or expressed including but not limited to implied warranties of merchantability or fitness for purpose are excluded.

This document is intended only to assist the reader in the use of the product. OLIMEX Ltd. shall not be liable for any loss or damage arising from the use of any information in this document or any error or omission in such information or any incorrect use of the product.