



Chipsmall Limited consists of a professional team with an average of over 10 year of expertise in the distribution of electronic components. Based in Hongkong, we have already established firm and mutual-benefit business relationships with customers from,Europe,America and south Asia,supplying obsolete and hard-to-find components to meet their specific needs.

With the principle of “Quality Parts,Customers Priority,Honest Operation,and Considerate Service”,our business mainly focus on the distribution of electronic components. Line cards we deal with include Microchip,ALPS,ROHM,Xilinx,Pulse,ON,Everlight and Freescale. Main products comprise IC,Modules,Potentiometer,IC Socket,Relay,Connector.Our parts cover such applications as commercial,industrial, and automotives areas.

We are looking forward to setting up business relationship with you and hope to provide you with the best service and solution. Let us make a better world for our industry!



Contact us

Tel: +86-755-8981 8866 Fax: +86-755-8427 6832

Email & Skype: info@chipsmall.com Web: www.chipsmall.com

Address: A1208, Overseas Decoration Building, #122 Zhenhua RD., Futian, Shenzhen, China





SKYWORKS®

AWB7128

2.545 GHz through 2.69 GHz
Small-Cell Power Amplifier Module
PRELIMINARY DATA SHEET

FEATURES

- InGaP HBT Technology
- -47 dBc ACPR @ ± 10 MHz, +24.5 dBm
- 28 dB Gain
- High Efficiency
- Low Transistor Junction Temperature
- Internally matched for a 50 Ω System
- Low Profile Miniature Surface Mount Package; Halogen Free and RoHS Compliant
- Multi-Carrier Capability

APPLICATIONS

- WCDMA, HSDPA and LTE Air Interfaces
- FDD and TDD Systems
- Picocell, Femtocell, Home Nodes
- Customer Premises Equipment (CPE)
- Data Cards and Terminals



PRODUCT DESCRIPTION

The AWB7128 is a highly linear, fully matched, power amplifier module designed for picocell, femtocell, and customer premises equipment (CPE) applications. Its high power efficiency and low adjacent channel power levels meet the extremely demanding needs of small cell infrastructure architectures. Designed for WCDMA, HSDPA and LTE air interfaces operating in the 2.545 GHz to 2.69 GHz band, the AWB7128 delivers up to +24.5 dBm of LTE (E-TM1.1) power with

an ACPR of -47 dBc. It operates from a convenient +4.2 V supply and provides 28 dB of gain. The device is manufactured using an advanced InGaP HBT MMIC technology offering state-of-the-art reliability, temperature stability, and ruggedness. The self-contained 7 mm x 7 mm x 1.3 mm surface mount package incorporates RF matching networks optimized for output power, efficiency, and linearity in a 50 Ω system.

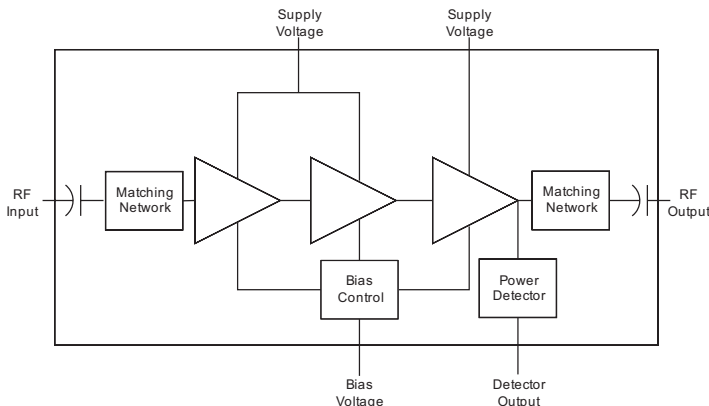


Figure 1: Block Diagram

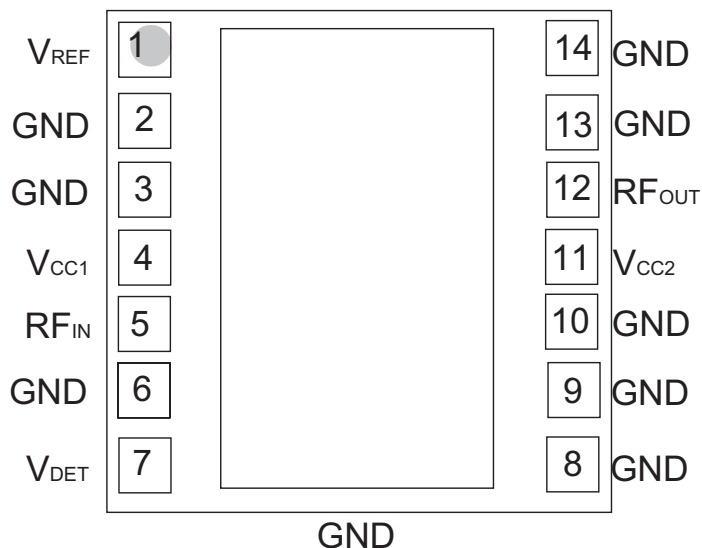


Figure 2: Pinout (X-ray Top View)

Table 1: Pin Description

| PIN | NAME | DESCRIPTION |
|-----|-------------------|-------------------|
| 1 | V _{REF} | Reference Voltage |
| 2 | GND | Ground |
| 3 | GND | Ground |
| 4 | V _{CC1} | Supply Voltage |
| 5 | RF _{IN} | RF Input |
| 6 | GND | Ground |
| 7 | V _{DET} | Detector Voltage |
| 8 | GND | Ground |
| 9 | GND | Ground |
| 10 | GND | Ground |
| 11 | V _{CC2} | Supply Voltage |
| 12 | RF _{OUT} | RF Output |
| 13 | GND | Ground |
| 14 | GND | Ground |

ELECTRICAL CHARACTERISTICS

Table 2: Absolute Minimum and Maximum Ratings

| PARAMETER | MIN | MAX | UNIT |
|--|----------------------|--------|----------------|
| Supply Voltage (V _{CC}) | 0 | +5 | V |
| Reference Voltage (V _{REF}) | 0 | +3.5 | V |
| RF Output Power (P _{OUT}) | - | +28 | dBm, modulated |
| RF Input Power (P _{IN}) | - | +10 | dBm, CW |
| ESD Rating Human Body Model ⁽¹⁾ Charged Device Model ⁽²⁾ | Class 1C Class IV | - - | |
| MSL Rating ⁽³⁾ | 4 | - | |
| Junction Temperature (T _J) | - | +150 | °C |
| Storage Temperature (T _{STG}) | -40 | +150 | °C |

Functional operation is not implied under these conditions. Exceeding any one or a combination of the Absolute Maximum Rating Conditions may cause permanent damage to the device. Exposure to absolute ratings for extended periods of time may adversely affect reliability.

- Notes:
 (1) JEDEC JS-001-2010.
 (2) JEDEC JESD22-C101D.
 (3) 260 °C peak reflow.

Table 3: Operating Ranges

| PARAMETER | MIN | TYP | MAX | UNIT | COMMENTS |
|--|------------|------------|---------------|------|---------------------------|
| Operating Frequency (f) | 2545 | - | 2690 | MHz | |
| Supply Voltage (V _{CC}) | +3.2 | +4.2 | +4.5 | V | |
| Reference Voltage (V _{REF}) | +2.80 0 | +2.85 - | +2.90 +0.5 | V | PA "on" PA "shut down" |
| RF Output Power (P _{OUT}) ⁽¹⁾ | - | +24.5 | - | dBm | |
| Case Temperature (T _C) ⁽²⁾ | -40 | - | +85 | °C | |

The device may be operated safely over these conditions; however, parametric performance is guaranteed only over the conditions defined in the electrical specifications.

- Notes:
 (1) Typ RF Output Power is used during production test.
 (2) Case Temperature references the board temperature at the ground paddle on the backside of the package.

Table 4: Electrical Specifications
 (T_C = +25 °C, V_{CC} = +4.2 V, V_{REF} = +2.85 V, 50 Ω system)

| PARAMETER | MIN | TYP | MAX | UNIT | COMMENTS |
|--|--------|------------|------------|------|--|
| Gain ⁽²⁾ | 26 | 28 | 33 | dB | |
| ACPR ^{(1), (2), (3)} @ 10 MHz @ 20 MHz | - | -47 -58 | -45 -54 | dBc | |
| Power-Added Efficiency ^{(1), (2), (3)} | 13.5 | 16 | - | % | |
| Thermal Resistance (R _{JC}) | - | 24 | - | °C/W | Junction to Case |
| Supply Current ^{(1), (2), (3)} | - | 420 | - | mA | total through V _{CC} pins |
| Quiescent Current (I _{cq}) | - | 160 | 175 | mA | |
| Reference Current | - | 8 | 11 | mA | through V _{REF} pin |
| Leakage Current | - | 1.5 | 5 | μA | V _{CC} = +4.5 V, V _{REF} = 0 V |
| Harmonics 2f _o 3f _o , 4f _o | - | -52 -60 | -46 -50 | dBc | |
| Input Return Loss | 9 | 13 | - | dB | |
| P1dB | - | +30.5 | - | dBm | CW tone |
| RF Switching Time ⁽⁴⁾ Rise Time (PA “off” to “on”) Fall Time (PA “on” to “off”) | - - | - - | 12 4 | μs | V _{CC} = +4.2, V _{REF} switched between 0 V and +2.85 V |
| Spurious Output Level (all spurious outputs) | - | - | -60 | dBc | P _{OUT} ≤ +24.5 dBm In-band load VSWR < 5:1 Out-of-band load VSWR < 10:1 Applies over all voltage and temperature operating ranges |
| Load mismatch stress with no permanent degradation or failure | 8:1 | - | - | VSWR | V _{CC} = +4.2 V, P _{IN} = 0 dBm Applies over full operating temperature range |

Notes:

(1) Measured at 2620 MHz.

(2) P_{OUT} = +24.5 dBm.

(3) E-TM1.1 LTE 10 MHz BW.

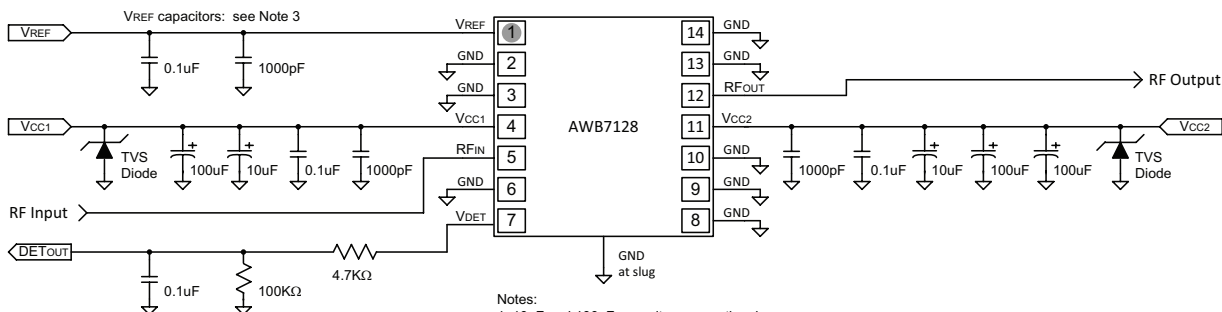
(4) Rise Time defined from time at which V_{REF} is switched from 0 V to +2.85 V, to time at which the RF output power achieves 90% of the average steady-state “on” level; Fall Time defined from time at which V_{REF} is switched from +2.85 V to 0 V, to time at which the RF output power decreases to 10% of the average steady-state “on” level.

APPLICATION INFORMATION

To ensure proper performance, refer to all related Application Notes.

Shutdown Mode

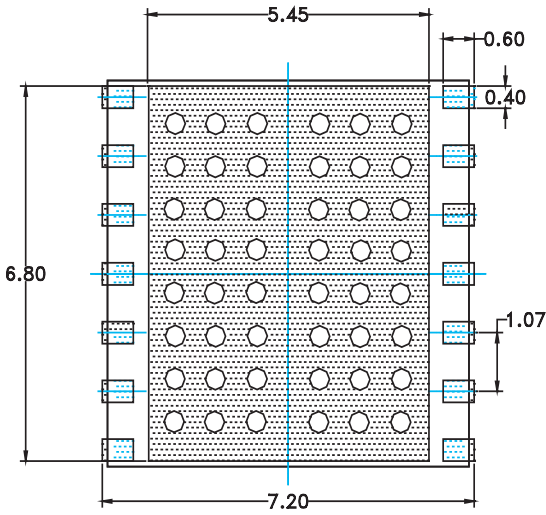
The power amplifier may be placed in a shutdown mode by applying logic low levels (see Operating Ranges table) to the V_{REF} voltage.



Notes:

1. 10uF and 100uF capacitors are optional.
2. Applications that have large supply voltage transients may benefit from the use of TVS diodes. For such applications, recommended TVS diodes are SM05T1G or SMJ5.0A.
3. To achieve the RF Switching Time specifications listed in Table 4, the maximum recommended capacitance on the V_{REF} line is 0.01 μ F. The noise on the V_{REF} line should be kept as low as possible to minimize required capacitance.

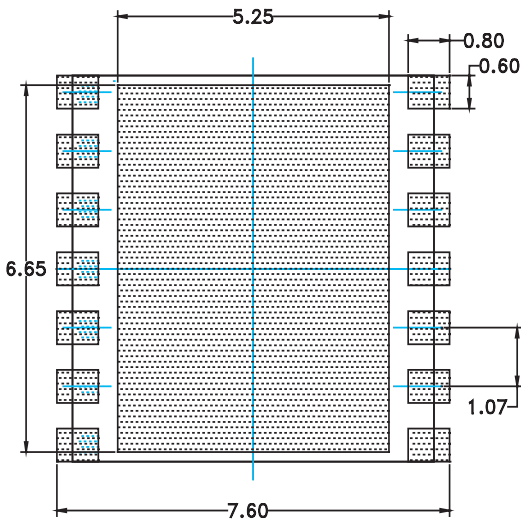
Figure 3: Application Circuit Schematic



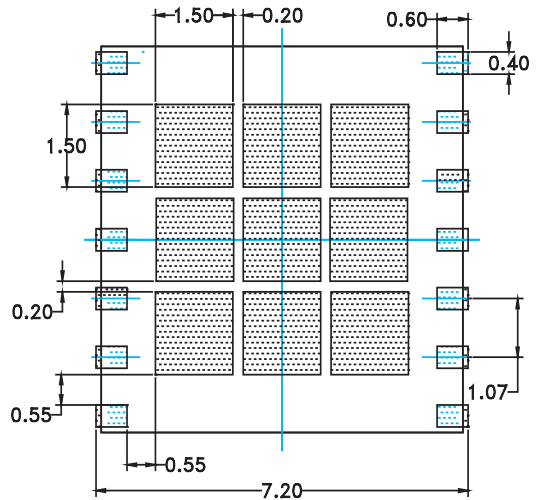
**PCB METAL
TOP (X-RAY) VIEW**
ONLY PACKAGE I/O's AND
GROUND REQUIREMENTS
SHOWN.

NOTES:

- (1) UNLESS SPECIFIED DIMENSIONS ARE SYMMETRICAL ABOUT CENTER LINES SHOWN.
- (2) DIMENSIONS IN MILLIMETERS.
- (3) VIAS SHOWN IN PCB METAL VIEW ARE FOR REFERENCE ONLY. NUMBER & SIZE OF THERMAL VIAS REQUIRED DEPENDENT ON HEAT DISSIPATION REQUIREMENT AND THE PCB PROCESS CAPABILITY.



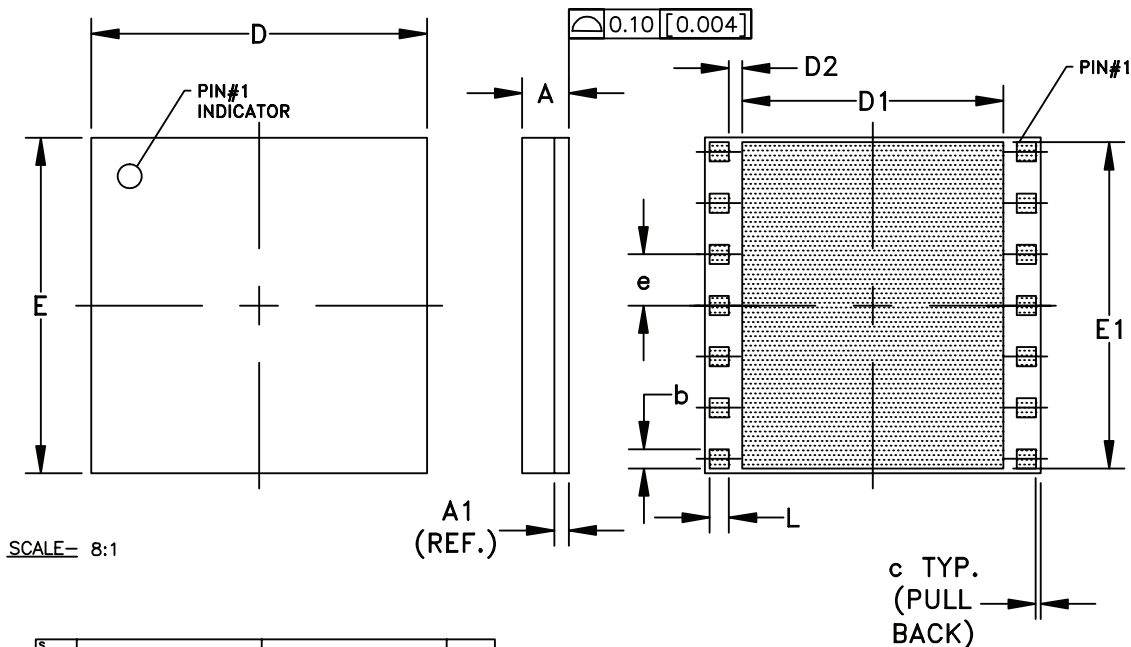
**PCB SOLDER MASK
TOP (X-RAY) VIEW**



**STENCIL APERTURE
TOP (X-RAY) VIEW**

Figure 4: PCB Footprint

PACKAGE OUTLINE



SCALE= 8:1

| Symbol | MILLIMETERS | | | INCHES | | | NOTE |
|--------|-------------|-------|-------|--------------|--------|--------|------|
| | MIN. | NOM. | MAX. | MIN. | NOM. | MAX. | |
| A | 1.22 | 1.32 | 1.42 | 0.048 | 0.052 | 0.056 | - |
| A1 | 0.32 (REF) | | | 0.0126 (REF) | | | - |
| b | 0.387 | 0.400 | 0.413 | 0.0152 | 0.0157 | 0.0162 | 14X |
| c | - | 0.10 | - | - | 0.004 | - | - |
| D | 6.90 | 7.00 | 7.10 | 0.272 | 0.276 | 0.280 | - |
| D1 | - | 5.45 | - | - | 0.215 | - | - |
| D2 | - | 0.275 | - | - | 0.0108 | - | - |
| E | 6.90 | 7.00 | 7.10 | 0.272 | 0.276 | 0.280 | - |
| E1 | - | 6.80 | - | - | 0.268 | - | - |
| e | 1.07 | | | 0.0421 | | | 6X |
| L | 0.387 | 0.400 | 0.413 | 0.0152 | 0.0157 | 0.0162 | 14X |

NOTES:

1. CONTROLLING DIMENSIONS: MILLIMETERS
2. UNLESS SPECIFIED TOLERANCE=±0.076[0.003].
3. PADS (INCLUDING CENTER) SHOWN UNIFORM SIZE FOR REFERENCE ONLY. ACTUAL PAD SIZE AND LOCATION WILL VARY WITHIN MIN. AND MAX. DIMENSIONS ACCORDING TO SPECIFIC LAMINATE DESIGN.

Figure 5: Package Outline - 14 Pin 7 mm x 7 mm x 1.3 mm Surface Mount Module

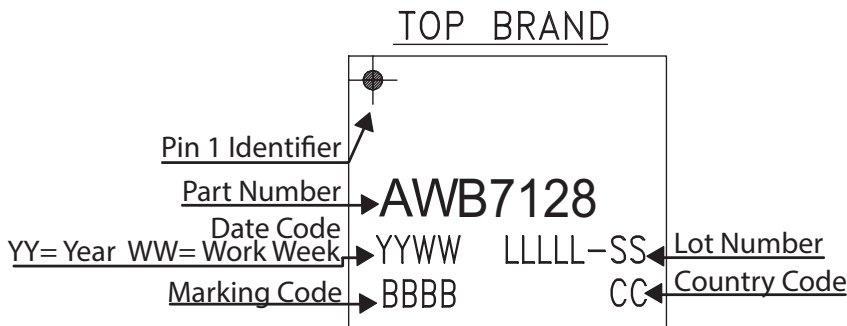


Figure 6: Branding Specification

COMPONENT PACKAGING

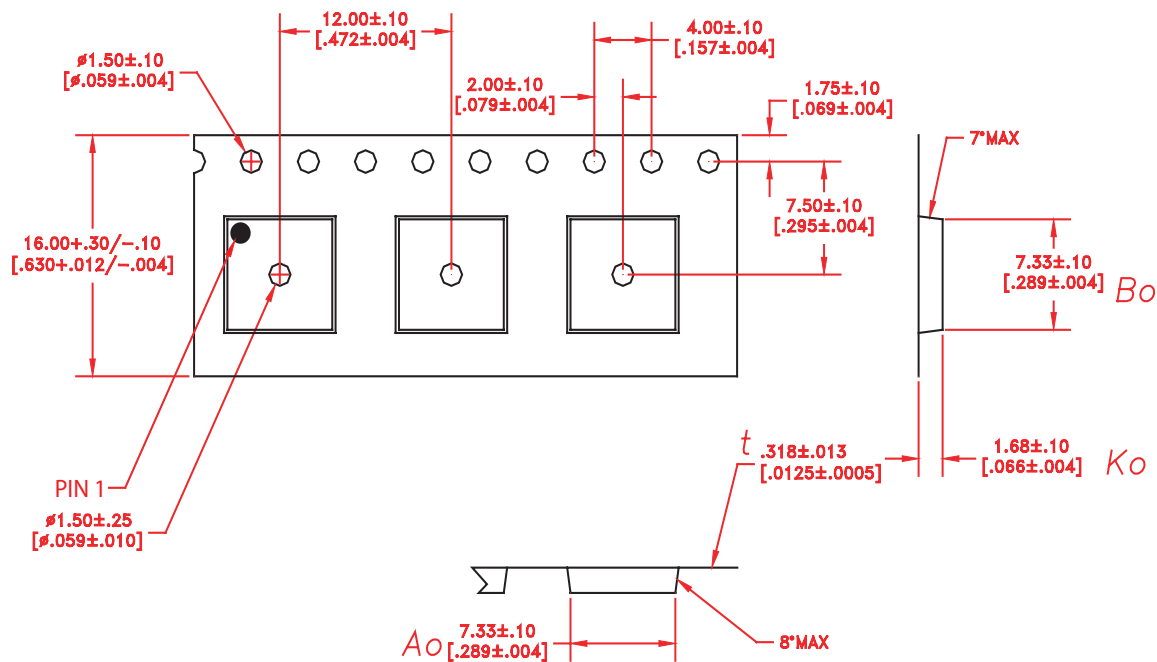


Figure 7: Tape & Reel Packaging

Table 5: Tape & Reel Dimensions

| PACKAGE TYPE | TAPE WIDTH | POCKET PITCH | REEL CAPACITY | MAX REEL DIA |
|----------------------|------------|--------------|---------------|--------------|
| 7 mm x 7 mm x 1.3 mm | 16 mm | 12 mm | 2500 | 13" |

ORDERING INFORMATION

| ORDER NUMBER | TEMPERATURE RANGE | PACKAGE DESCRIPTION | COMPONENT PACKAGING |
|---------------------|--------------------------|---|-------------------------------------|
| AWB7128P8 | -40 °C to +85 °C | Halogen Free RoHS-compliant 14 Pin 7 mm x 7 mm x 1.3 mm Surface Mount Module | Tape and Reel, 2500 pieces per Reel |

Copyright © 2016 Skyworks Solutions, Inc. All Rights Reserved.

Information in this document is provided in connection with Skyworks Solutions, Inc. ("Skyworks") products or services. These materials, including the information contained herein, are provided by Skyworks as a service to its customers and may be used for informational purposes only by the customer. Skyworks assumes no responsibility for errors or omissions in these materials or the information contained herein. Skyworks may change its documentation, products, services, specifications or product descriptions at any time, without notice. Skyworks makes no commitment to update the materials or information and shall have no responsibility whatsoever for conflicts, incompatibilities, or other difficulties arising from any future changes.

No license, whether express, implied, by estoppel or otherwise, is granted to any intellectual property rights by this document. Skyworks assumes no liability for any materials, products or information provided hereunder, including the sale, distribution, reproduction or use of Skyworks products, information or materials, except as may be provided in Skyworks Terms and Conditions of Sale.

THE MATERIALS, PRODUCTS AND INFORMATION ARE PROVIDED "AS IS" WITHOUT WARRANTY OF ANY KIND, WHETHER EXPRESS, IMPLIED, STATUTORY, OR OTHERWISE, INCLUDING FITNESS FOR A PARTICULAR PURPOSE OR USE, MERCHANTABILITY, PERFORMANCE, QUALITY OR NON-INFRINGEMENT OF ANY INTELLECTUAL PROPERTY RIGHT; ALL SUCH WARRANTIES ARE HEREBY EXPRESSLY DISCLAIMED. SKYWORKS DOES NOT WARRANT THE ACCURACY OR COMPLETENESS OF THE INFORMATION, TEXT, GRAPHICS OR OTHER ITEMS CONTAINED WITHIN THESE MATERIALS. SKYWORKS SHALL NOT BE LIABLE FOR ANY DAMAGES, INCLUDING BUT NOT LIMITED TO ANY SPECIAL, INDIRECT, INCIDENTAL, STATUTORY, OR CONSEQUENTIAL DAMAGES, INCLUDING WITHOUT LIMITATION, LOST REVENUES OR LOST PROFITS THAT MAY RESULT FROM THE USE OF THE MATERIALS OR INFORMATION, WHETHER OR NOT THE RECIPIENT OF MATERIALS HAS BEEN ADVISED OF THE POSSIBILITY OF SUCH DAMAGE.

Skyworks products are not intended for use in medical, lifesaving or life-sustaining applications, or other equipment in which the failure of the Skyworks products could lead to personal injury, death, physical or environmental damage. Skyworks customers using or selling Skyworks products for use in such applications do so at their own risk and agree to fully indemnify Skyworks for any damages resulting from such improper use or sale.

Customers are responsible for their products and applications using Skyworks products, which may deviate from published specifications as a result of design defects, errors, or operation of products outside of published parameters or design specifications.

Customers should include design and operating safeguards to minimize these and other risks. Skyworks assumes no liability for applications assistance, customer product design, or damage to any equipment resulting from the use of Skyworks products outside of stated published specifications or parameters.

Skyworks and the Skyworks symbol are trademarks or registered trademarks of Skyworks Solutions, Inc., in the United States and other countries. Third-party brands and names are for identification purposes only, and are the property of their respective owners. Additional information, including relevant terms and conditions, posted at www.skyworksinc.com, are incorporated by reference.

Skyworks Solutions, Inc.

Phone [781] 376-3000 • Fax [781] 376-3100 • sales@skyworksinc.com • www.skyworksinc.com

Skyworks Proprietary and Confidential information • Products and Product Information are Subject to Change Without Notice