



Chipsmall Limited consists of a professional team with an average of over 10 year of expertise in the distribution of electronic components. Based in Hongkong, we have already established firm and mutual-benefit business relationships with customers from,Europe,America and south Asia,supplying obsolete and hard-to-find components to meet their specific needs.

With the principle of "Quality Parts,Customers Priority,Honest Operation,and Considerate Service",our business mainly focus on the distribution of electronic components. Line cards we deal with include Microchip,ALPS,ROHM,Xilinx,Pulse,ON,Everlight and Freescale. Main products comprise IC,Modules,Potentiometer,IC Socket,Relay,Connector.Our parts cover such applications as commercial,industrial, and automotives areas.

We are looking forward to setting up business relationship with you and hope to provide you with the best service and solution. Let us make a better world for our industry!



Contact us

Tel: +86-755-8981 8866 Fax: +86-755-8427 6832

Email & Skype: info@chipsmall.com Web: www.chipsmall.com

Address: A1208, Overseas Decoration Building, #122 Zhenhua RD., Futian, Shenzhen, China



WIDE BAND CHOKE

AWBC-09



RoHS/RoHS II Compliant



Φ6.00 x 10.00mm

FEATURES:

- EMI suppression component with compact size, high impedance and medium current
- Widely used in PC products to filter EMI from the outside
- CE, FCC Compliant

APPLICATIONS:

- Computer products, motherboard, TV card
- Power supply cables, OA products, modem
- Communication equipments

Key Electrical Specifications

Operating Temperature

-40°C to +85°C

Storage Temperature

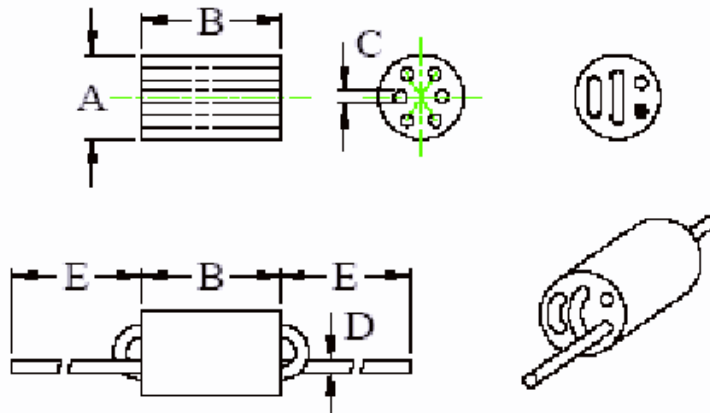
-40°C to +85°C

Impedance	Test Frequency
$\Omega \pm 25\%$	MHz
598	25
800	100

Test Conditions

Instrument: Agilent 4294A Precision Impedance Analyzer

OUTLINE DIMENSIONS:



A	B	C	D	E
6.0±0.5	10.0±0.5	0.90±0.15	0.50±0.05	40.0±3.0

Dimension: mm

Packing: 1500pcs/box

ATTENTION: Abracon Corporation's products are COTS – Commercial-Off-The-Shelf products; suitable for Commercial, Industrial and, where designated, Automotive Applications. Abracon's products are not specifically designed for Military, Aviation, Aerospace, Life-dependant Medical applications or any application requiring high reliability where component failure could result in loss of life and/or property. For applications requiring high reliability and/or presenting an extreme operating environment, written consent and authorization from Abracon Corporation is required. Please contact Abracon Corporation for more information.

ABRACON IS
ISO 9001:2008
CERTIFIED



Visit www.abracon.com for Terms & Conditions of Sale
30332 Esperanza, Rancho Santa Margarita, California 92688
tel 949-546-8000 | fax 949-546-8001 | www.abracon.com

Revised: 02.24.14