



Chipsmall Limited consists of a professional team with an average of over 10 year of expertise in the distribution of electronic components. Based in Hongkong, we have already established firm and mutual-benefit business relationships with customers from,Europe,America and south Asia,supplying obsolete and hard-to-find components to meet their specific needs.

With the principle of “Quality Parts,Customers Priority,Honest Operation,and Considerate Service”,our business mainly focus on the distribution of electronic components. Line cards we deal with include Microchip,ALPS,ROHM,Xilinx,Pulse,ON,Everlight and Freescale. Main products comprise IC,Modules,Potentiometer,IC Socket,Relay,Connector.Our parts cover such applications as commercial,industrial, and automotives areas.

We are looking forward to setting up business relationship with you and hope to provide you with the best service and solution. Let us make a better world for our industry!



## Contact us

Tel: +86-755-8981 8866 Fax: +86-755-8427 6832

Email & Skype: info@chipsmall.com Web: www.chipsmall.com

Address: A1208, Overseas Decoration Building, #122 Zhenhua RD., Futian, Shenzhen, China



1

2

3

4

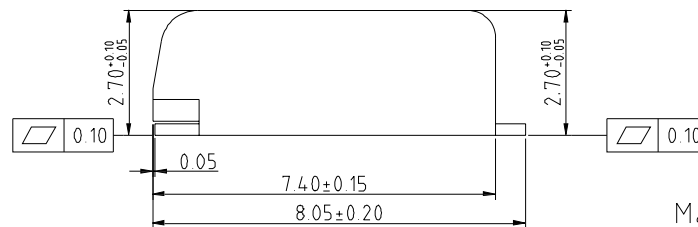
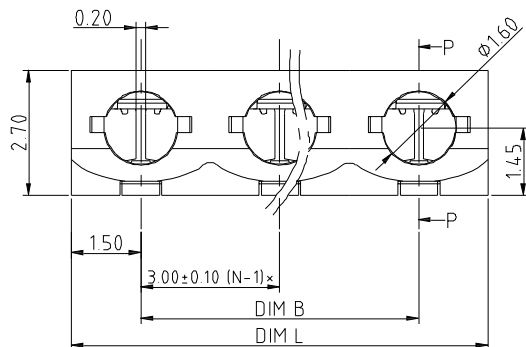
5

6


7

A

A



## Material

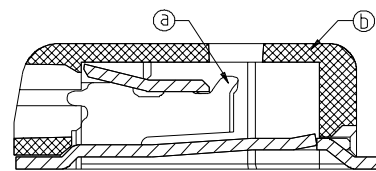
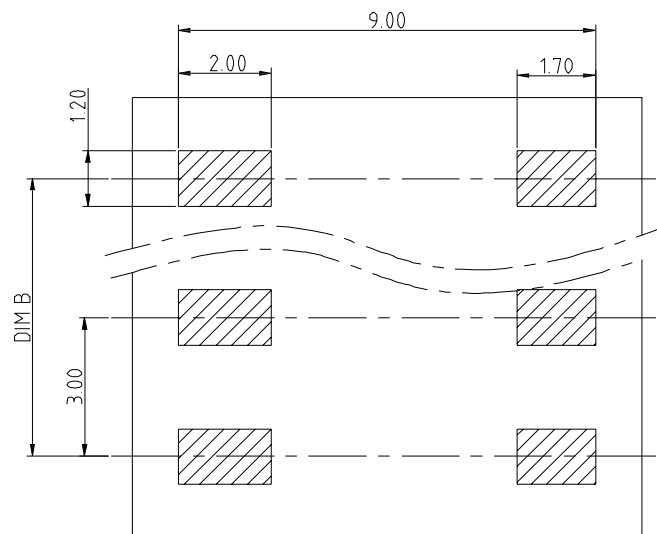
- Item ①: Spring: PHBZ, Matte Tin plated over Nickel plated
- ② ● Item ②: Body: LCP (UL94V-0) Natural color
- Electrical UL(1977)
- Voltage rating: 150V
- Current rating: 3A
- Wire range:
- Solid wire(AWG): 22-26
- Wire strip length: 5-6mm
- Withstanding Voltage: 1.3KV
- Operating temperature: -40°C to +130°C
- Reflow Soldering temperature: 260°C/10 Sec max
- Safety Approval: 
- Packing: tape reel

B

B

C

C



SECTION P-P

N=Number of poles

Dim.L	$(N-1) \times 3.0 + 3.0$
Dim.B	$(N-1) \times 3.0$

POLES	DIM B	DIM L
1P	/	+/-0.10
2P	+/-0.10	+/-0.15
3P	+/-0.20	+/-0.20

TOLERANCE

P.C.B. LAYOUT

RoHS compliant

Unit: mm



File No.: E198287

Scale	Free					Date	Name	Customer-No.
TOLERANCE						Drawn	13.12.2016	Winnie
X.	±0.50					Approved	11.04.2018	Winnie
X.X	±0.30							ASSMANN WSW-No.
X.XX	±0.10	②	Add the color of insulator	11.04.2018	Winnie			<b>AWBR-300-xx-SR2</b>
DIM	TOL	①	Add the UL File No.	25.07.2017	Winnie			Drawing-No.
X.°	±1°	③	Drawn	13.12.2016	Winnie			<b>ASS 7431 CO</b>
Angle	TOL	Id.	Modification	Date	Name	Replace		Sheet

G

G

H

H

1

2

3

4

5

6

7