



Chipsmall Limited consists of a professional team with an average of over 10 year of expertise in the distribution of electronic components. Based in Hongkong, we have already established firm and mutual-benefit business relationships with customers from,Europe,America and south Asia,supplying obsolete and hard-to-find components to meet their specific needs.

With the principle of “Quality Parts,Customers Priority,Honest Operation,and Considerate Service”,our business mainly focus on the distribution of electronic components. Line cards we deal with include Microchip,ALPS,ROHM,Xilinx,Pulse,ON,Everlight and Freescale. Main products comprise IC,Modules,Potentiometer,IC Socket,Relay,Connector.Our parts cover such applications as commercial,industrial, and automotives areas.

We are looking forward to setting up business relationship with you and hope to provide you with the best service and solution. Let us make a better world for our industry!



## Contact us

Tel: +86-755-8981 8866 Fax: +86-755-8427 6832

Email & Skype: info@chipsmall.com Web: www.chipsmall.com

Address: A1208, Overseas Decoration Building, #122 Zhenhua RD., Futian, Shenzhen, China



1

2

3

4

5

6

7

A

B

C

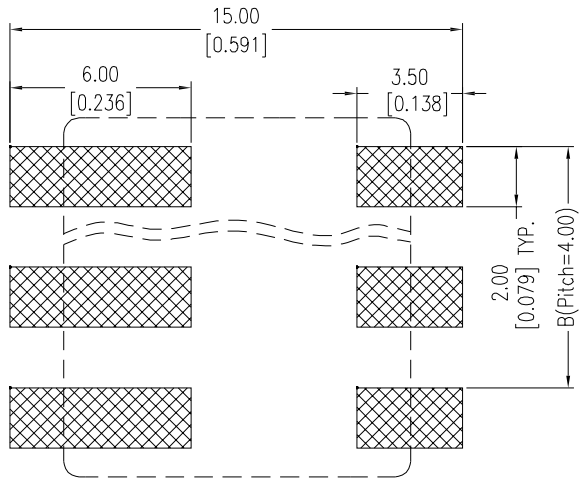
D

E

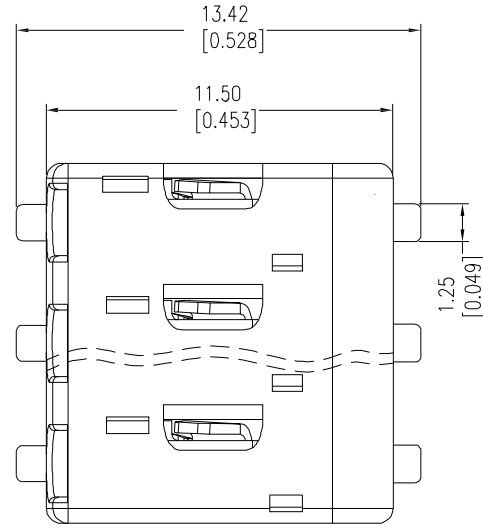
F

G

H



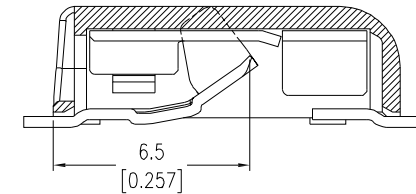
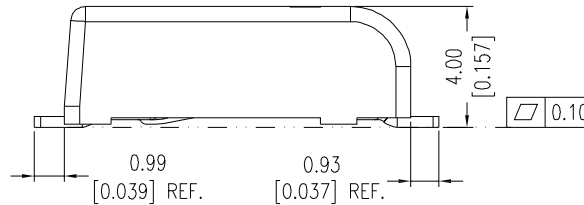
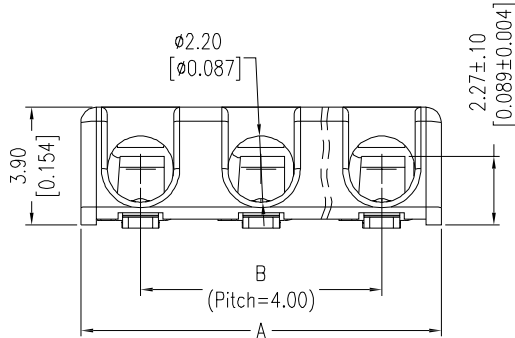
Recommended P.C.B Layout(Top Side)  
(PCB BOARD TOLERANCE±0.05)



- ① Notes:  
 Rated current: 3~9 AMP  
 Contact resistance: 20MΩ max.  
 Withstand voltage: 500V AC  
 Insulation resistance: 1000MΩ min.  
 Operation temperature: -40°C to +105°C  
 Solder Temperature: 260°C, 5s  
 - Solid Wire: AWG #20~#18  
 - Strand Wire: AWG #20~#18

- Contact material: Phosphor Bronze  
 Contact plating: 100~200u" Matte Tin plated over 50u" Nickel  
 ③ Insulator material: LCP+30%G.F UL94V-0 White Color

3	11.95	8.00
2	7.90	4.00
1	3.95	/
PIN	A	B



**RoHS compliant**  
Unit: mm



Scale	Free					Date	Name	Customer-No.
TOLERANCE					Drawn	28.01.2016	Ray	
.X	±0.40							
.XX	±0.25	③	Add the color of insulator	11.04.2018	Winnie	Approved	11.04.2018	Winnie
.XXX	±0.15	②	Add the UL File No.	27.07.2017	Winnie			
DIM	TOL	①	Update note	17.08.2016	Ray			
Angle	±1.5°	④	Drawn	28.01.2016	Ray			
			Id.	Modification	Date	Name		

Customer-No.		
ASSMANN WSW-No.		
AWBR-400-xx-SR1		
Drawing-No.		
ASS 7121 CO	rev03	
Replace	Sheet	



1

2

3

4

5

6

7

SV4C