



Chipsmall Limited consists of a professional team with an average of over 10 year of expertise in the distribution of electronic components. Based in Hongkong, we have already established firm and mutual-benefit business relationships with customers from,Europe,America and south Asia,supplying obsolete and hard-to-find components to meet their specific needs.

With the principle of “Quality Parts,Customers Priority,Honest Operation,and Considerate Service”,our business mainly focus on the distribution of electronic components. Line cards we deal with include Microchip,ALPS,ROHM,Xilinx,Pulse,ON,Everlight and Freescale. Main products comprise IC,Modules,Potentiometer,IC Socket,Relay,Connector.Our parts cover such applications as commercial,industrial, and automotives areas.

We are looking forward to setting up business relationship with you and hope to provide you with the best service and solution. Let us make a better world for our industry!



Contact us

Tel: +86-755-8981 8866 Fax: +86-755-8427 6832

Email & Skype: info@chipsmall.com Web: www.chipsmall.com

Address: A1208, Overseas Decoration Building, #122 Zhenhua RD., Futian, Shenzhen, China



1

2

3

4

5

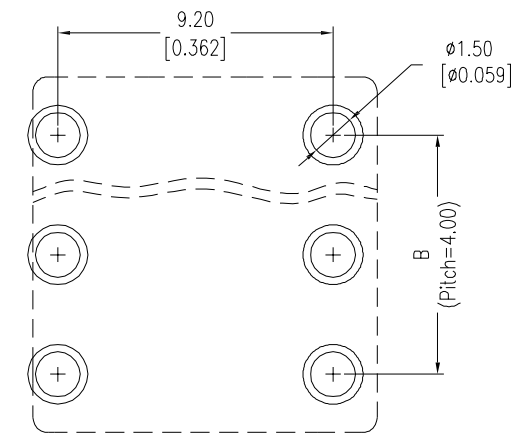
6

7

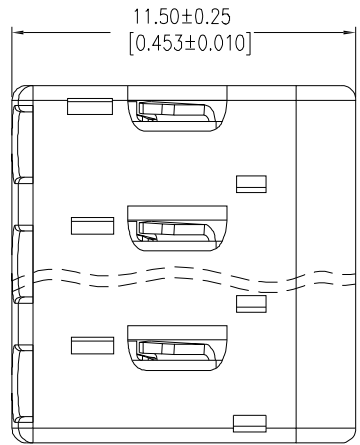
A

B

C



Recommended P.C.B Layout (Top Side)
(PCB BOARD TOLERANCE ±0.05)



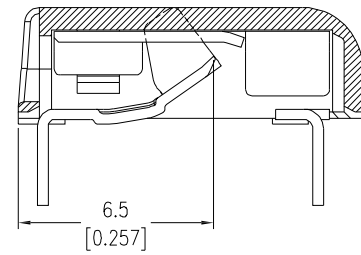
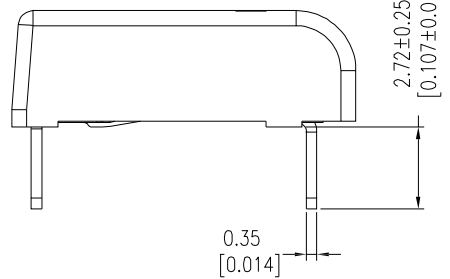
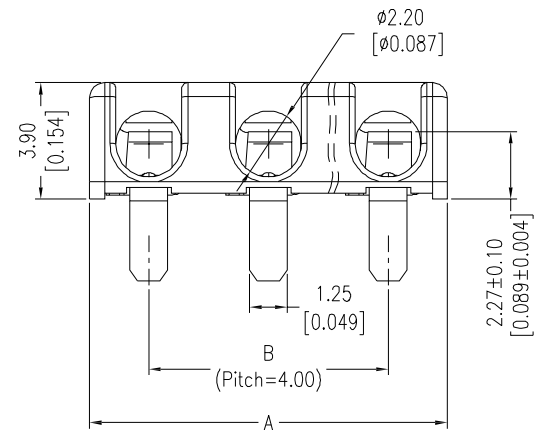
① Notes:
 Rated current: 3~9AMP
 Contact resistance: 20MΩ max.
 Withstand voltage: 500V AC
 Insulation resistance: 1000MΩ min.
 Operation temperature: -40°C to +105°C
 Solder Temperature: 260°C, 5s
 Application Wire Range:
 Solid Wire: AWG20~AWG18
 Strand Wire: AWG20~AWG18

Contact material: Phosphor Bronze (C5191)
 Contact plating: 100~200u" Sn over 50u" Ni
 Insulator material: LCP+30%GF UL 94 V-0

D

AWBR-400-xx-Rx1
 T = Tube
 R = T&R
 PIN COUNT

E



F

3	11.95	8.00
2	7.90	4.00
1	3.95	/
PIN	A	B

G

RoHS compliant
Unit: mm

Scale	Free					Date	Name	Customer-No.
TOLERANCE						Drawn	25.07.2016	Ray
.X	±0.40					Approved	27.07.2017	Winnie
.XX	±0.25							
.XXX	±0.15	②	Add the File No.	27.07.2017	Winnie			
DIM	TOL	①	Update note	25.07.2016	Ray			
Angle	±1.5°	③	Drawn	25.07.2016	Ray			
			Id.	Modification	Date	Name		

ASSMANN WSW-No.
AWBR-400-xx-Rx1

H



File No.: E198287



Drawing-No.
ASS 7333 CO rev02

Replace Sheet

1

2

3

4

5

6

7