



Chipsmall Limited consists of a professional team with an average of over 10 year of expertise in the distribution of electronic components. Based in Hongkong, we have already established firm and mutual-benefit business relationships with customers from,Europe,America and south Asia,supplying obsolete and hard-to-find components to meet their specific needs.

With the principle of “Quality Parts,Customers Priority,Honest Operation,and Considerate Service”,our business mainly focus on the distribution of electronic components. Line cards we deal with include Microchip,ALPS,ROHM,Xilinx,Pulse,ON,Everlight and Freescale. Main products comprise IC,Modules,Potentiometer,IC Socket,Relay,Connector.Our parts cover such applications as commercial,industrial, and automotives areas.

We are looking forward to setting up business relationship with you and hope to provide you with the best service and solution. Let us make a better world for our industry!



Contact us

Tel: +86-755-8981 8866 Fax: +86-755-8427 6832

Email & Skype: info@chipsmall.com Web: www.chipsmall.com

Address: A1208, Overseas Decoration Building, #122 Zhenhua RD., Futian, Shenzhen, China



Wireless Charging Coil Assembly

AWCCA 53N53



RoHS / RoHS II Compliant



53 x 53mm

Moisture Sensitivity Level (MSL) – MSL = 1

FEATURES:

- Wireless Charging Transmitter or Receiver single Coil, with (6.3 μ H & 24 μ H options).
- Outline Dimensions: 53mm x 53mm x 5.0mm.
- For Tx or Rx Applications.
- High permeability shielding to protect sensitive electronics
- Durable construction
- RoHS / RoHS II Compliant & Pb free

APPLICATIONS:

- Automotive Industry (in car charging)
- Batteries and Battery Chargers
- Consumer Electronics
- Smart Watches
- Digital Cameras and Camcorders
- Wireless Charging Stations
- Mobile Phones & Charging Accessories
- Power Supplies
- Power Tool Manufacturers

STANDARD SPECIFICATIONS

Maximum Ratings

Item	Value
Operating Temperature Range	-25°C to + 85°C RH \leq 90%.
Storage Temperature Range	-25°C to +85°C, 70% RH (Max.)

Electrical Characteristics

Part Number	Inductance	Q-Factor	Current Rating (rms)	Saturated Current (rms)	DC Resistance	SRF
AWCCA-53N53H50-C01-B	24 μ H \pm 10%	170 \pm 30%	5.7A Typ.	30A	72m Ω \pm 20%	2.8MHz
AWCCA-53N53H50-C02-B	6.3 μ H \pm 10%	66 \pm 30%	11A Typ.	40A	19m Ω \pm 20%	6.4MHz
Test Condition	100KHz / 1V	100KHz/1V	Δ T = 40 K	100KHz/1V	20 \pm 15°C	
Test Environment	Ambient Temperature: 20 \pm 15°C, RH: 65% \pm 20%.					

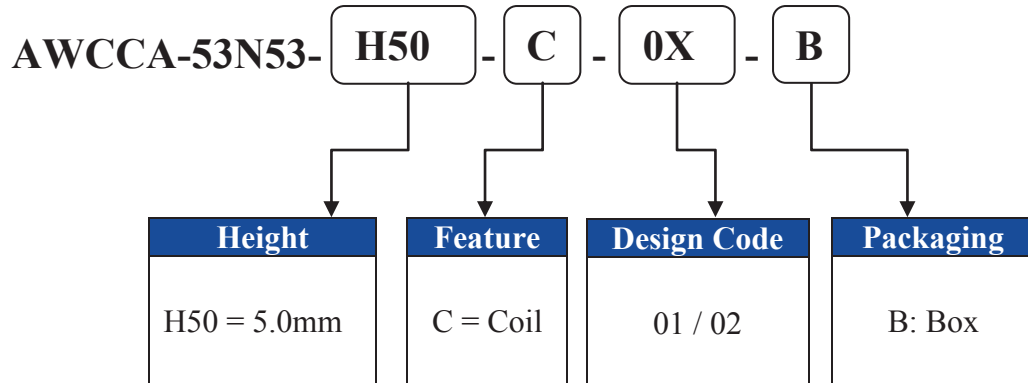
Test Conditions

A) - Ambient Temperature: 20 \pm 15°C, RH: 65% \pm 20%.

If any doubt on the results, measurements/tests should be made within the following limits: Ambient Temperature: 20 \pm 2°C, RH: 65% \pm 5%

B) - Isat: DC current at which the inductance drops approximate 5% from its value without current.

PART IDENTIFICATION:



Wireless Charging Coil Assembly

AWCCA 53N53



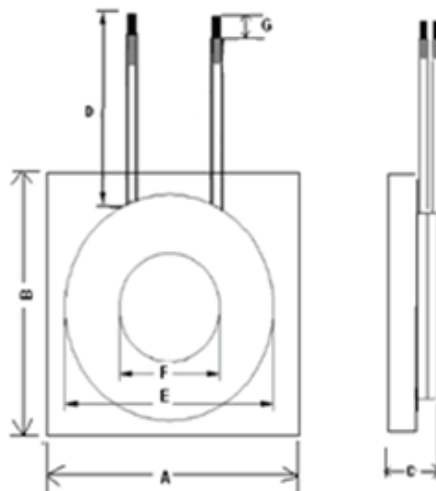
RoHS / RoHS II Compliant



53 x 53mm

OUTLINE DIMENSIONS:

Out Line Dimensions (unit mm)



Part Number	A	B	C	D	E	F	G
AWCCA-53N53H50-C0X-B	53±1	53±1	5.0±0.5	50±3	44 Max	20.5±0.5	5.0±2

Winding Specifications

Nominal Code	Number of Coils	Wire	Number of Turns	Inductance
C01	1	φ 0.08×105	20	24μH ±10%
C02	1	φ 0.08×105	10	6.3μH ±10%

Product Customization

Products can be customized according to the Wireless Charging Coil Standards or to customer requirements. Please refer to the following table for the feature ranges, and contact ABRACON or authorized distributor / agent for further details.

Inductance Range [μH]	DC Resistance Range [mΩ]	Dimension Range [mm]	Thickness range [mm]
1 ~ 100	10 ~ 1000	10 ~ 200	0.4 ~ 10

Manual Soldering: 350°C Max, 3secs

Storage condition

- Recommended storage conditions: -25°C~85°C, 70%RH (Max.)
- Service life: Within the limits of six month from being produced.
- The appearance and solder ability should be check, if product is not in expiry date.

Operation Conditions

- Use condition limit: T=-25°C ~ 85°C, RH≤ 90%.

ATTENTION: Abracon Corporation's products are COTS – Commercial-Off-The-Shelf products; suitable for Commercial, Industrial and, where designated, Automotive Applications. Abracon's products are not specifically designed for Military, Aviation, Aerospace, Life-dependant Medical applications or any application requiring high reliability where component failure could result in loss of life and/or property. For applications requiring high reliability and/or presenting an extreme operating environment, written consent and authorization from Abracon Corporation is required. Please contact Abracon Corporation for more information.

ABRACON IS
ISO9001:2008
CERTIFIED



ABRACON
CORPORATION

Visit www.abracon.com for Terms & Conditions of Sale **Revised: 12.08.13**

30332 Esperanza, Rancho Santa Margarita, California 92688

tel 949-546-8000 | fax 949-546-8001 | www.abracon.com