



Chipsmall Limited consists of a professional team with an average of over 10 year of expertise in the distribution of electronic components. Based in Hongkong, we have already established firm and mutual-benefit business relationships with customers from,Europe,America and south Asia,supplying obsolete and hard-to-find components to meet their specific needs.

With the principle of “Quality Parts,Customers Priority,Honest Operation,and Considerate Service”,our business mainly focus on the distribution of electronic components. Line cards we deal with include Microchip,ALPS,ROHM,Xilinx,Pulse,ON,Everlight and Freescale. Main products comprise IC,Modules,Potentiometer,IC Socket,Relay,Connector.Our parts cover such applications as commercial,industrial, and automotives areas.

We are looking forward to setting up business relationship with you and hope to provide you with the best service and solution. Let us make a better world for our industry!



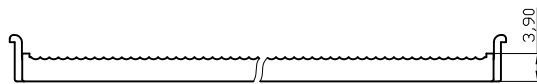
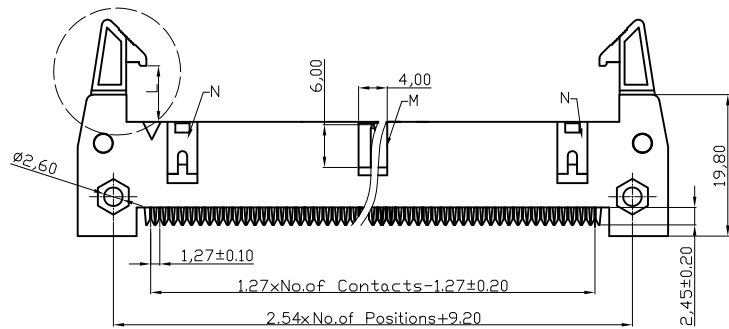
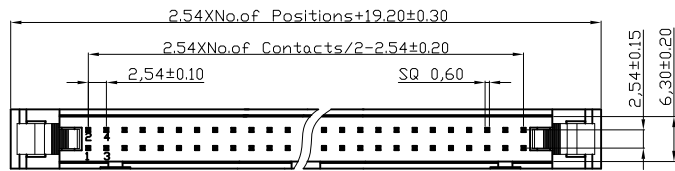
Contact us

Tel: +86-755-8981 8866 Fax: +86-755-8427 6832

Email & Skype: info@chipsmall.com Web: www.chipsmall.com

Address: A1208, Overseas Decoration Building, #122 Zhenhua RD., Futian, Shenzhen, China





NOTES:

MATERIAL

- 1.Insulator Material:PBT+30%G.F.(UL94V-0),Grey
- 2.Contact Material : Brass
- 3.Contact Plating : 1u" Au selective Over Ni

ELECTRICAL

- 1.Current Rating : 3.0 AMP
- 2.Withstand Voltage : 1000V AC/minute
- 3.Contact Resistance : 20mΩ max
- 4.Insulation Resistance: 1000MΩ min

ENVIRONMENTAL

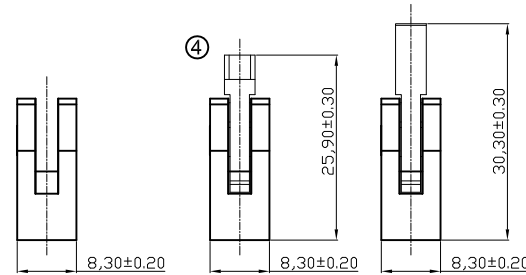
- 1.Operation Temperature: -40°C to +105°C
- 2.Packing : Tray
- 3.10P~18P with slot"M" without slot "N"
- 20P-64P with slot "M" and "N"

Ordering Information

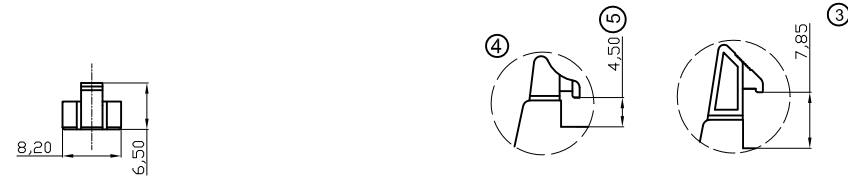
AWH xxG-02x2-IDC

No. of Contacts :
10,14,16,20,26,
30,34,40,50,60,64

Latch Type
0 -without latch
2 -with short latches
3 -with long latches



without Latch with short Latch with long Latch



Short Latch Long Latch

RoHS compliant
Unit: mm



Scale	Free	⑥	Add UL file no.	12.12.2013	Amy		Date	Name	Customer-No.	
TOLERANCE		⑤	Uppdate	29.03.2013	Winnie	Drawn	25.01.2006	Alex	ASSMANN WSW-No. AWH xxG-02x2-IDC	
X.X	±0.40	④	Correct drawing of short latch	05.05.2010	Dean	Approved	12.12.2013	Amy		
X.XX	±0.25	③	Modify dimension from 7.65 to 7.85	03.11.2009	Dean					
X.XXX	±0.15	③	Modify dimension from 7.65 to 7.85	03.11.2009	Dean				Drawing-No.	
ANGLE	±3°	②	Update	29.06.2009	Dean				ASS 2231 CO	rev06
		①	Drawn	25.01.2006	Alex				Replace	Sheet
DIM	TOL	Id.	Modification	Date	Name					

1

2

3

4

5

6

7