



Chipsmall Limited consists of a professional team with an average of over 10 year of expertise in the distribution of electronic components. Based in Hongkong, we have already established firm and mutual-benefit business relationships with customers from,Europe,America and south Asia,supplying obsolete and hard-to-find components to meet their specific needs.

With the principle of “Quality Parts,Customers Priority,Honest Operation,and Considerate Service”,our business mainly focus on the distribution of electronic components. Line cards we deal with include Microchip,ALPS,ROHM,Xilinx,Pulse,ON,Everlight and Freescale. Main products comprise IC,Modules,Potentiometer,IC Socket,Relay,Connector.Our parts cover such applications as commercial,industrial, and automotives areas.

We are looking forward to setting up business relationship with you and hope to provide you with the best service and solution. Let us make a better world for our industry!



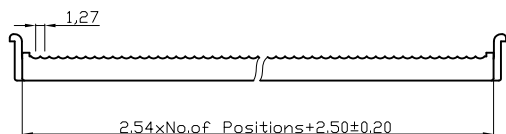
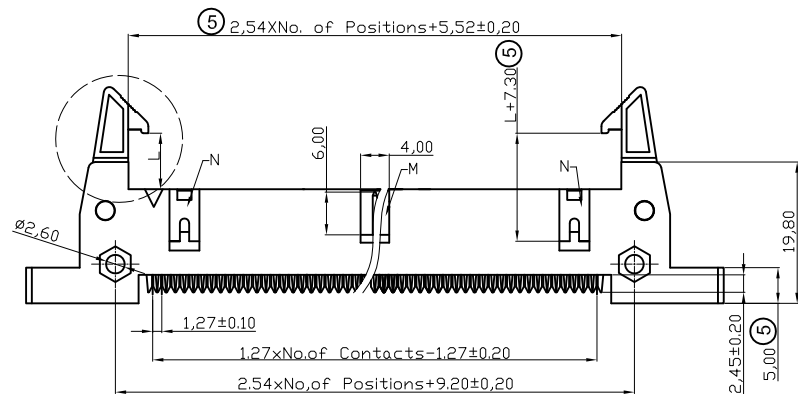
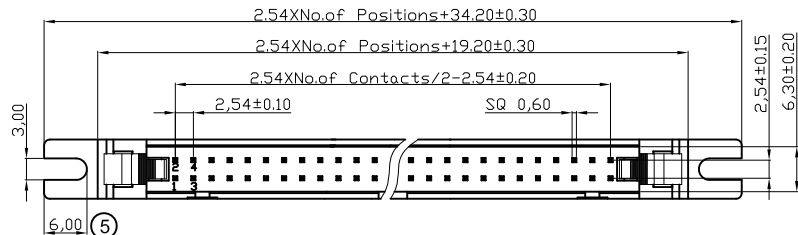
## Contact us

Tel: +86-755-8981 8866 Fax: +86-755-8427 6832

Email & Skype: info@chipsmall.com Web: www.chipsmall.com

Address: A1208, Overseas Decoration Building, #122 Zhenhua RD., Futian, Shenzhen, China





**NOTES:**

**MATERIAL**

- 1. Insulator Material: PBT+30%G.F., (UL94V-0), Grey
- 2. Contact Material : Brass
- 3. Contact Plating : 1u" Au selective Over Ni

**ELECTRICAL**

- 1. Current Rating : 3.0 AMP
- 2. Withstand Voltage : 1000V AC/minute
- 3. Contact Resistance : 20mΩ max
- 4. Insulation Resistance: 1000MΩ min

**ENVIRONMENTAL**

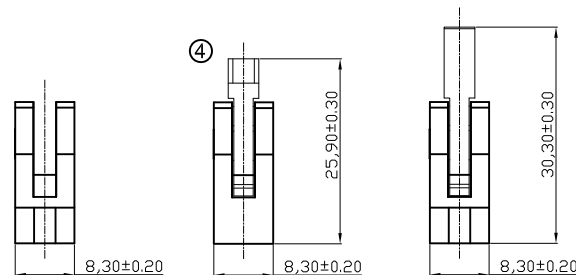
- 1. Operation Temperature: -40°C to +105°C
- 2. Packing : Tray
- 3. 10P~18P with slot "M" without slot "N"
- 20P-64P with slot "M" and "N"

**Ordering Information**

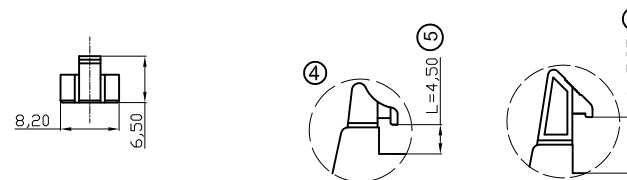
**AWH xxG-E2x2-IDC**

No. of Contacts :  
10, 14, 16, 20, 26,  
30, 34, 40, 50, 60, 64

Latch Type  
0 -without latch  
2 -with short latches  
3 -with long latches



without Latch      with short Latch      with long Latch



Short Latch      Long Latch

**RoHS compliant**  
Unit: mm



Scale	Free	⑥	Add UL file no.	12.12.2013	Amy		Date	Name	Customer-No.
TOLERANCE		⑤	Update	03.04.2013	Winnie	Drawn	29.05.2006	Hellwig	ASSMANN WSW-No. <b>AWH xxG-E2x2-IDC</b>
X.X	±0.40	④	Correct drawing of short latch	05.05.2010	Dean	Approved	12.12.2013	Amy	
X.XX	±0.25	③	Modify dimension from 7.65 to 7.85	03.11.2009	Dean				
X.XXX	±0.15	②	Increase right view Modification dimensions	16.02.2009	Dean				
ANGLE	±3°	①	Drawn	29.05.2006	Hellwig				Drawing-No.
									<b>ASS 0532 CO</b>
DIM	TOL	Id.	Modification	Date	Name				rev06
									Replace



**ASS 0532 CO**

rev06

Replace

Sheet