



Chipsmall Limited consists of a professional team with an average of over 10 year of expertise in the distribution of electronic components. Based in Hongkong, we have already established firm and mutual-benefit business relationships with customers from,Europe,America and south Asia,supplying obsolete and hard-to-find components to meet their specific needs.

With the principle of “Quality Parts,Customers Priority,Honest Operation,and Considerate Service”,our business mainly focus on the distribution of electronic components. Line cards we deal with include Microchip,ALPS,ROHM,Xilinx,Pulse,ON,Everlight and Freescale. Main products comprise IC,Modules,Potentiometer,IC Socket,Relay,Connector.Our parts cover such applications as commercial,industrial, and automotives areas.

We are looking forward to setting up business relationship with you and hope to provide you with the best service and solution. Let us make a better world for our industry!



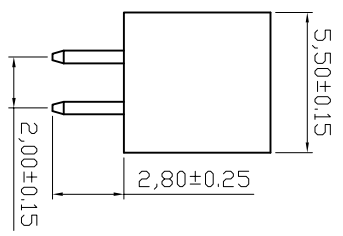
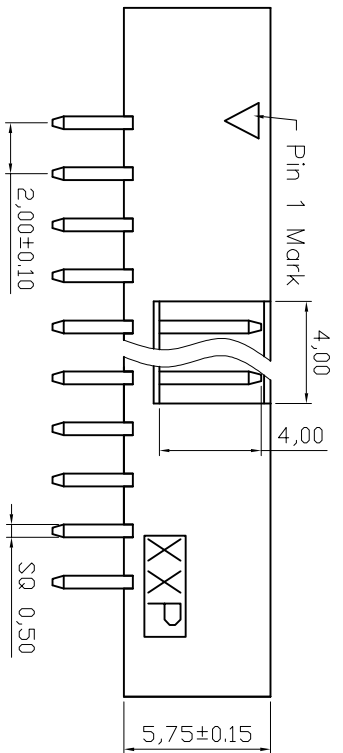
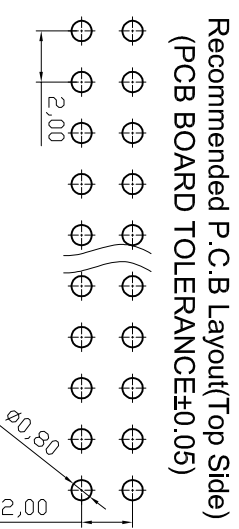
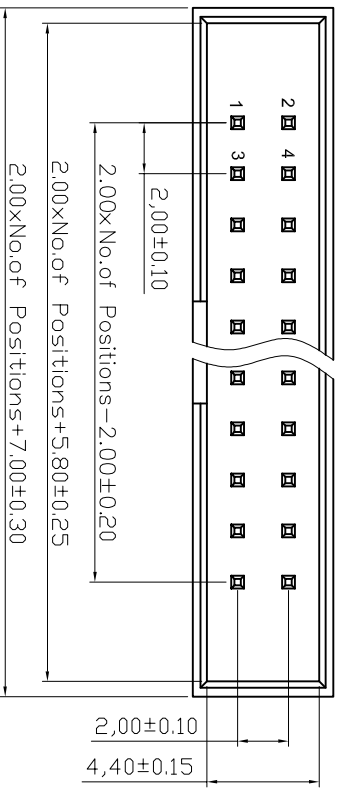
Contact us

Tel: +86-755-8981 8866 Fax: +86-755-8427 6832

Email & Skype: info@chipsmall.com Web: www.chipsmall.com

Address: A1208, Overseas Decoration Building, #122 Zhenhua RD., Futian, Shenzhen, China






NOTES:

MATERIAL

- ⑤ 1. Insulator Material: PA9T+30%GF(UL94V-0), Black
 - 2. Contact Material : Brass
 - 3. Contact Plating : Gold flash Over 50µ"Ni
- ELECTRICAL**
- 1. Current Rating : 1.5AMP
 - 2. Withstand Voltage : 500V AC/DC
 - 3. Contact Resistance : 20mΩ max
 - 4. Insulation Resistance: 1000MΩ min
- ENVIRONMENTAL**
- 1. Operation Temperature: -40°C to +105°C
 - ④ 2. Packing: Tube

Order Information :

xx: 06,08,10,14,16,20,24,26,30,34,40,44,50,60

RoHS compliant

 File No.: E198287 (3)

Scale	Free						
TOLERANCE							
X.X	±0.40	⑤	Change the material to PA9T	22.03.2016	Winnie	Drawn	25.01.2006
X.XX	±0.25	④	Update the packing	24.02.2014	Amy	Approved	22.03.2016
X.XXX	±0.15	③	Add UL-File No	12.12.2013	Winnie		
Angle°	±3°	②	Update	29.06.2009	Dean		
		①	Drawn	25.01.2006	Alex		
			Id.			Modification	



Customer-No.	
ASSMANN WSW-No.	AWHW2 XXG-0202
Drawing-No.	ASS 2317 CO
Replace	rev05
Sheet	

1	2	3	4	5	6	7	A
1	2	3	4	5	6	7	A
H	G	F	E	D	C	B	A