



Chipsmall Limited consists of a professional team with an average of over 10 year of expertise in the distribution of electronic components. Based in Hongkong, we have already established firm and mutual-benefit business relationships with customers from,Europe,America and south Asia,supplying obsolete and hard-to-find components to meet their specific needs.

With the principle of “Quality Parts,Customers Priority,Honest Operation,and Considerate Service”,our business mainly focus on the distribution of electronic components. Line cards we deal with include Microchip,ALPS,ROHM,Xilinx,Pulse,ON,Everlight and Freescale. Main products comprise IC,Modules,Potentiometer,IC Socket,Relay,Connector.Our parts cover such applications as commercial,industrial, and automotives areas.

We are looking forward to setting up business relationship with you and hope to provide you with the best service and solution. Let us make a better world for our industry!



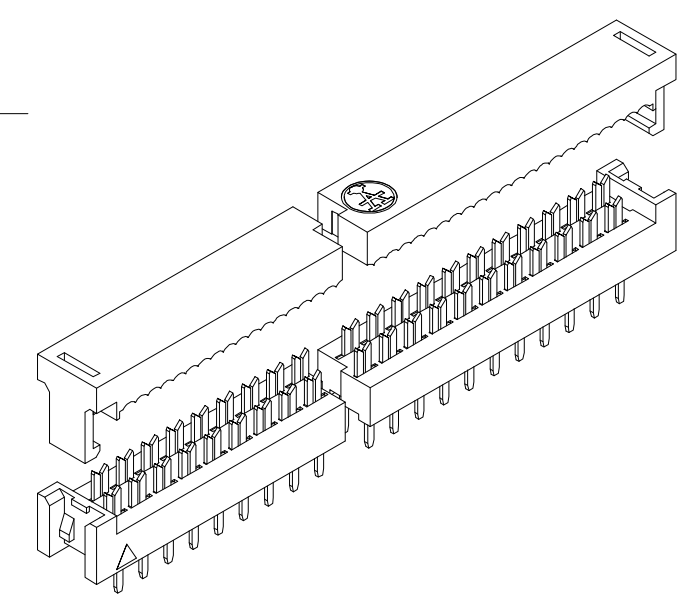
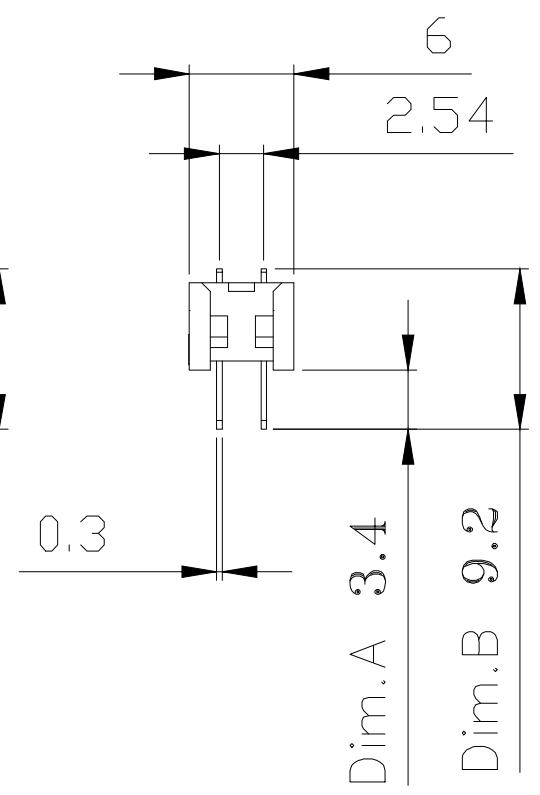
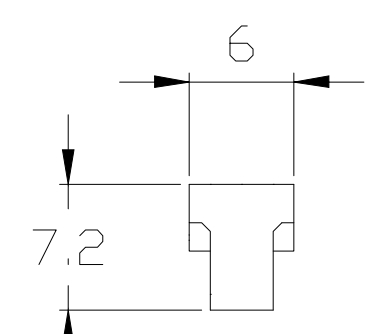
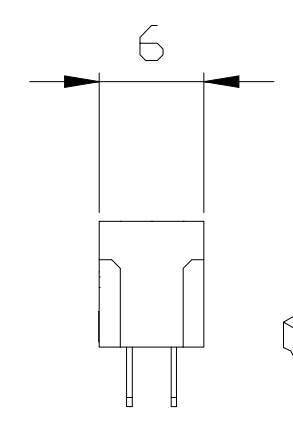
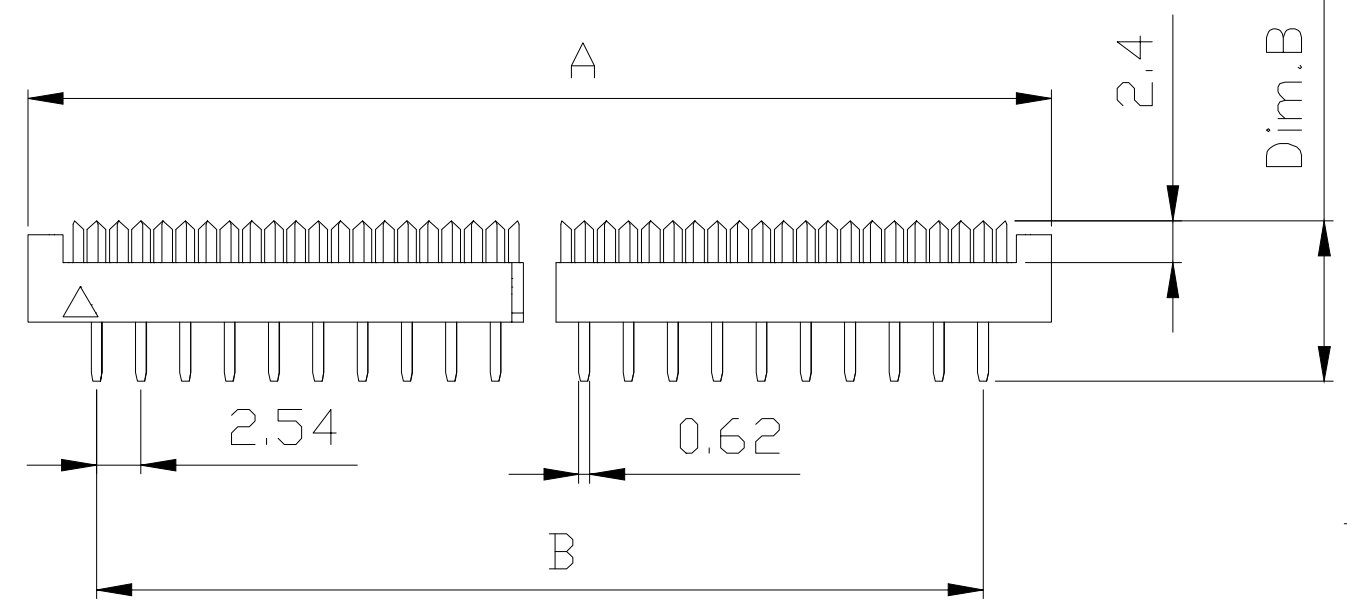
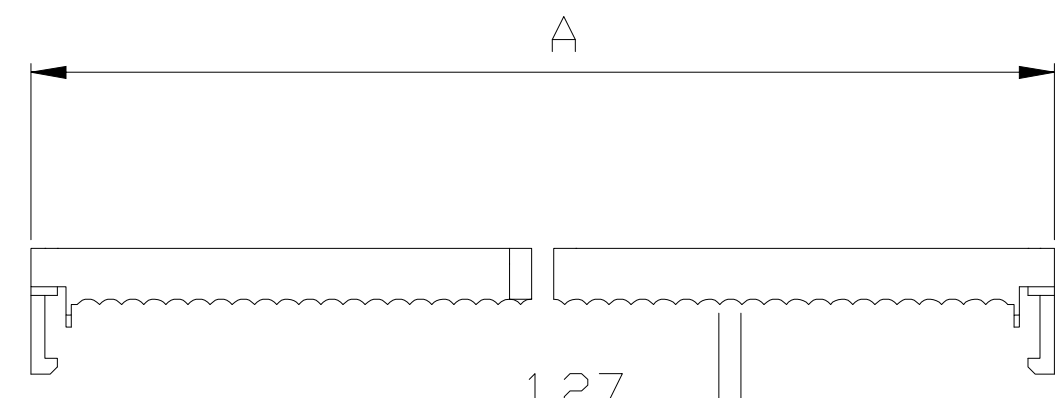
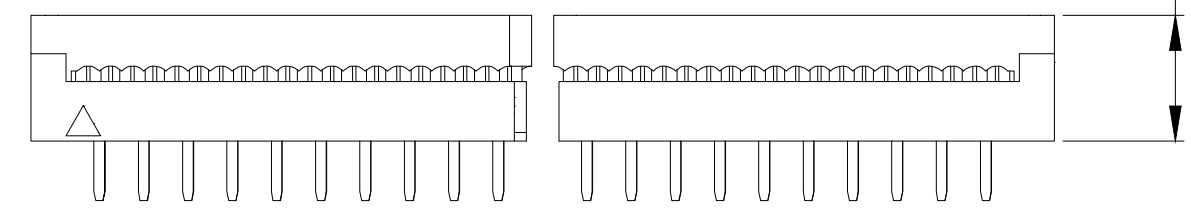
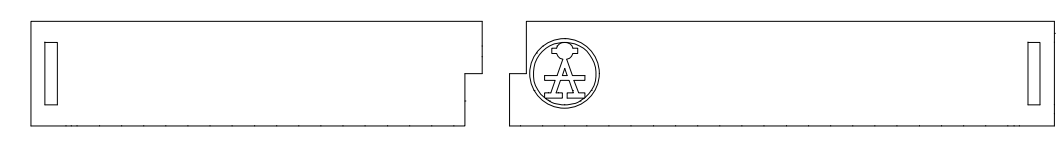
Contact us

Tel: +86-755-8981 8866 Fax: +86-755-8427 6832

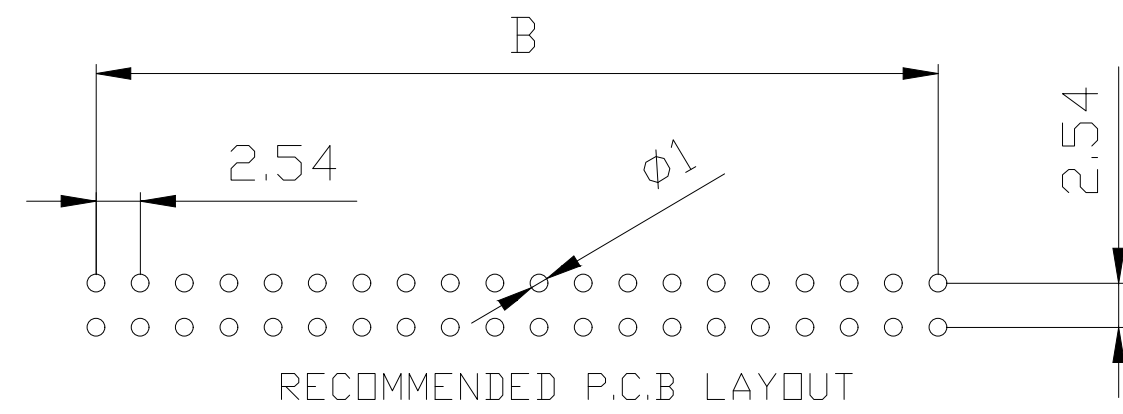
Email & Skype: info@chipsmall.com Web: www.chipsmall.com

Address: A1208, Overseas Decoration Building, #122 Zhenhua RD., Futian, Shenzhen, China





MATERIALS:
 INSULATOR: P.B.T.30%GLASS FIBER,UL94V-0
 CONTACT MATERIAL: BRASS OR PHOSPHOR BRONZE,
 UNDERPLATED: NICKEL
 CONTACT AREA: 1u"~30u" SELECTIVE GOLD
 ELECTRICAL:
 CURRENT RATING: 1AMP.
 INSULATION RESISTANCE: 1000MΩ MIN.
 DIELECTRIC WITHSTANDING: 500VAC
 OPERATING TEMPERATURE: -55°C~+105°C



RECOMMENDED P.C.B LAYOUT
 TOLERANCES: ±0.05mm

POSITION	A	B	POSITION	A	B
6P	12.94	5.08	26P	38.40	30.48
8P	15.48	07.62	28P	40.60	33.02
10P	18.10	10.16	30P	43.50	35.56
12P	20.51	12.70	34P	48.58	40.64
14P	23.05	15.24	40P	56.20	48.26
16P	25.64	17.78	50P	69.00	60.96
18P	28.15	20.32	60P	81.75	73.66
20P	30.78	22.86	64P	86.83	78.74
24P	35.86	27.94			

Scale	FREE
TOLERANCE	
X.X	±0.4
X.XX	±0.25
X.XXX	±0.15
DIM	TOL
Angle	±3°
Angle	TOL

①	Drawn	26.05.2014	Ray
Id.	Modification	Date	Name



Date	26.05.2014	Name	Ray	Customer-No.
Approved	26.05.2014	Ray	ASSMANN WSW-No.	AWLP xx/3,2-G
Drawing-No.				ASS 6447 CO
Replace				rev00
				Sheet

RoHS compliant
 Unit: mm