



Chipsmall Limited consists of a professional team with an average of over 10 year of expertise in the distribution of electronic components. Based in Hongkong, we have already established firm and mutual-benefit business relationships with customers from,Europe,America and south Asia,supplying obsolete and hard-to-find components to meet their specific needs.

With the principle of “Quality Parts,Customers Priority,Honest Operation,and Considerate Service”,our business mainly focus on the distribution of electronic components. Line cards we deal with include Microchip,ALPS,ROHM,Xilinx,Pulse,ON,Everlight and Freescale. Main products comprise IC,Modules,Potentiometer,IC Socket,Relay,Connector.Our parts cover such applications as commercial,industrial, and automotives areas.

We are looking forward to setting up business relationship with you and hope to provide you with the best service and solution. Let us make a better world for our industry!



Contact us

Tel: +86-755-8981 8866 Fax: +86-755-8427 6832

Email & Skype: info@chipsmall.com Web: www.chipsmall.com

Address: A1208, Overseas Decoration Building, #122 Zhenhua RD., Futian, Shenzhen, China



7.4 x 3.4 x 1.8mm BUILT-IN CAPACITANCE CERAMIC RESONATOR

AWSCR-MGD



7.4 x 3.4 x 1.8mm

Obsolete/End of Life Date: 10/26/2016 - Please consider AWSCR - CP as an alternative

AWSCR-MGD

Moisture Sensitivity Level (MSL) – This product is not Moisture Sensitive - MSL = 1

RoHS/RoHS II Compliant

Pb in ceramic, exemption (7c-I)

FEATURES:

- Low resonant impedance
- Built-in load capacitors
- Suitable for RoHS compliant reflow
- Low cost solution for cost sensitive applications

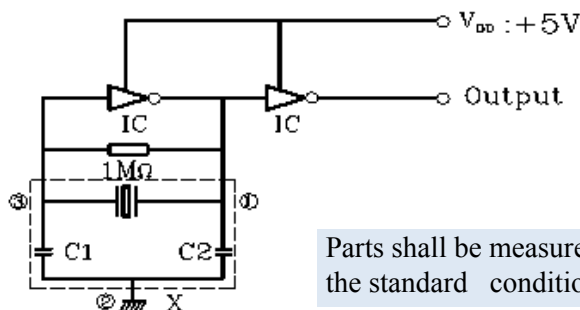
APPLICATIONS:

- Remote controls, Microprocessor clocks, DVD & CD-ROMs, Electric appliances
- Consumer electronics

STANDARD SPECIFICATIONS:

Parameters	Minimum	Typical	Maximum	Units	Notes
Frequency Range	1.84		8	MHz	
Resonant Impedance (Ro)			100	Ω	1.84 MHz - 2.39 MHz
			100		2.40 MHz - 2.99 MHz
			50		3.00 MHz - 3.49 MHz
			30		3.50 MHz - 8.00 MHz
Standard Built-in Capacitance (C1=C2)	33 - 20%	33	33 + 20%	pF	1.84 MHz - 2.39 MHz
					2.40 MHz - 2.99 MHz
	22 - 20%	22	22 + 20%		3.00 MHz - 3.49 MHz
					3.50 MHz - 8.00 MHz
Frequency Tolerance	-0.5		0.5	%	
Frequency Stability	-0.3		0.3	%	-25°C to +85°C
Withstanding Voltage		50		V	DC , 1 min
Rating Voltage	(1) D.C. Voltage		6	V	
	(2) A.C. Voltage		15	Vp-p.	
Insulation Resistance	100			MΩ	10V, 1min
Operation Temperature	-25		85	°C	
Storage Temperature	-55		85	°C	
Aging Rate (Fosc) (10 years)	-0.3		0.3	%	

TEST CIRCUIT:



X: Ceramic Resonator

1. Input
2. Ground
3. Output

Parts shall be measured under a condition (Temp.: 20±15°C, Humidity: 65±20% R.H.) unless the standard condition (Temp: 25±3°C, Humidity: 65±10% R.H.) is regulated to measure

OPTIONS AND PART IDENTIFICATION:

(Left blank if standard)

AWSCR – X.XXMGD - C□□ - □

Frequency
Frequency in MHz

Load Capacitance
Contact ABRACON
for Built-in
Capacitance options

Packaging
T: 1000pcs/Reel
T4: 4000pcs/Reel

7.4 x 3.4 x 1.8mm BUILT-IN CAPACITANCE CERAMIC RESONATOR

AWSCR-MGD

Obselete/End of Life Date: 10/26/2016 - Please consider AWSCR-CP as an alternative

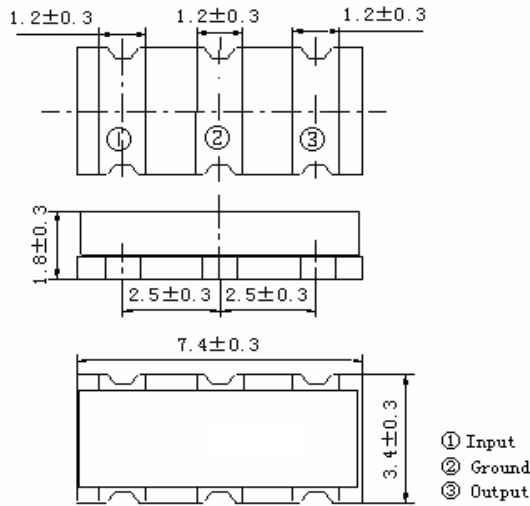
AWSCR-MGD

RoHS/RoHS II Compliant
Pb in ceramic, exemption (7c-I)

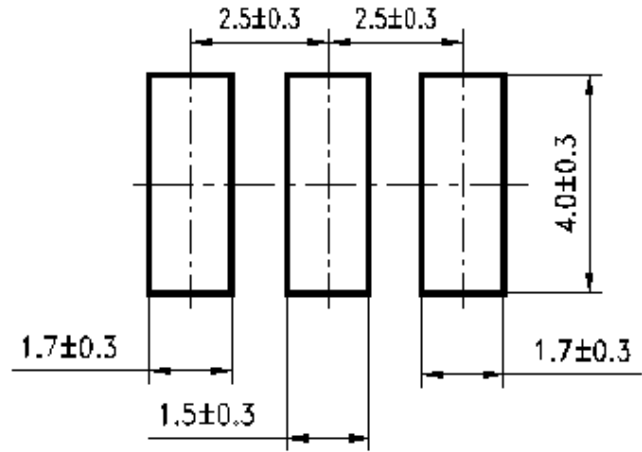


7.4 x 3.4 x 1.8mm

OUTLINE DRAWING:



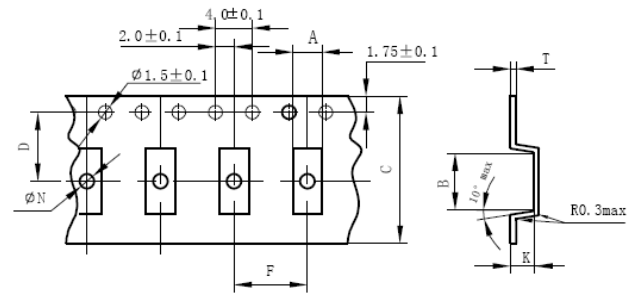
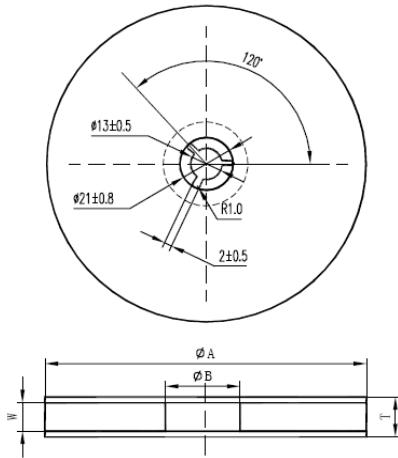
Recommended Land Pattern



Dimension: mm

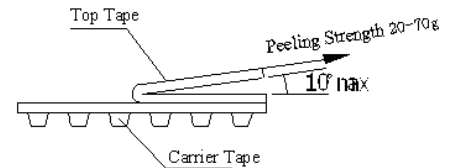
TAPE & REEL:

T: 1000pcs/reel
T4: 4000pcs/reel



A	B	C	D	F	φN	K	T	对应产品
3.8±0.2	7.8±0.2	16.0±0.2	7.5±0.1	8.0±0.1	1.55±0.05	2.1±0.1	0.3±0.05	CC

Reel Quantity	ΦA	ΦB	W	T	Pieces per reel	Carrier tape size
1000 (T)	179±2	60 typ.	16.4 min	22.4 max	1000 typ.	16
4000 (T4)	330±3	80 min	16.4 min	22.4 max	4000 typ.	16



Dimension: mm

Note: upon opening the original packaging, it is recommended that the product be used within 1 year. If the product will not be used within 1 year, it is recommended that the product be re-sealed in airtight packaging according to MSL 1 requirements to maintain solderability.

7.4 x 3.4 x 1.8mm BUILT-IN CAPACITANCE CERAMIC RESONATOR

Obselete/End of Life Date: 10/26/2016 - Please consider AWSCR-CP as an alternative

AWSCR-MGD

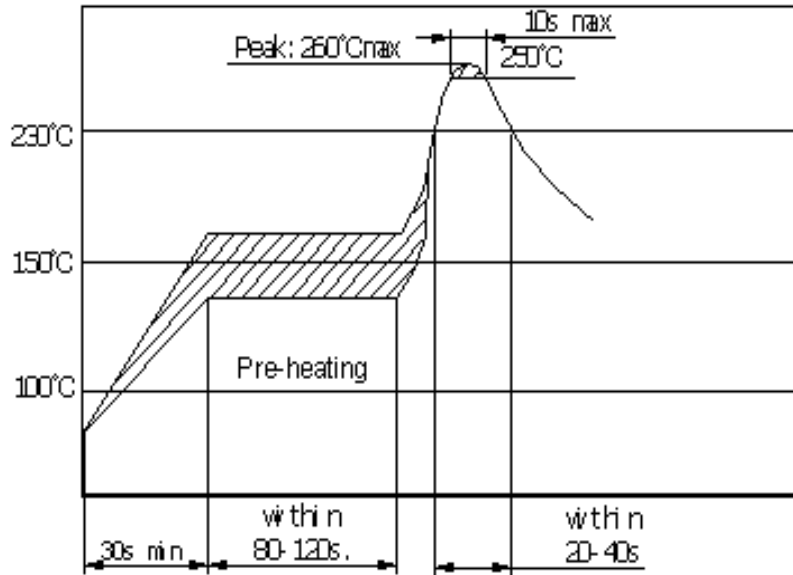


7.4 x 3.4 x 1.8mm

AWSCR-MGD

RoHS/RoHS II Compliant
Pb in ceramic, exemption (7c-I)

REFLOW PROFILE:



Dimension: mm

CAUTION:

- Do not apply excess mechanical stress to the component body or terminations. Do not attempt to re-form or bend the components as this will cause damage to the component.
- This component is not hermetically sealed. Do not clean or wash the component.
- Reflow soldering: Do not use strong acidity flux, such as flux with chlorine content of greater than 0.2wt% during reflow Soldering.
- Do not expose the component to open flame.
- This specification applies to the functionality of the component as a single unit. Customers are advised to insure that the component is thoroughly evaluated in the particular application.
- Storage conditions: If the product is to be stored for a period greater than six months after the delivery date, it is recommended that customers confirm the solderability and characteristics for the product prior to use.
- This product is not recommended for use in the following applications: Automotive, Medical, Military, Safety, or any other high-reliability, life-dependant application. Contact Abracon Corporation prior to using this product when in doubt.

ATTENTION: Abracon Corporation's products are COTS – Commercial-Off-The-Shelf products; suitable for Commercial, Industrial and, where designated, Automotive Applications. Abracon's products are not specifically designed for Military, Aviation, Aerospace, Life-dependant Medical applications or any application requiring high reliability where component failure could result in loss of life and/or property. For applications requiring high reliability and/or presenting an extreme operating environment, written consent and authorization from Abracon Corporation is required. Please contact Abracon Corporation for more information.