



Chipsmall Limited consists of a professional team with an average of over 10 year of expertise in the distribution of electronic components. Based in Hongkong, we have already established firm and mutual-benefit business relationships with customers from,Europe,America and south Asia,supplying obsolete and hard-to-find components to meet their specific needs.

With the principle of “Quality Parts,Customers Priority,Honest Operation,and Considerate Service”,our business mainly focus on the distribution of electronic components. Line cards we deal with include Microchip,ALPS,ROHM,Xilinx,Pulse,ON,Everlight and Freescale. Main products comprise IC,Modules,Potentiometer,IC Socket,Relay,Connector.Our parts cover such applications as commercial,industrial, and automotives areas.

We are looking forward to setting up business relationship with you and hope to provide you with the best service and solution. Let us make a better world for our industry!



Contact us

Tel: +86-755-8981 8866 Fax: +86-755-8427 6832

Email & Skype: info@chipsmall.com Web: www.chipsmall.com

Address: A1208, Overseas Decoration Building, #122 Zhenhua RD., Futian, Shenzhen, China



2.5 x 2.0mm INDUSTRIAL GRADE CERAMIC RESONATOR



2.5 x 2.0 x 1.0 mm

AWSZT-CW

RoHS/RoHS II compliant
Pb in ceramic, exemption (7c-I)

Moisture Sensitivity Level (MSL) – This product is not Moisture Sensitive - MSL = 1

➤ **FEATURES:**

- Low resonant impedance
- Built-in load capacitors
- IR reflow capable

➤ **APPLICATIONS:**

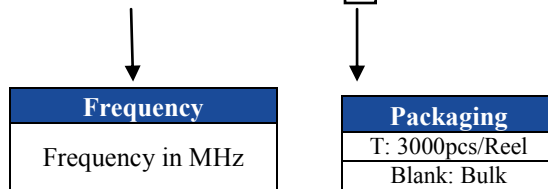
- Remote controls, Microprocessor clocks, Mobile phones, DVD & CD-Roms, Electric appliances
- Consumer electronics

➤ **ELECTRICAL CHARACTERISTICS:**

Parameters	Minimum	Typical	Maximum	Units	Notes
Frequency Range	20.00		60.00	MHz	
Resonant Impedance (Ro)			60	Ω	20.00 MHz – 25.99 MHz
			50		26.00 MHz – 35.00 MHz
			50		35.01 MHz – 60.00 MHz
Load Capacitance for Test Circuit (C1=C2)	10 – 20%	10	10 + 20%	pF	20.00 MHz – 25.99 MHz
	5 – 20%	5	5 + 20%		26.00 MHz – 35.00 MHz
	5 – 20%	5	5 + 20%		35.01 MHz – 60.00 MHz
Frequency Tolerance @25 °C	-0.5		0.5	%	
Frequency Stability @ -25°C to +85°C	-0.2		0.2	%	
Withstanding Voltage		50		V	DC , 1 min
Rating Voltage	(1) D.C. Voltage		6	V	
	(2) A.C. Voltage		15	Vp-p.	
Insulation Resistance	500			MΩ	10V, 1min
Operation Temperature	-25		85	°C	
Storage Temperature	-55		85	°C	
Aging Rate (Fosc) (10 years)	-0.2		0.2	%	

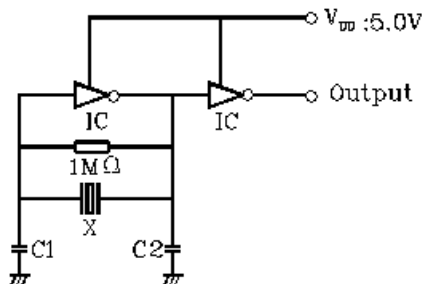
➤ **OPTIONS & PART IDENTIFICATION:**

AWSZT – XX.XX CW - □



➤ **TEST CONDITION AND TEST CIRCUIT:**

Parts shall be measured under a condition (Temp.: 20±15°C, Humidity: 65±20% R.H.) unless the standard condition (Temp: 25±3°C, Humidity: 65±10% R.H.) is regulated to measure



X: Ceramic Resonator
 C1=C2: 10pF ±20% (20.00MHz~25.99MHz)
 5pF ±20% (26.00MHz~35.00MHz)
 5pF ±20% (35.01MHz~60.00MHz)

2.5 x 2.0mm INDUSTRIAL GRADE CERAMIC RESONATOR

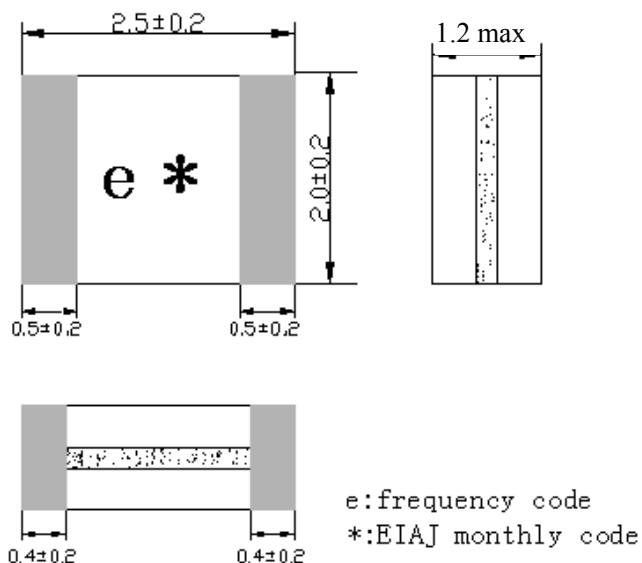


2.5 x 2.0 x 1.0 mm

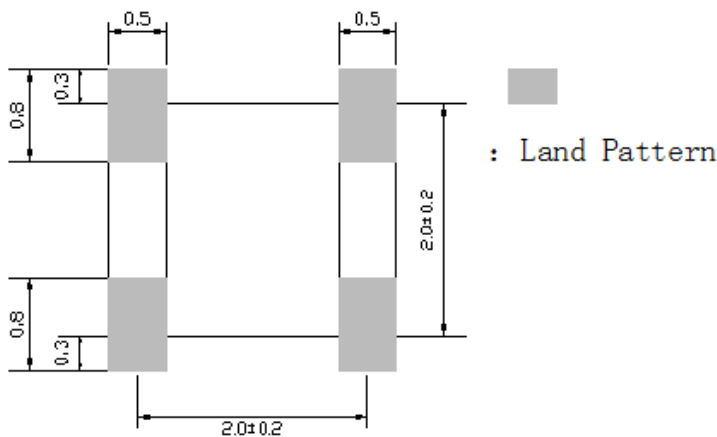
AWSZT-CW

RoHS/RoHS II compliant
Pb in ceramic, exemption (7c-I)

OUTLINE DRAWING:

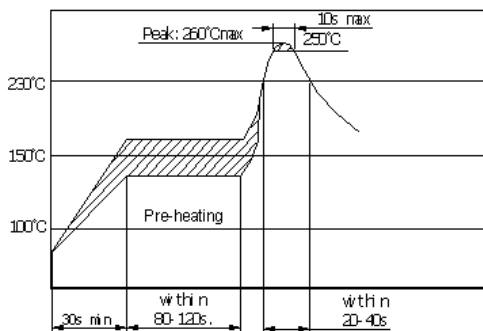


Recommended Land Pattern



Dimension: mm

REFLOW PROFILE:



2.5 x 2.0mm INDUSTRIAL GRADE CERAMIC RESONATOR



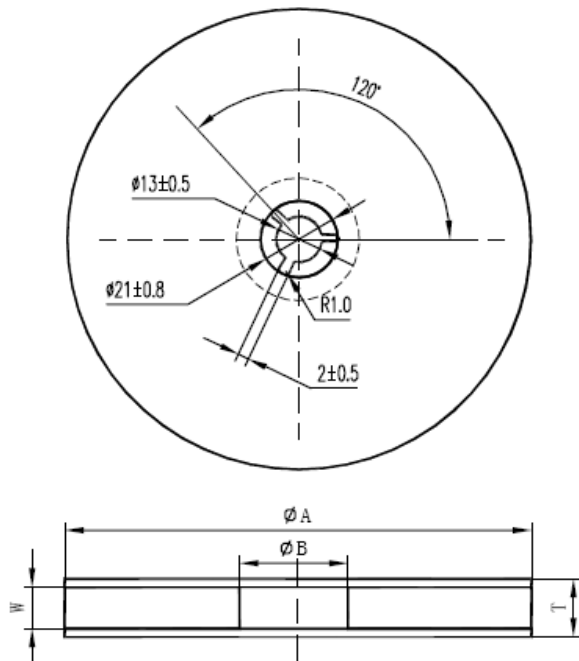
2.5 x 2.0 x 1.0 mm

AWSZT-CW

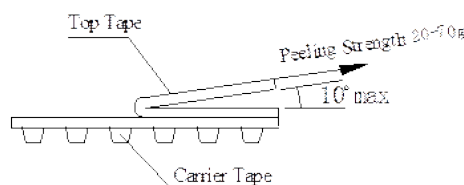
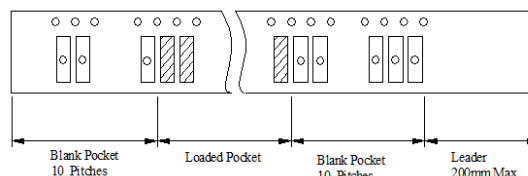
RoHS/RoHS II compliant
Pb in ceramic, exemption (7c-I)

TAPE & REEL:

T: tape and reel (3,000pcs/reel)



ΦA	ΦB	W	T	Carrier tape size
180±3	60 min.	8.4 min	12.4 max	8



Note: upon opening the original packaging, it is recommended that the product be used within 1 year. If the product will not be used within 1 year, it is recommended that the product be re-sealed in airtight packaging according to MSL 1 requirements to maintain solderability.

Dimension: mm

CAUTION:

- (1) Do not apply excess mechanical stress to the component body or terminations. Do not attempt to re-form or bend the components as this will cause damage to the component.
- (2) This component is not hermetically sealed. Do not clean or wash the component.
- (3) Reflow Soldering: Do not use strong acidity flux, such as flux with chlorine content of greater than 0.2wt% during Reflow Soldering.
- (4) Do not expose the component to open flame.
- (5) This specification applies to the functionality of the component as a single unit.
- (6) Storage Conditions: If the product is to be stored for a period greater than Six Months after the Delivery Date, it is recommended that customers confirm the solderability and characteristics for the product prior to use.
- (7) This product is not recommended for use in the following applications: Automotive, Medical, Military, Safety, or any other high-reliability, life dependant applications. Contact Abracon Corporation prior to using this product when in doubt.