



Chipsmall Limited consists of a professional team with an average of over 10 year of expertise in the distribution of electronic components. Based in Hongkong, we have already established firm and mutual-benefit business relationships with customers from,Europe,America and south Asia,supplying obsolete and hard-to-find components to meet their specific needs.

With the principle of “Quality Parts,Customers Priority,Honest Operation,and Considerate Service”,our business mainly focus on the distribution of electronic components. Line cards we deal with include Microchip,ALPS,ROHM,Xilinx,Pulse,ON,Everlight and Freescale. Main products comprise IC,Modules,Potentiometer,IC Socket,Relay,Connector.Our parts cover such applications as commercial,industrial, and automotives areas.

We are looking forward to setting up business relationship with you and hope to provide you with the best service and solution. Let us make a better world for our industry!



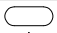

Contact us

Tel: +86-755-8981 8866 Fax: +86-755-8427 6832

Email & Skype: info@chipsmall.com Web: www.chipsmall.com

Address: A1208, Overseas Decoration Building, #122 Zhenhua RD., Futian, Shenzhen, China



LEGEND
 = CRITICAL INSPECTION DIMENSIONS.
 = KEY PRODUCT CHARACTERISTICS

REVISION HISTORY						
REV	ZONE	DESCRIPTION	BY	APPR	DATE	ECN
1		ISSUE FOR PRODUCTION	T.N	P.M	10/10/16	9381
2		CHANGE TEXT ORIENTATION, OMIT LEADING ZEROS	T.N	P.M	11/10/16	9383



PART NUMBER BREAKDOWN

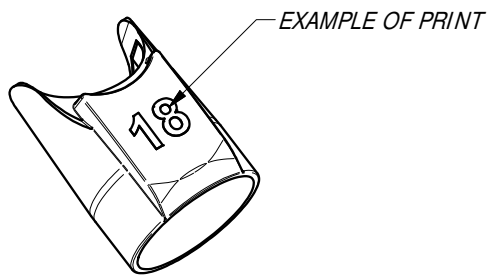
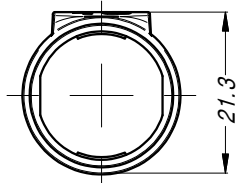
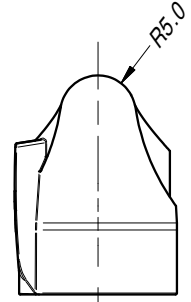
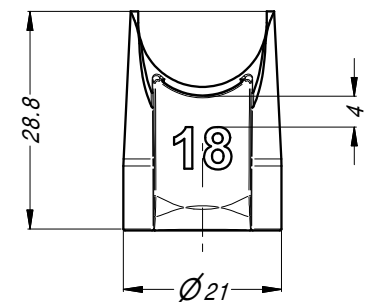
AX - MARK X - XXX

PART DESIGNATION

PRINT NUMBER:
 FROM 1 TO 48 (OMIT LEADING ZEROS)
 BLANK: NO PRINTING

COLOR CODE

- 0: BLACK
- 1: BROWN
- 2: RED
- 3: ORANGE
- 4: YELLOW
- 5: GREEN
- 6: BLUE
- 7: VIOLET
- 8: GREY
- 9: WHITE



- NOTES:**
- SLEEVE P/No. 52520024-53x TO BE USED FOR ID PRINTING TO PRODUCE P/No. AX-MARKX-XXX. REFER TO DWG 52520024-530
 - PRINT COLOR TO BE BLACK FOR WHITE SLEEVE AND WHITE FOR ALL OF THE REST. TEXT FONT TO BE ARIAL BOLD 5.5mm HIGH.
 - NUMBER 6 AND 9 TO BE UNDERLINED.

UNLESS OTHERWISE SPECIFIED TOLERANCE TO BE		THIS DOCUMENT IS THE PROPERTY OF AMPHENOL AUSTRALIA PTY. LTD. NO PART THEREOF MAY BE REPRODUCED AND USED WITHOUT THE PRIOR WRITTEN CONSENT OF THE OWNER.				Amphenol Amphenol Australia Pty.Ltd, 22 Industry Blvd Carrum Downs, VIC 3201	
LINEAR	ANGULAR	MATERIAL:	DRN: T.N	DATE: 14/07/16	TITLE: ID MARKED SLEEVE AX SERIES	PART No: AX-MARKX-XXX	REV: 2
X ± 0.5	X' ± 1		CKD: P.M	DATE: 14/07/16		DRAWING No. 52520027-000-2	SHEET 1/2
X.X ± 0.1	X.X' ± 30'	FINISH:	APP'D: P.M	DATE: 14/07/16			
X.XX ± 0.05	X.XX' ± 15'						
BREAK ALL SHARP EDGES AND REMOVE ALL BURRS							
DO NOT SCALE							
DIMENSIONS IN MILLIMETRES							
		THIRD ANGLE PROJECTION		SCALE: 1:1	SIZE: A4		