



Chipsmall Limited consists of a professional team with an average of over 10 year of expertise in the distribution of electronic components. Based in Hongkong, we have already established firm and mutual-benefit business relationships with customers from,Europe,America and south Asia,supplying obsolete and hard-to-find components to meet their specific needs.

With the principle of “Quality Parts,Customers Priority,Honest Operation,and Considerate Service”,our business mainly focus on the distribution of electronic components. Line cards we deal with include Microchip,ALPS,ROHM,Xilinx,Pulse,ON,Everlight and Freescale. Main products comprise IC,Modules,Potentiometer,IC Socket,Relay,Connector.Our parts cover such applications as commercial,industrial, and automotives areas.

We are looking forward to setting up business relationship with you and hope to provide you with the best service and solution. Let us make a better world for our industry!



## Contact us

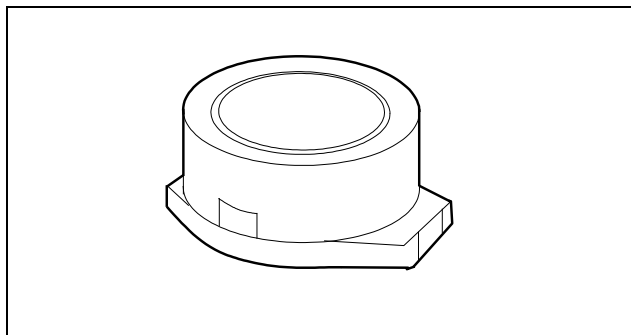
Tel: +86-755-8981 8866 Fax: +86-755-8427 6832

Email & Skype: info@chipsmall.com Web: www.chipsmall.com

Address: A1208, Overseas Decoration Building, #122 Zhenhua RD., Futian, Shenzhen, China



### OUTLINE DIMENSIONS/RECOMMENDED PCB LAYOUT (inch/mm)



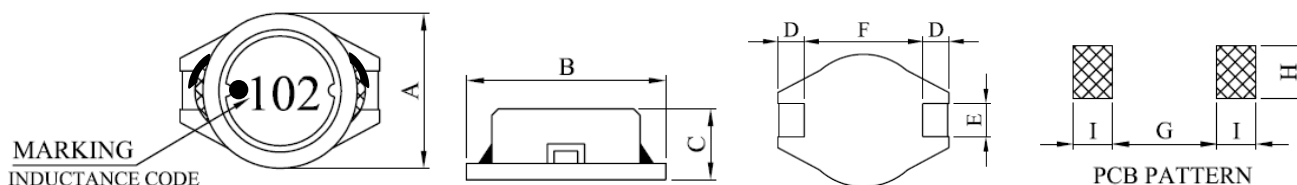
#### OUTLINE

Slim type.  
Self shielded.  
Height: 6mm Max.  
Low resistance.  
Excellent DC current characteristics.

#### APPLICATIONS

Laptop and Notebook computers and PDAs.  
DC/DC converters.  
Inductor for general purpose use.

| Part No.    | A              | B              | C             | D             | E             | F             | G             | H             | I             |
|-------------|----------------|----------------|---------------|---------------|---------------|---------------|---------------|---------------|---------------|
| AX1005-102K | 0.394<br>10.00 | 0.500<br>12.70 | 0.193<br>4.90 | 0.095<br>2.40 | 0.087<br>2.20 | 0.299<br>7.60 | 0.287<br>7.30 | 0.110<br>2.80 | 0.118<br>3.00 |



### SPECIFICATIONS

| Part Number | Inductance (uH± 10%) (Note 1) | Q REF | SRF (MHZ) TYP. | DC Resistance (Ωmax) | Rated Current(Amp) (Note 2) |
|-------------|-------------------------------|-------|----------------|----------------------|-----------------------------|
| AX1005-102K | 1000.0                        | 70    | 2.0            | 3.20                 | 0.22                        |

Note:1.Inductance measured at 1V, 100.0KHz without DC current.

2.Rated DC current is the approximate current at which inductance will be decreased by 10% from its initial (zero DC) value or the DC current at which  $\Delta T=40^{\circ}\text{C}$ , whichever is lower.

**Storage Temp:** -40 to 125°C

**Operating Temp:** -40 to 85°C

**Resistance to Solder Heat:** 260°C for 10 sec. Max

**RoHS Compliance:** As of manufacturing date February 2005, all standard products meet the requirements of 2011/65/EU, known as the RoHS initiative.

\* Upon printing, this document is considered "uncontrolled". Please contact Triad Magnetics' website for the most current version