



Chipsmall Limited consists of a professional team with an average of over 10 year of expertise in the distribution of electronic components. Based in Hongkong, we have already established firm and mutual-benefit business relationships with customers from,Europe,America and south Asia,supplying obsolete and hard-to-find components to meet their specific needs.

With the principle of “Quality Parts,Customers Priority,Honest Operation,and Considerate Service”,our business mainly focus on the distribution of electronic components. Line cards we deal with include Microchip,ALPS,ROHM,Xilinx,Pulse,ON,Everlight and Freescale. Main products comprise IC,Modules,Potentiometer,IC Socket,Relay,Connector.Our parts cover such applications as commercial,industrial, and automotives areas.

We are looking forward to setting up business relationship with you and hope to provide you with the best service and solution. Let us make a better world for our industry!



Contact us

Tel: +86-755-8981 8866 Fax: +86-755-8427 6832

Email & Skype: info@chipsmall.com Web: www.chipsmall.com

Address: A1208, Overseas Decoration Building, #122 Zhenhua RD., Futian, Shenzhen, China



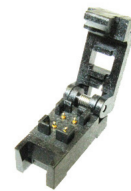
CRYSTAL/CRYSTAL OSCILLATOR TEST & BURN IN SOCKET

AXS-5032-04-02

Precision test socket for 5x3.2mm, 4 pad crystal and oscillator packages.



RoHS
Compliant



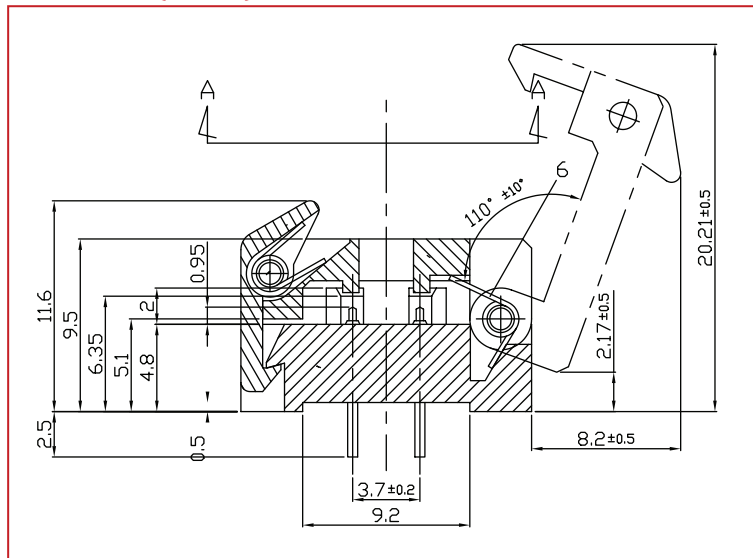
FEATURES:

- Accurate and reliable testing of frequency control devices
- Contact force ideal for avoiding measurement error
- Highest quality socket available
- Clam shell design for easy open and close
- Reliable gold plated POGO pins
- Suitable for high temperature burn-in test
- Operating Temperature: -30 ~ +150°C

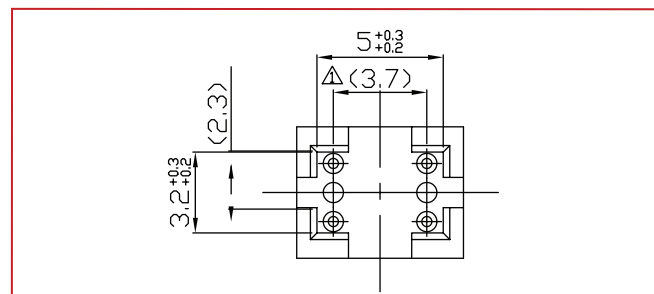
APPLICATIONS:

- Design stage component engineering evaluation
- Supplier comparison tests
- High temperature burn-in board testing
- Prototyping

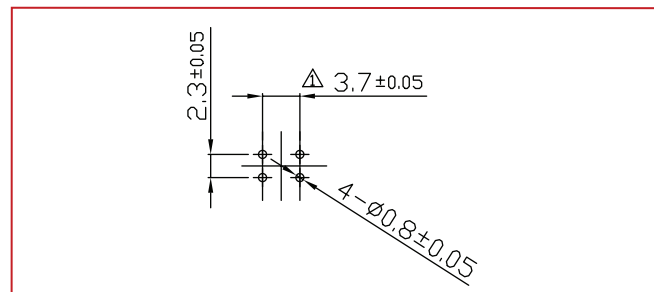
SIDE VIEW (OPEN):



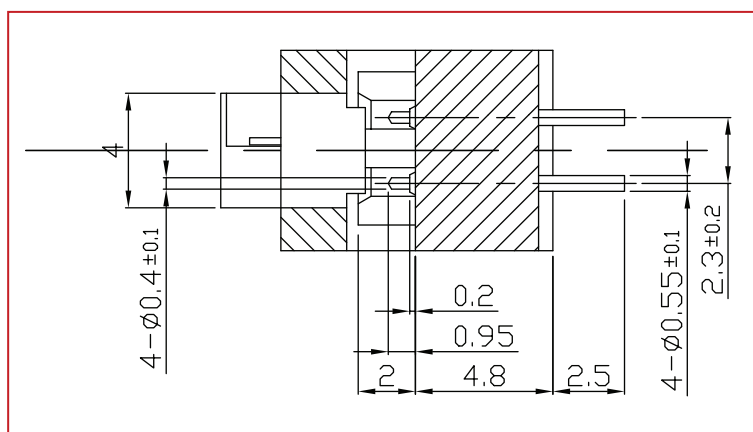
POCKET TOP VIEW:



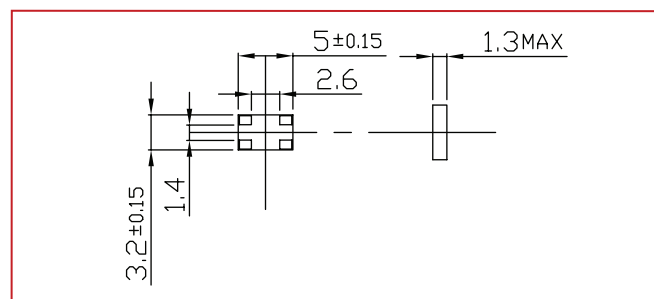
PIN DIMENSIONS:



END VIEW:



SUITABLE CRYSTAL/CRYSTAL OSCILLATOR PACKAGE DIMENSIONS:



Dimensions: mm

ORDERING INFORMATION:

When ordering, please refer to part number

AXS-5032-04-02

RECOMMENDED FOR USE WITH DEVICE PACKAGE DIMENSIONS:

5.0 x 3.2 x 1.2mm

COMPATIBLE ABRACON SURFACE MOUNT CRYSTAL/OSCILLATOR

ABM3B, ABM53C, ASF1, ASFL1, ASFL2, ASFL3, ASFLT, ASFLK, ASFLV, ASFV, ASTX/ASVTX-09, ASTX-H08/H09, AP5S, ASFLP, ASSFL,
(for a pdf download go to www.abracon.com/oscillators.htm)

* ABRACON test and burn in sockets are compatible with all industry standard frequency control packages.

ABRACON IS
ISO 9001 / QS 9000
CERTIFIED



Visit www.abracon.com for Terms & Conditions of Sale **Revised: 07.13.09**
30332 Esperanza, Rancho Santa Margarita, California 92688
tel 949-546-8000 | fax 949-546-8001 | www.abracon.com