



Chipsmall Limited consists of a professional team with an average of over 10 year of expertise in the distribution of electronic components. Based in Hongkong, we have already established firm and mutual-benefit business relationships with customers from,Europe,America and south Asia,supplying obsolete and hard-to-find components to meet their specific needs.

With the principle of "Quality Parts,Customers Priority,Honest Operation,and Considerate Service",our business mainly focus on the distribution of electronic components. Line cards we deal with include Microchip,ALPS,ROHM,Xilinx,Pulse,ON,Everlight and Freescale. Main products comprise IC,Modules,Potentiometer,IC Socket,Relay,Connector.Our parts cover such applications as commercial,industrial, and automotives areas.

We are looking forward to setting up business relationship with you and hope to provide you with the best service and solution. Let us make a better world for our industry!



Contact us

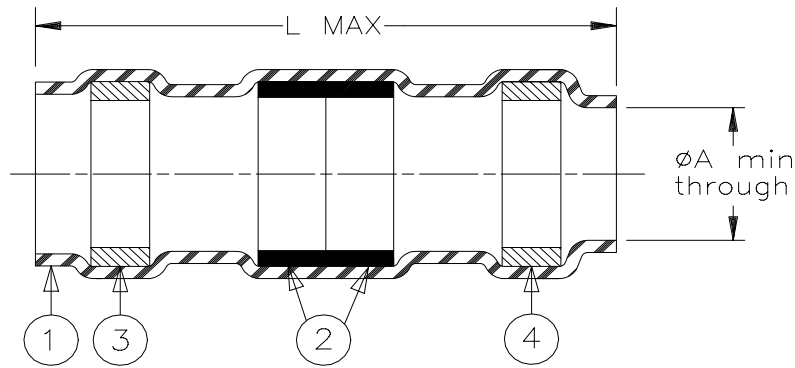
Tel: +86-755-8981 8866 Fax: +86-755-8427 6832

Email & Skype: info@chipsmall.com Web: www.chipsmall.com

Address: A1208, Overseas Decoration Building, #122 Zhenhua RD., Futian, Shenzhen, China



SPECIFICATION CONTROL DRAWING



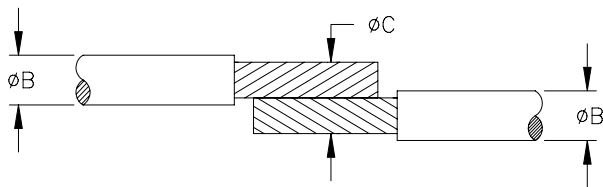
Product Revisions	Size Code	Color	Product Dimensions		Selection Guide				Wire Dimensions		
			A min	L max	Wire Gauge AWG	Section mm ²	Total CMA	Total mm ²	B min	B max	C min
Part Name					min	max	min	max	min	max	
B-008-11	C	Clear	1.7 (0.065)	26.0 (1.025)	2x26 2x24	2x0.15 2x0.4	450 1500	0.2 0.75	0.76 (0.03)	1.5 (0.06)	1.0 (0.039)
B-008-13	A	Red	2.3 (0.090)	31.0 (1.220)	2x22 2x18	2x0.4 2x1	1250 4000	0.6 2.0	1.5 (0.060)	2.3 (0.090)	1.8 (0.070)
B-008-14	A	Blue	4.3 (0.170)	36.0 (1.420)	2x18 2x12	2x1 2x2.5	3600 5000	1.8 2.5	2.0 (0.080)	4.3 (0.170)	2.3 (0.090)
B-008-15	B	Yellow	6.8 (0.268)	42.0 (1.660)	2x12 2x10	2x3 2x5	4800 9000	2.4 4.5	3.4 (0.135)	6.8 (0.270)	3.7 (0.145)

MATERIAL

- INSULATION SLEEVE: Heat-shrinkable, radiation cross-linked modified polyolefin. Transparent grey.
- SOLDER PREFORMS WITH FLUX: (Qty. 2 except for B-008-11 Qty. 1).
SOLDER: TYPE Cd18 per ANSI J-STD-006.
FLUX: TYPE ROL1 per ANSI J-STD-004.
- & 4. MELTABLE RINGS: Thermally stabilized thermoplastic. Color: See Size Code.

APPLICATION

- These controlled soldering devices are designed to splice tin plated or bare copper wires rated for at least +85°C.
- Temperature range: -55°C to +125°C.
- Splices will meet performance requirements of Raychem Specification D-5023 when installed per RPIP 850-00.



STRIP LENGTH: 12.5 (.5)

*A trademark of Raychem Corporation.

Raychem	THERMOFIT DEVICES	Raychem Corporation 300 Constitution Drive Menlo Park, CA 94025 USA	TITLE: SOLDERSLEEVE* WIRE TO WIRE SPLICE, LOW TEMPERATURE			
UNLESS OTHERWISE SPECIFIED DIMENSIONS ARE IN MILLIMETERS. INCHES DIMENSIONS ARE IN BETWEEN BRACKETS.			DOCUMENT NO.: B-008-1X			
TOLERANCES: 0.00 N/A 0.0 N/A 0 N/A	ANGLES: N/A ROUGHNESS IN MICRON	Raychem reserves the right to amend this drawing at any time. Users should evaluate the suitability of the product for their application.	DCR NUMBER: D981171		REPLACES: D961365	
DRAWN BY: R. MAPALO	DATE: 06-29-98	REV.: SEE TABLE	DOC ISSUE: 4	SCALE: NONE	SIZE: A	SHEET: 1 of 1

If this document is printed it becomes uncontrolled. Check for the latest revision.