



Chipsmall Limited consists of a professional team with an average of over 10 year of expertise in the distribution of electronic components. Based in Hongkong, we have already established firm and mutual-benefit business relationships with customers from,Europe,America and south Asia,supplying obsolete and hard-to-find components to meet their specific needs.

With the principle of “Quality Parts,Customers Priority,Honest Operation,and Considerate Service”,our business mainly focus on the distribution of electronic components. Line cards we deal with include Microchip,ALPS,ROHM,Xilinx,Pulse,ON,Everlight and Freescale. Main products comprise IC,Modules,Potentiometer,IC Socket,Relay,Connector.Our parts cover such applications as commercial,industrial, and automotives areas.

We are looking forward to setting up business relationship with you and hope to provide you with the best service and solution. Let us make a better world for our industry!



Contact us

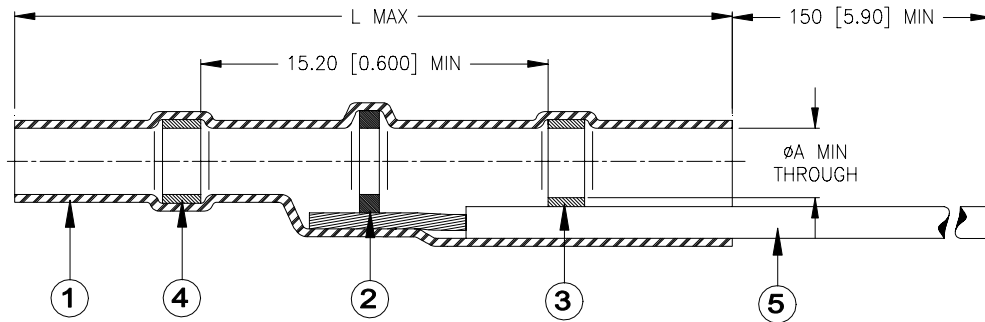
Tel: +86-755-8981 8866 Fax: +86-755-8427 6832

Email & Skype: info@chipsmall.com Web: www.chipsmall.com

Address: A1208, Overseas Decoration Building, #122 Zhenhua RD., Futian, Shenzhen, China



SPECIFICATION CONTROL DRAWING



*Product Revision		Product Dimensions		Cable Dimensions			Qty: Item 2
Product Name		ØA min	L max	ØD max	ØE min	ØF min	
B-155-3803-WX	---	2.7 [0.105]	42.0 [1.655]	2.7 [0.105]	1.8 [0.070]	1.3 [0.050]	1
B-155-3805-WX	---	4.5 [0.180]	42.0 [1.655]	4.5 [0.180]	2.3 [0.090]	1.8 [0.070]	1
B-155-3806-WX	---	6.0 [0.235]	42.0 [1.655]	6.0 [0.235]	3.3 [0.130]	2.8 [0.110]	1
B-155-3807-WX	---	7.0 [0.275]	42.0 [1.655]	7.0 [0.275]	3.7 [0.145]	3.2 [0.125]	1
B-155-3809-WX	---	8.7 [0.340]	42.0 [1.655]	8.7 [0.340]	4.2 [0.165]	3.7 [0.145]	2
B-155-3811-WX	---	10.7 [0.420]	41.5 [1.630]	10.7 [0.420]	7.1 [0.280]	6.6 [0.260]	2

*Consult Tyco Electronics for individual product revision. Contains more than 1 part name.

MATERIALS

- INSULATION SLEEVE: Heat-shrinkable, transparent clear, radiation cross-linked modified polyolefin.
- SOLDER PREFORM WITH FLUX. Qty: see table (one solder washer shown).
 SOLDER: TYPE Sn42Bi58 per ANSI / J-STD-006.
 FLUX: TYPE ROM1 per ANSI / J-STD-004.
- MELTABLE RING: Thermally stabilized thermoplastic. Color: clear.
- MELTABLE RING: Thermally stabilized thermoplastic. Color: blue.
- GROUND LEAD: W1/W2: Raychem 35C0211 tin-plated copper; W4/W5: MIL-W-81822/13 solid silver-plated copper.

Part number:

B-155-38XX-WX

→ Ground lead type:

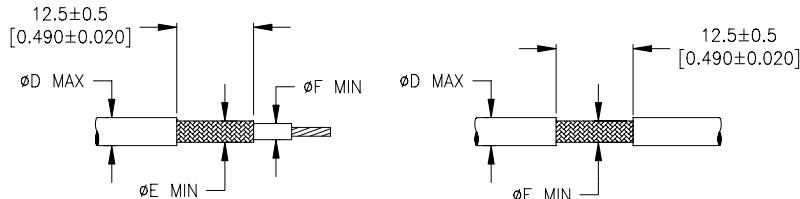
- W1: AWG22, color -white.
- W2: AWG22, color -green.
- W4: AWG26, color -white.
- W5: AWG26, color -blue.

→ Sizes: from 03 to 11.

APPLICATION

- These controlled soldering devices are designed for termination of bare or tin-plated copper shield on a cable, rated for at least +85°C and meeting the dimensional criteria listed in the table above.
- Temperature range: -55°C to +125°C.
- When installed properly, it will meet the performance requirements of Tyco Electronics / Raychem Specification RT-1404.
- For installation procedure and application equipment, consult RPIP-824-00.

For best results, prepare the cable as shown:



		Tyco Electronics Corporation 300 Constitution Drive, Menlo Park, CA. 94025, U.S.A.				TITLE: SOLDERSLEEVE ONE-STEP SHIELD TERMINATION WITH PRE-INSTALLED LEAD, LOW TEMPERATURE	
Unless otherwise specified dimensions are in millimeters. [Inches dimensions are shown in brackets]				DOCUMENT NO.: B-155-38XX-WX			
TOLERANCES: 0.00 N/A 0.0 N/A 0 N/A		ANGLES: N/A ROUGHNESS IN MICRON		Tyco Electronics reserves the right to amend this drawing at any time. Users should evaluate the suitability of the product for their application.		PROD. REV.: SEE TABLE	
PREPARED BY: mforonda		DCR NUMBER: D050254		REPLACES: ---		DATE: 12-Jul-05	
CAGE CODE: 06090		SCALE: ---		SIZE: A		SHEET: 1 of 1	

© 2005 Tyco Electronics Corporation. All rights reserved.
 If this document is printed it becomes uncontrolled. Check for the latest revision.