



Chipsmall Limited consists of a professional team with an average of over 10 year of expertise in the distribution of electronic components. Based in Hongkong, we have already established firm and mutual-benefit business relationships with customers from,Europe,America and south Asia,supplying obsolete and hard-to-find components to meet their specific needs.

With the principle of “Quality Parts,Customers Priority,Honest Operation,and Considerate Service”,our business mainly focus on the distribution of electronic components. Line cards we deal with include Microchip,ALPS,ROHM,Xilinx,Pulse,ON,Everlight and Freescale. Main products comprise IC,Modules,Potentiometer,IC Socket,Relay,Connector.Our parts cover such applications as commercial,industrial, and automotives areas.

We are looking forward to setting up business relationship with you and hope to provide you with the best service and solution. Let us make a better world for our industry!



Contact us

Tel: +86-755-8981 8866 Fax: +86-755-8427 6832

Email & Skype: info@chipsmall.com Web: www.chipsmall.com

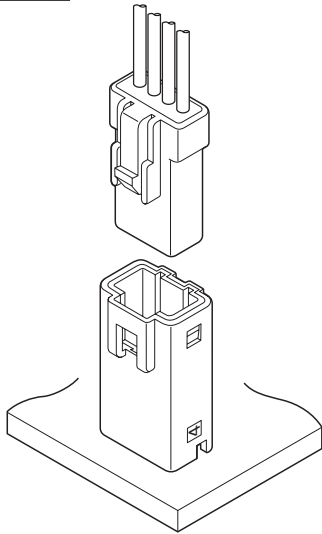
Address: A1208, Overseas Decoration Building, #122 Zhenhua RD., Futian, Shenzhen, China





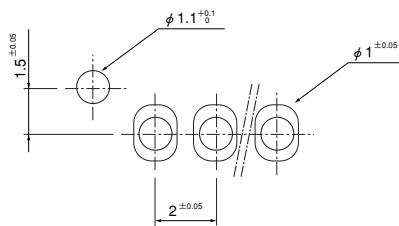
JWPF CONNECTOR

2.0mm pitch/Disconnectable Crimp style connectors



Applicable for waterproof usage. Its waterproof grade is more than 7 ingress protection of JIS C 0920 (IEC 60529 IPX7).

- **Waterproof performance**
- **Contained seal ring**
- **Solid rubber seal**
- **Double-spring construction**
- **Housing-to-terminal locks**
- **Inner housing lock**
- **Interchangeability**
- **Header for use specifically with resin coated ("potted") PC board**

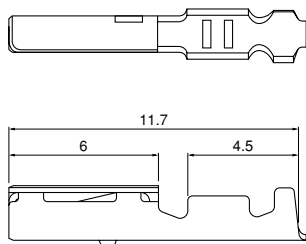


Note: 1. The above figure is the figure viewed from the connector mounting side.

2. Tolerances are non-cumulative: ±0.05mm for all centers.

3. Hole dimension differ according to the kind of PC board and piercing method. If PC boards made of hard material are used, the hole dimensions should be larger. The dimensions above should serve as a guideline. Contact JST for details.

Contact



Specifications

- Current rating: 3A AC, DC (AWG #22)
- Voltage rating: 100V AC, DC
- Temperature range: -40°C to +85°C
(including temperature rise in applying electrical current)
- Contact resistance: Initial value/ 5m Ω max.
After environmental testing/ 10m Ω max.
- Insulation resistance: 800M Ω min.
- Withstanding voltage: 1,000V AC/minute
- Applicable wire: AWG #26 to #22
0.13 to 0.33mm²
Insulation O.D./ 1.4 to 1.7mm
- Waterproof grade: More than grade 7 ingress protection of JIS C 0920 (IEC 60529 IPX7).

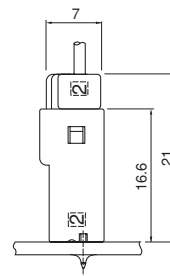
* Compliant with RoHS.

* Refer to "General Instruction and Notice when using Terminals and Connectors" at the end of this catalog.

* Contact JST for details.

Standards

Recognized E60389



Model No.	Applicable wire		Insulation O.D (mm)	Q'ty / reel
	mm ²	AWG#		
SWPR-001T-P025	0.13~0.33	26~22	1.4~1.7	8,200

Material and Finish

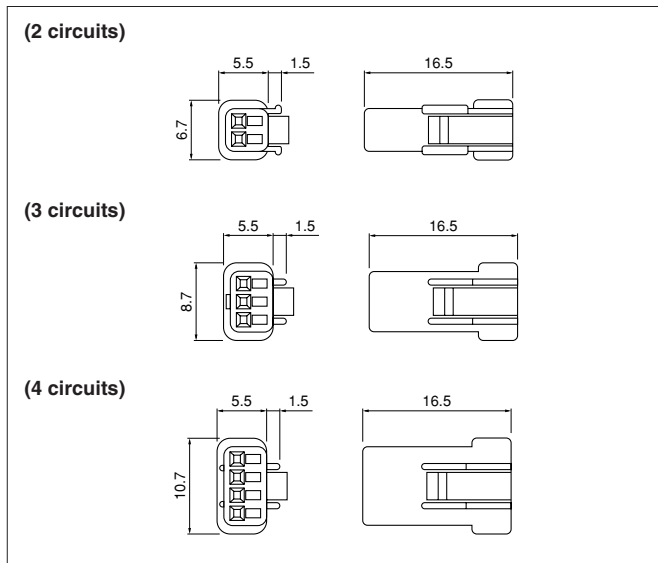
Copper alloy, tin-plated (reflow treatment)

RoHS compliance

Contact	Crimping machine	Applicator		
		Crimp applicator	Dies	Crimp applicator with dies
SWPR-001T-P025	AP-K2N	MKS-L	MK/SWPR/T-001-025	APLMK SWPR/T001-025
		—	—	—

JWPF CONNECTOR

Housing



Note: Housing comes with seal rubber plate.

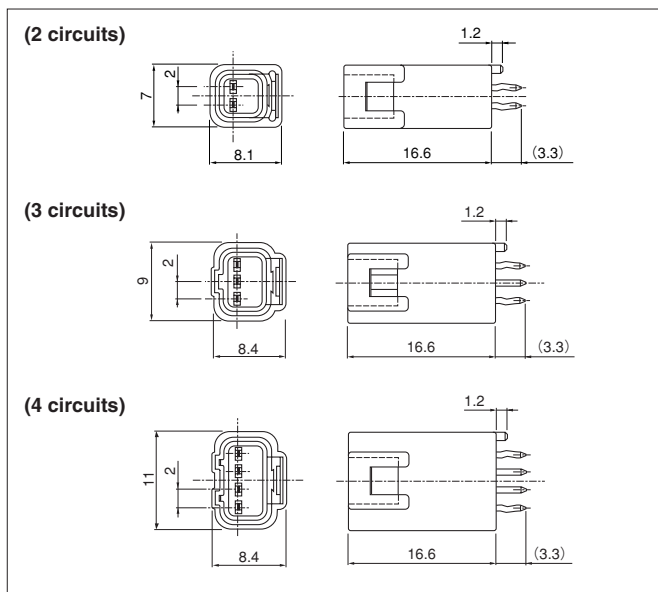
Circuits	Model No.	Q'ty / bag
2	02R-JWPF-VSLE-S	1,000
3	03R-JWPF-VSLE-S	1,000
4	04R-JWPF-VSLE-S	1,000

Material

PBT, UL94V-0, natural (white)

RoHS compliance

Shrouded header



Circuits	Model No.	Q'ty / box
2	B02B-JWPF-SK-R	825
3	B03B-JWPF-SK-R	650
4	B04B-JWPF-SK-R	525

Material and Finish

Press pin: Copper alloy, tin-plated (reflow treatment)
 Seal ring: Silicon rubber
 Seal ring holder: PBT, UL94V-0, yellow
 Wafer: Glass-filled PBT, UL94V-0, natural (white)

RoHS compliance This product displays (LF)(SN) on a label.