



Chipsmall Limited consists of a professional team with an average of over 10 year of expertise in the distribution of electronic components. Based in Hongkong, we have already established firm and mutual-benefit business relationships with customers from,Europe,America and south Asia,supplying obsolete and hard-to-find components to meet their specific needs.

With the principle of “Quality Parts,Customers Priority,Honest Operation,and Considerate Service”,our business mainly focus on the distribution of electronic components. Line cards we deal with include Microchip,ALPS,ROHM,Xilinx,Pulse,ON,Everlight and Freescale. Main products comprise IC,Modules,Potentiometer,IC Socket,Relay,Connector.Our parts cover such applications as commercial,industrial, and automotives areas.

We are looking forward to setting up business relationship with you and hope to provide you with the best service and solution. Let us make a better world for our industry!



Contact us

Tel: +86-755-8981 8866 Fax: +86-755-8427 6832

Email & Skype: info@chipsmall.com Web: www.chipsmall.com

Address: A1208, Overseas Decoration Building, #122 Zhenhua RD., Futian, Shenzhen, China



April 5th, 2018

Request for Deviation

Customer: All Anaren Order#
 Customer P/N: Anaren Waiver # CHEN-AXJT27
 Anaren P/N: 42124-G001/B0430J50100AHF Qty Affected: 250,000

Request for Performance Deviation(s):

Anaren would like to request a deviation to the B0430J50100AHF test parameters. We are splitting the band into two narrow bands, 400 – 2500MHz and 2501 – 3000MHz. The table below outlines the current specification and required deviation to those specifications.

Current Data Sheet Specifications:

Frequency	Return Loss	Insertion Loss	Amplitude Balance	Phase Balance	Power Handling	Operating Temp.
<i>MHz</i>	<i>dB Min</i>	<i>dB Max</i>	<i>dB Max</i>	<i>Deg Min</i>	<i>Watts Max</i>	<i>°C</i>
400 - 3000MHz	8.4	4.0	1.4	12	0.4	-55 to +105

Waiver Specifications:

Frequency	Return Loss	Insertion Loss	Amplitude Balance	Phase Balance	Power Handling	Operating Temp.
<i>MHz</i>	<i>dB Min</i>	<i>dB Max</i>	<i>dB Max</i>	<i>Deg Min</i>	<i>Watts Max</i>	<i>°C</i>
400 - 2500MHz	8.4	4.0	1.4	12	0.4	-55 to +105
2501 - 3000MHz	7.0	4.0	1.4	12	0.4	-55 to +105

Root Cause:

When Anaren originally established the specifications for this part, they were based on estimated projections for material and process stability established during low volume pilot builds. As we have increased production quantities, it has become apparent that these projections were too optimistic. The net result is that this part has had consistently poor yield.

Short Term Action:

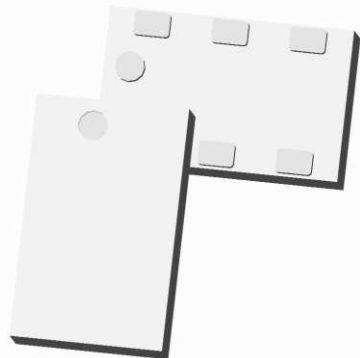
Once this deviation request is approved it will take approximately 2 business days to complete the final processing of the material for shipment.

Long Term Action:

Anaren has issued a permanent specification change notification for this part. A formal PCN will follow.

Xinger®

Ultra Low Profile 0805 Balun 50Ω to 100Ω Balanced



Description

The B0430J50100AHF is a low cost, low profile sub-miniature unbalanced to balanced transformer designed specifically for differential inputs and output locations on next generation A to D and D to A Converter IC's in an easy to use surface mount package, covering 400 MHz–3000 MHz. The B0430J50100AHF is ideal for high volume manufacturing and delivers higher performance than traditional wire wound baluns. The B0430J50100AHF has an unbalanced port impedance of 50Ω and a 100Ω balanced port impedance. This transformation enables single ended signals to be applied to differential ports. The output ports have equal amplitude (-3dB) with 180 degree phase differential. The B0430J50100AHF is available on tape and reel for pick and place high volume manufacturing. Note that for optimal performance, the B0430J50100AHF should be used with a 10 pF series capacitor on the unbalanced port as shown in p. 2 & 3.

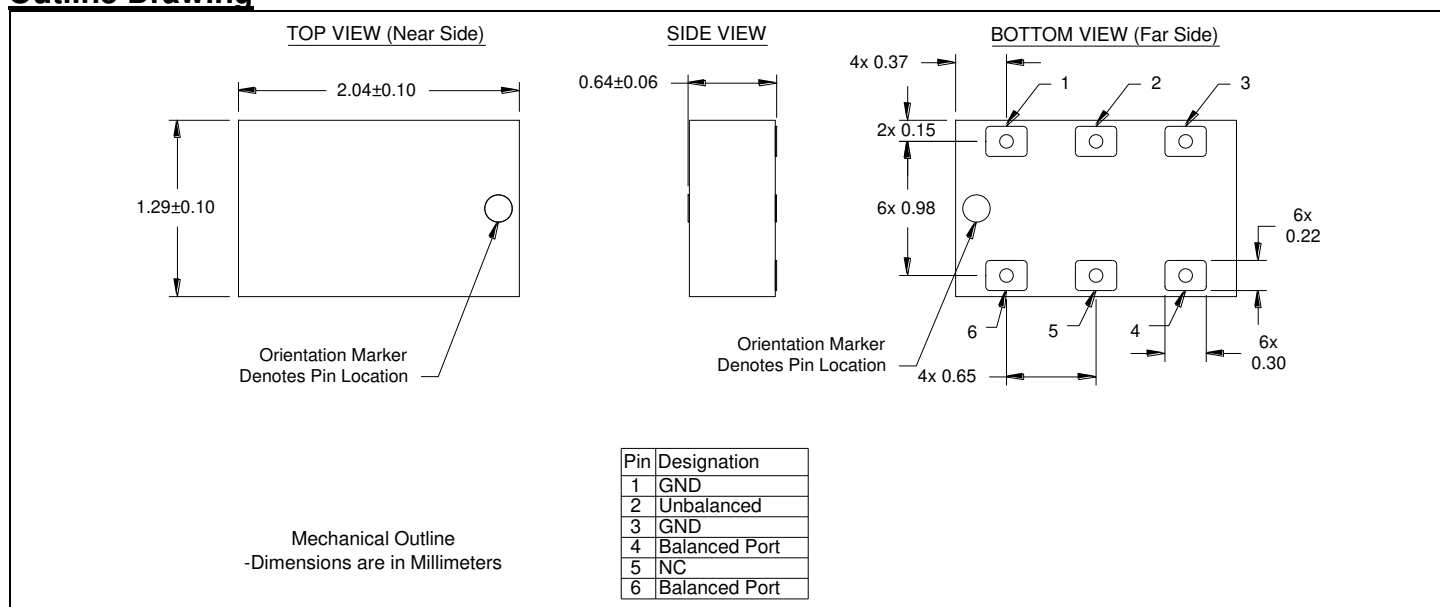
Detailed Electrical Specifications:

Specifications subject to change without notice.

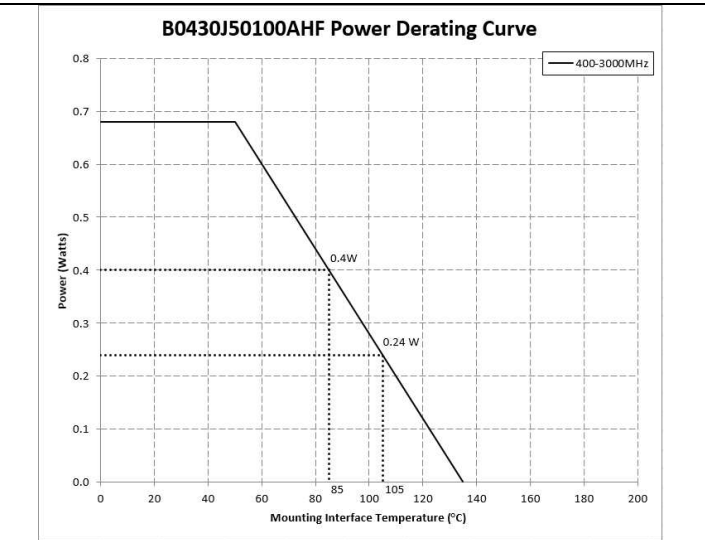
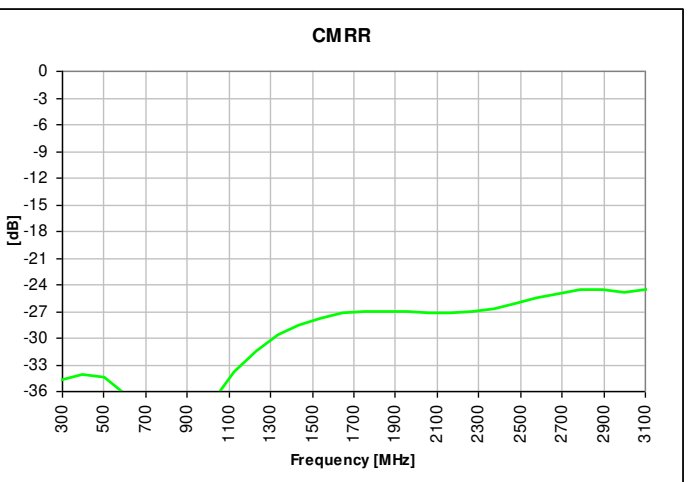
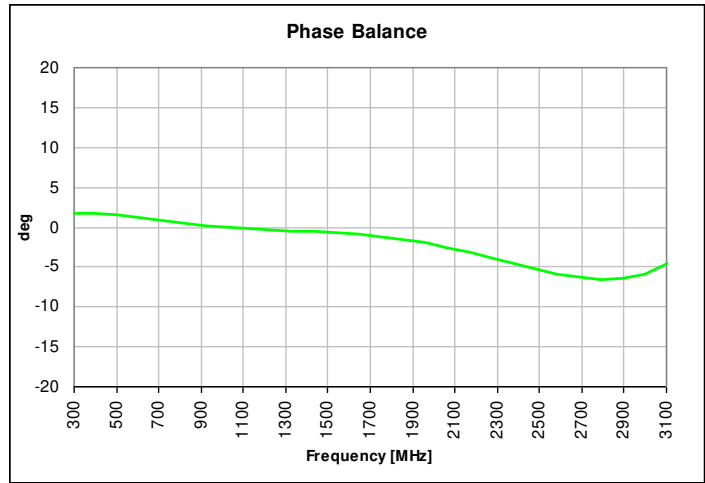
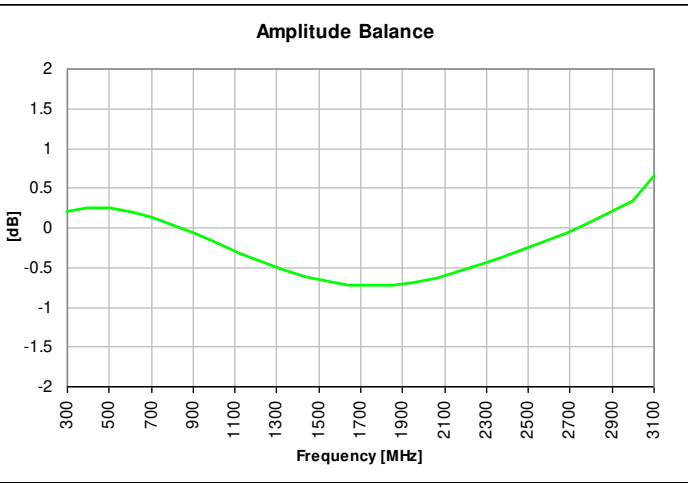
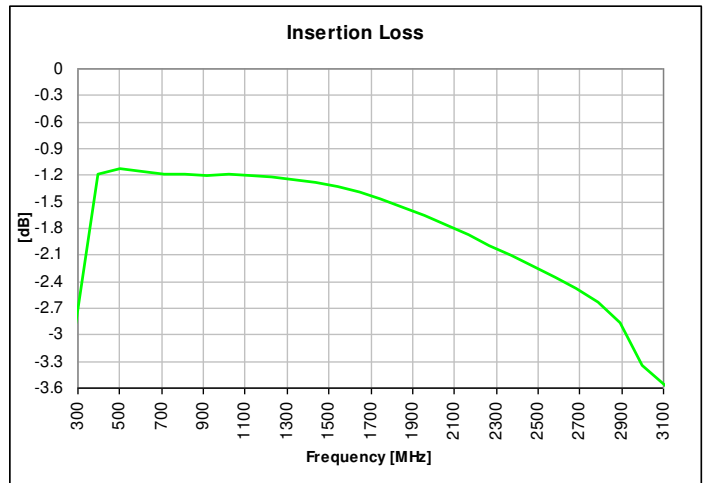
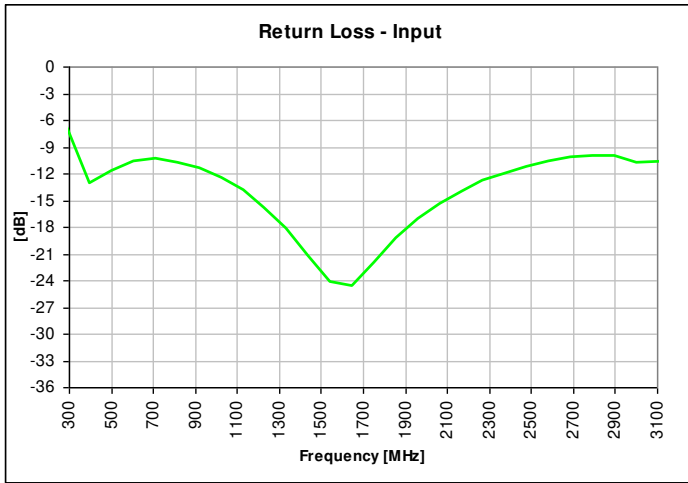
Features:	Parameter	ROOM (25°C)			Unit	
		Min.	Typ.	Max		
<ul style="list-style-type: none"> • 400 – 3000 MHz • 0.7mm Height Profile • 50 Ohm to 2 x 50 Ohm • Low Insertion Loss • Designed for A-D and D-A Converters • Surface Mountable • Tape & Reel • Non-conductive Surface • RoHS Compliant • Halogen Free 	Frequency	400		3000	MHz	
	Unbalanced Port Impedance		50		Ω	
	Balanced Port Impedance		100		Ω	
	Return Loss	8.4	9.9		dB	
	Insertion Loss*		3.4	4.0	dB	
	Amplitude Balance		0.7	1.4	dB	
	Phase Balance		7	12	Degrees	
	CMRR		25		dB	
	Power Handling @85C			0.4	Watts	
	Operating Temperature		-55		+105	°C

* Insertion Loss stated at room temperature (Insertion Loss is approximately 0.1 dB higher at +85 °C)

Outline Drawing



Typical Performance: 300 MHz. to 3100 MHz. with an external 10 pF capacitor on pin 2



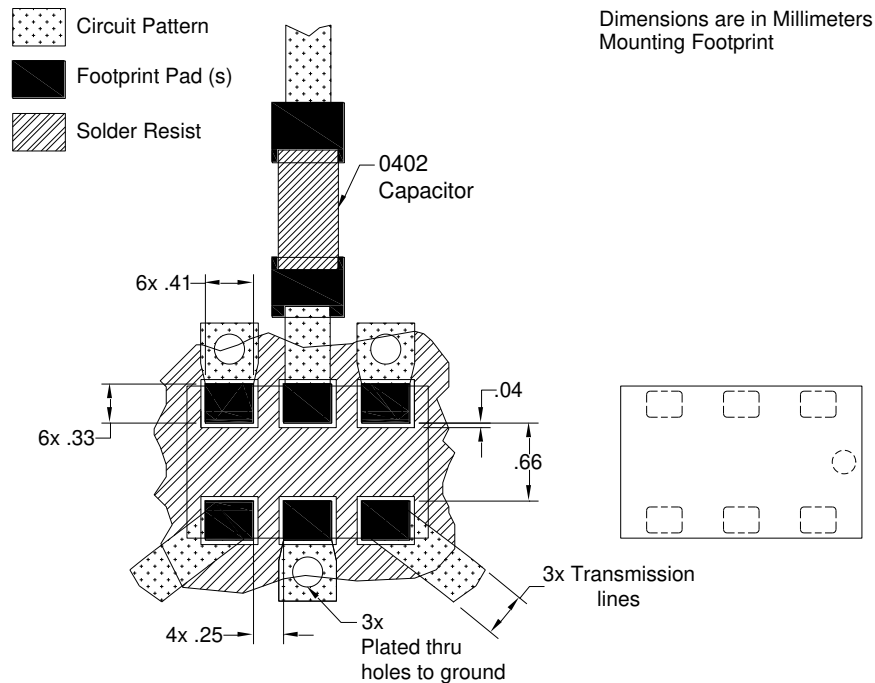
Mounting Configuration:

In order for Xinger surface mount components to work optimally, the proper impedance transmission lines must be used to connect to the RF ports. If this condition is not satisfied, insertion loss, Isolation and VSWR may not meet published specifications.

All of the Xinger components are constructed from organic PTFE based composites which possess excellent electrical and mechanical stability. Xinger components are compliant to a variety of ROHS and Green standards and ready for Pb-free soldering processes. Pads are Gold plated with a Nickel barrier.

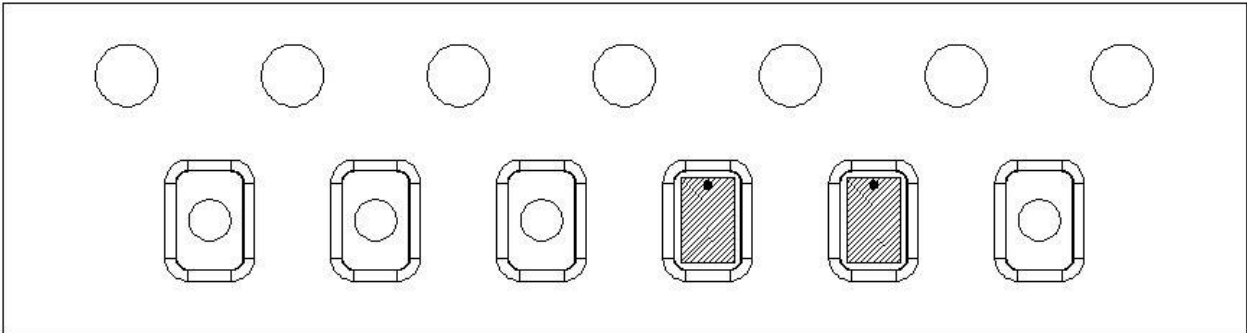
This component requires a 10 pF capacitor to be mounted in front of the unbalanced port (Pin 2) of the balun as shown in the drawing below for optimum performance. The capacitor should be placed as close as possible to the balun to minimize transmission line effects as shown in the suggested PCB footprint below.

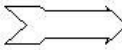
An example of the PCB footprint used in the testing of these parts is shown below. In specific designs, the transmission line widths need to be adjusted to the unique dielectric coefficients and thicknesses as well as varying pick and place equipment tolerances.



Packaging and Ordering Information

Parts are available in reel and are packaged per EIA 481-D. Parts are oriented in tape and reel as shown below. Minimum order quantities are 4000 per reel.



Direction of
Part Feed
(Unloading) 

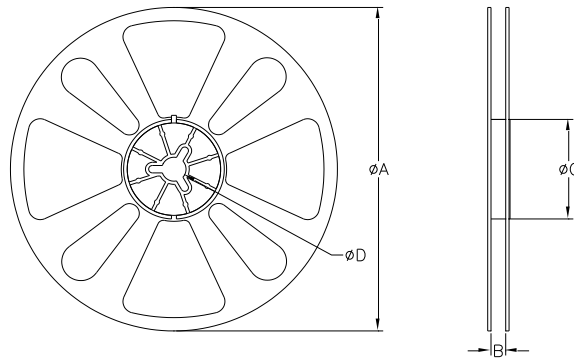


TABLE 1		
QUANTITY/REEL	REEL DIMENSIONS mm	
4000	ϕA	177.80
	B	8.00
	ϕC	50.80
	ϕD	13.00