



Chipsmall Limited consists of a professional team with an average of over 10 year of expertise in the distribution of electronic components. Based in Hongkong, we have already established firm and mutual-benefit business relationships with customers from,Europe,America and south Asia,supplying obsolete and hard-to-find components to meet their specific needs.

With the principle of “Quality Parts,Customers Priority,Honest Operation,and Considerate Service”,our business mainly focus on the distribution of electronic components. Line cards we deal with include Microchip,ALPS,ROHM,Xilinx,Pulse,ON,Everlight and Freescale. Main products comprise IC,Modules,Potentiometer,IC Socket,Relay,Connector.Our parts cover such applications as commercial,industrial, and automotives areas.

We are looking forward to setting up business relationship with you and hope to provide you with the best service and solution. Let us make a better world for our industry!



Contact us

Tel: +86-755-8981 8866 Fax: +86-755-8427 6832

Email & Skype: info@chipsmall.com Web: www.chipsmall.com

Address: A1208, Overseas Decoration Building, #122 Zhenhua RD., Futian, Shenzhen, China





SAW filters for mobile communications

Series/Type: **B4218**

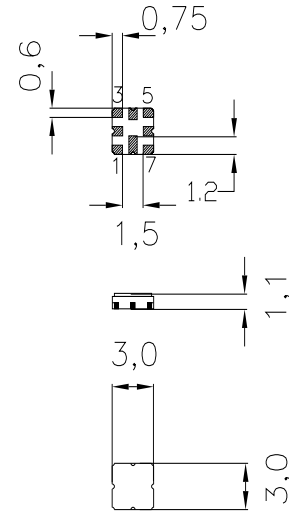
The following products presented in this data sheet are being withdrawn.

Ordering Code	Substitute Product	Date of Withdrawal	Deadline Last Orders	Last Shipments
B39192B4218U810		2009-07-31	2009-11-30	2010-02-28

For further information please contact your nearest EPCOS sales office, which will also support you in selecting a suitable substitute. The addresses of our worldwide sales network are presented at www.epcos.com/sales.


 Ceramic package **QCC8D**
Features

- Low-loss 2-in-1 RF filter for mobile telephone PCS systems, transmit path
- Device with two integrated Tx-filter
- Usable passband of Tx-filter 1 30 MHz
- Usable passband of Tx-filter 2 30 MHz
- No matching network required for operation at 50 Ω
- Package for **Surface Mounted Technology (SMT)**



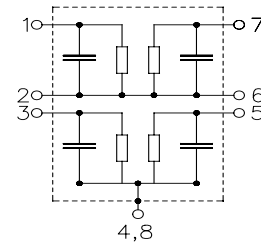
Dimensions in mm, approx. weight 0,037 g

Terminals

- Ni, gold-plated

Pin configuration

- | | |
|-----|-----------------------------|
| 1 | Input Tx-filter 1 |
| 7 | Output Tx-filter 1 |
| 2,6 | To be grounded |
| 3 | Input Tx-filter 2 |
| 5 | Output Tx-filter 2 |
| 4,8 | Case-ground, to be grounded |



Type	Ordering code	Marking and Package according to	Packing according to
B4218	B39192-B4218-U810	C61157-A7-A72	F61074-V8101-Z000

Electrostatic Sensitive Device (ESD)

Maximum ratings

Operable temperature range	T	- 40 /+ 85	°C	source and load impedance 50 Ω continuous wave
Storage temperature range	T_{stg}	- 40 /+ 85	°C	
DC voltage	V_{DC}	3	V	
Input power max. 1850...1910 MHz	P_{IN}	10	dBm	


Characteristics of Tx-filter 1

Operating temperature range: $T = -30$ to $+85$ °C
 Terminating source impedance: $Z_S = 50 \Omega$
 Terminating load impedance: $Z_L = 50 \Omega$

				min.	typ.	max.	
Center frequency	f_c			—	1865,0	—	MHz
Maximum insertion attenuation	α_{max}			—	1,8	2,5	dB
		1850,0 ... 1880,0	MHz				
Amplitude ripple (p-p)	$\Delta\alpha$			—	0,7	1,4	dB
		1850,0 ... 1880,0	MHz				
Input return loss				9,0	10,0	—	dB
		1850,0 ... 1880,0	MHz				
Output return loss				9,0	10,0	—	dB
		1850,0 ... 1880,0	MHz				
Attenuation	α						
		10,0 ... 1570,0	MHz	25,0	29,0	—	dB
		1570,0 ... 1580,0	MHz	30,0	32,0	—	dB
		1580,0 ... 1780,0	MHz	29,0	32,0	—	dB
		1780,0 ... 1800,0	MHz	25,0	30,0	—	dB
		1800,0 ... 1805,0	MHz	20,0	26,0	—	dB
		1930,0 ... 1960,0	MHz	38,0	45,0	—	dB
		1960,0 ... 2400,0	MHz	32,0	35,0	—	dB
		2400,0 ... 3000,0	MHz	22,0	32,0	—	dB
		3000,0 ... 4000,0	MHz	15,0	19,0	—	dB
		5550,0 ... 5640,0	MHz	0,0	5,0	—	dB
Rx band suppression	α						
		1930,0 ... 1960,0	MHz	38,0	45,0	—	dB
LO suppression	α						
		2113,0 ... 2174,0	MHz	32,0	35,0	—	dB

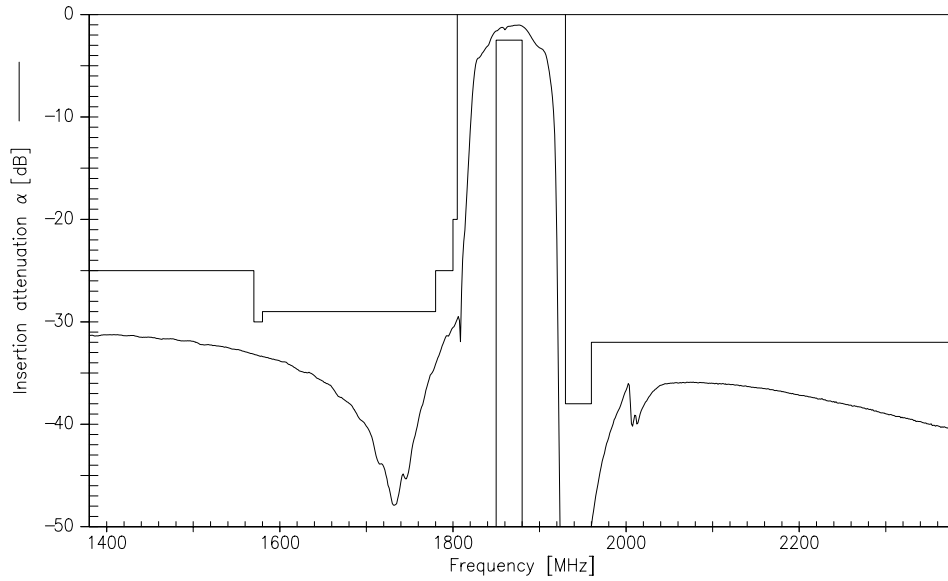

Characteristics of Tx-filter 2

Operating temperature range: $T = -30$ to $+85$ °C
 Terminating source impedance: $Z_S = 50 \Omega$
 Terminating load impedance: $Z_L = 50 \Omega$

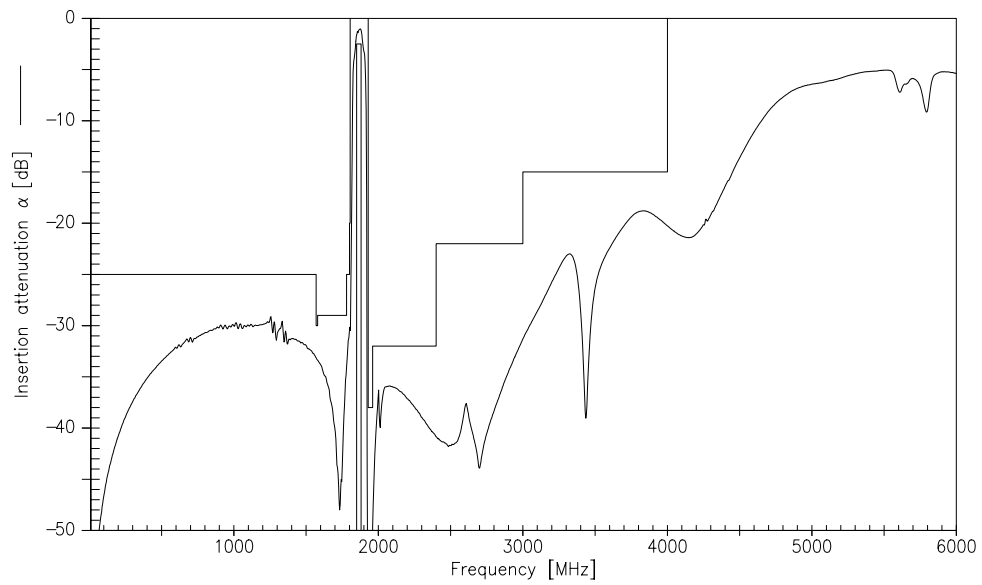
				min.	typ.	max.	
Center frequency		f_c		—	1895,0	—	MHz
Maximum insertion attenuation	1880,0 ... 1910,0	MHz	α_{max}	—	1,8	2,5	dB
Amplitude ripple (p-p)	1880,0 ... 1910,0	MHz	$\Delta\alpha$	—	0,7	1,4	dB
Input return loss	1880,0 ... 1910,0	MHz		9,0	10,0	—	dB
Output return loss	1880,0 ... 1910,0	MHz		9,0	10,0	—	dB
Attenuation			α				
	10,0 ... 1570,0	MHz		25,0	29,0	—	dB
	1570,0 ... 1580,0	MHz		30,0	32,0	—	dB
	1580,0 ... 1780,0	MHz		29,0	32,0	—	dB
	1780,0 ... 1800,0	MHz		25,0	30,0	—	dB
	1800,0 ... 1830,0	MHz		22,0	29,0	—	dB
	1960,0 ... 1990,0	MHz		38,0	45,0	—	dB
	1990,0 ... 2400,0	MHz		32,0	35,0	—	dB
	2400,0 ... 3000,0	MHz		22,0	30,0	—	dB
	3000,0 ... 4000,0	MHz		15,0	19,0	—	dB
	5640,0 ... 5730,0	MHz		0,0	5,0	—	dB
Rx band suppression	1960,0 ... 1990,0	MHz	α	38,0	45,0	—	dB
LO suppression	2113,0 ... 2174,0	MHz	α	32,0	35,0	—	dB



Transfer function Tx-filter 1

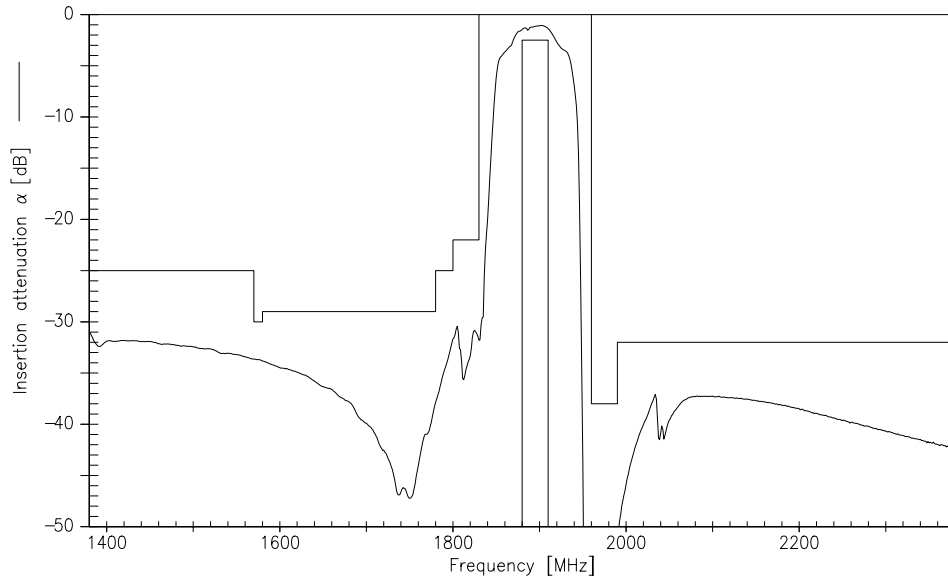


Transfer function Tx-filter 1(wideband)

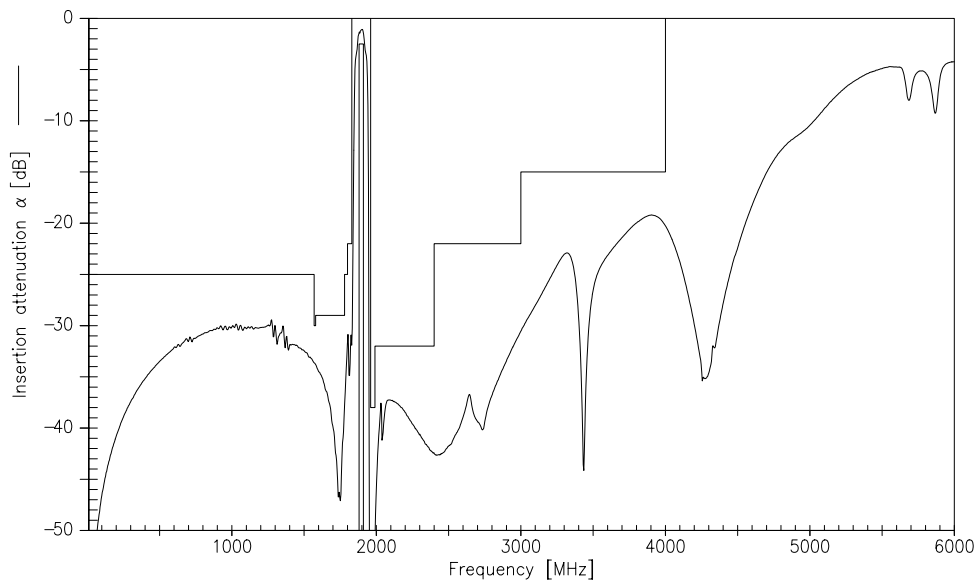




Transfer function Tx-filter 2

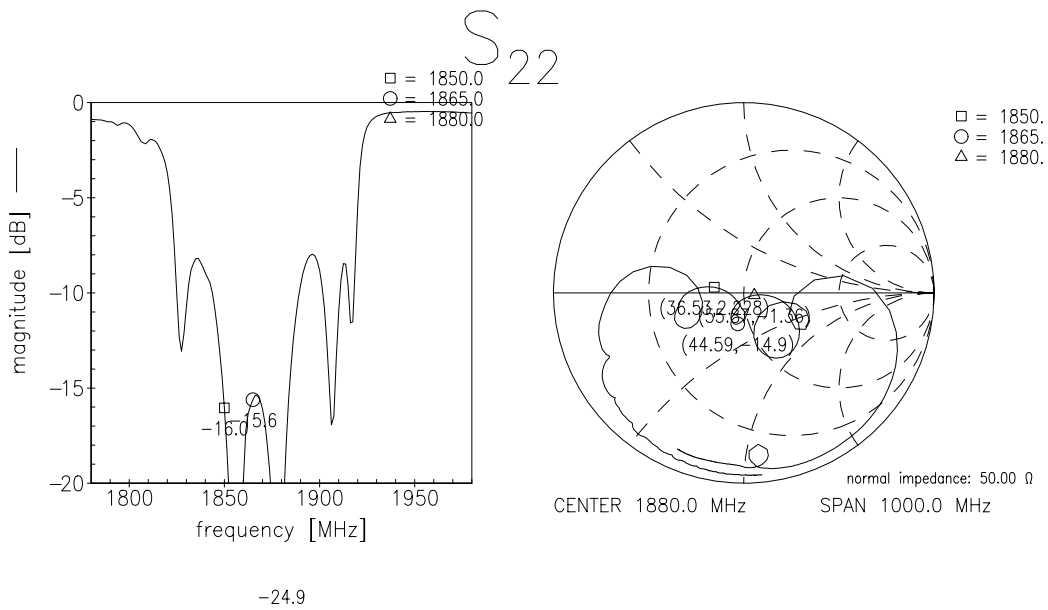
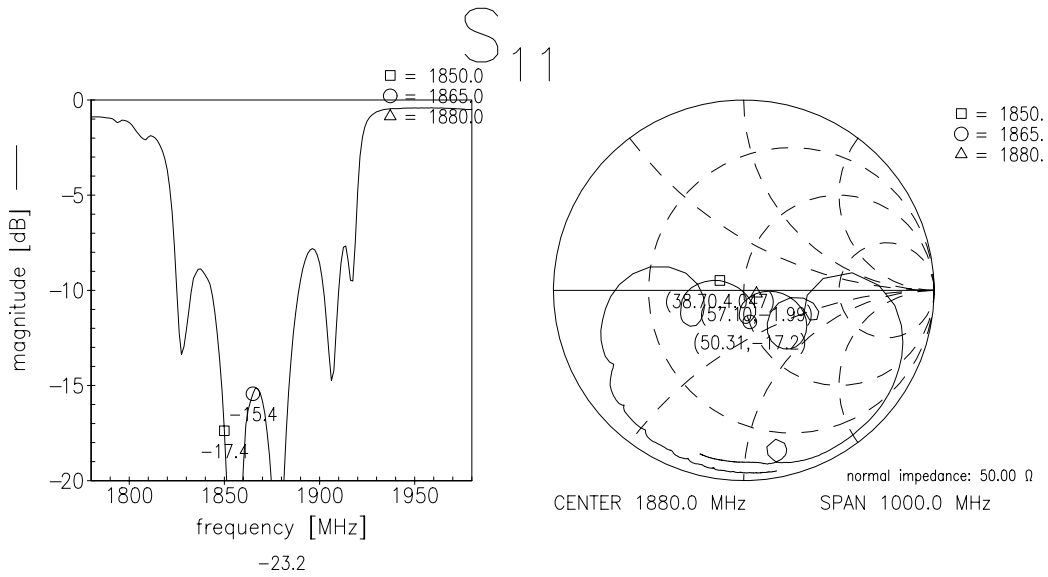


Transfer function Tx-filter 2(wideband)



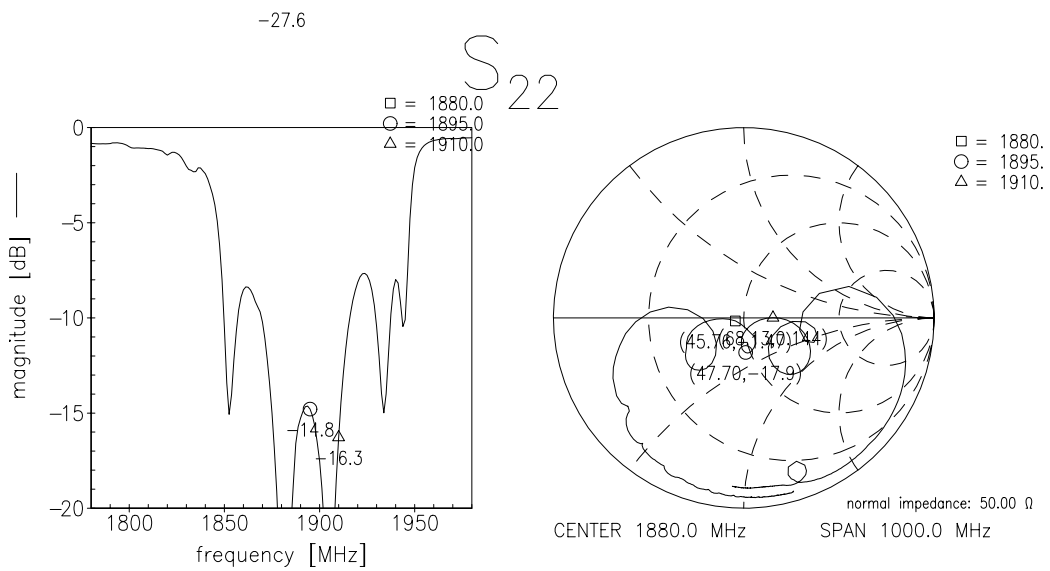
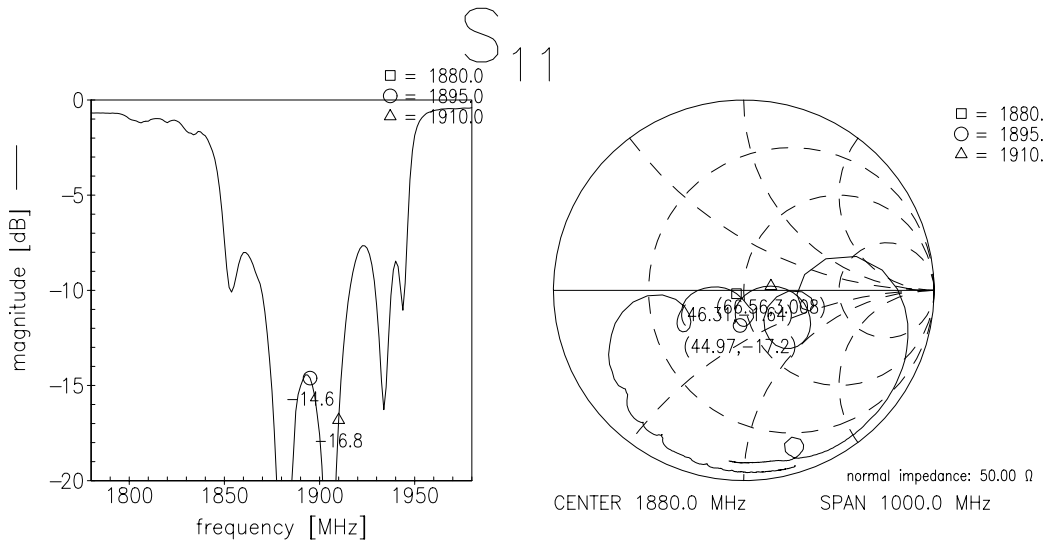


Reflection functions of Tx-filter 1





Reflection functions of Tx-filter 2



**Published by EPCOS AG****Surface Acoustic Wave Components Division, SAW MC WT****P.O. Box 80 17 09, D-81617 München**

© EPCOS AG 2000. All Rights Reserved. Reproduction, publication and dissemination of this brochure and the information contained therein without EPCOS' prior express consent is prohibited.

The information contained in this brochure describes the type of component and shall not be considered as guaranteed characteristics. Purchase orders are subject to the General Conditions for the Supply of Products and Services of the Electrical and Electronics Industry recommended by the ZVEI (German Electrical and Electronic Manufacturers' Association), unless otherwise agreed.

This brochure replaces the previous edition.

For questions on technology, prices and delivery please contact the Sales Offices of EPCOS AG or the international Representatives.

Due to technical requirements components may contain dangerous substances. For information on the type in question please also contact one of our Sales Offices.