



Chipsmall Limited consists of a professional team with an average of over 10 year of expertise in the distribution of electronic components. Based in Hongkong, we have already established firm and mutual-benefit business relationships with customers from,Europe,America and south Asia,supplying obsolete and hard-to-find components to meet their specific needs.

With the principle of “Quality Parts,Customers Priority,Honest Operation,and Considerate Service”,our business mainly focus on the distribution of electronic components. Line cards we deal with include Microchip,ALPS,ROHM,Xilinx,Pulse,ON,Everlight and Freescale. Main products comprise IC,Modules,Potentiometer,IC Socket,Relay,Connector.Our parts cover such applications as commercial,industrial, and automotives areas.

We are looking forward to setting up business relationship with you and hope to provide you with the best service and solution. Let us make a better world for our industry!



Contact us

Tel: +86-755-8981 8866 Fax: +86-755-8427 6832

Email & Skype: info@chipsmall.com Web: www.chipsmall.com

Address: A1208, Overseas Decoration Building, #122 Zhenhua RD., Futian, Shenzhen, China





SAW Components

Preliminary Data R901

Data Sheet

A large, stylized graphic of a globe with the word "EPCOS" written across it in a large, white, sans-serif font. The globe is rendered in shades of gray and white, with a grid of latitude and longitude lines. The word "EPCOS" is positioned diagonally across the globe, from the bottom left to the top right.



SAW Components

R901

Resonator

315,00 MHz

Preliminary Data

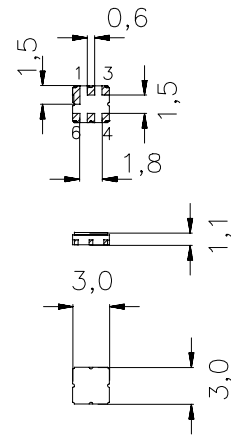
Ceramic package **DCC6C**

Features

- 1-port resonator
- Provides reliable, fundamental mode, quartz frequency stabilization i.e. in transmitters or local oscillators
- Hermetically sealed ceramic package
- Protection layer: Elpas
- AEC-Q200 qualified components family

Terminals

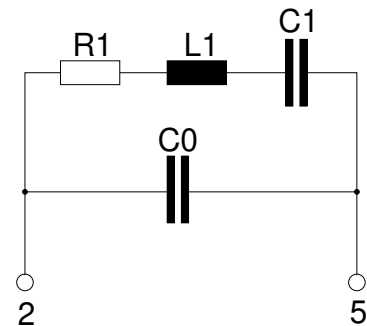
- Ni, gold plated



Dimensions in mm, approx. weight 0,037 g

Pin configuration

- 2 Input
- 5 Output, grounded in 1-port conf.
- 1,3,4,6 Ground (case)



| Type | Ordering code | Marking and Package according to | Packing according to |
|------|-------------------|----------------------------------|----------------------|
| R901 | B39321-R 901-U410 | C61157-A7-A67 | F61074-V8168-Z000 |

Electrostatic Sensitive Device (ESD)

Maximum ratings

| | | | | |
|----------------------------|-----------|---------|-----|-----------------------|
| Operable temperature range | T_A | -40/+95 | °C | between any terminals |
| Storage temperature range | T_{stg} | -40/+95 | °C | |
| DC voltage | V_{DC} | 12 | V | |
| Source power | P_s | 0 | dBm | |



SAW Components

R901

Resonator

315,00 MHz

Preliminary Data

Characteristics

Reference temperature: $T_A = 25\text{ °C}$
 Terminating source impedance: $Z_S = 50\ \Omega$
 Terminating load impedance: $Z_L = 50\ \Omega$

| | | min. | typ. | max. | |
|---|-----------------|-------------|-------------|-------------|--------------------|
| Center frequency ¹⁾ | f_c | 314,925 | 315,000 | 315,075 | MHz |
| Minimum insertion attenuation | α_{\min} | — | 1,4 | 1,8 | dB |
| Unloaded quality factor | Q_U | 7600 | 10800 | — | |
| Ageing of f_c | | — | — | -50/+50 | ppm |
| Equivalent circuit elements | | | | | |
| Motional capacitance | C_1 | — | 2,445 | — | fF |
| Motional inductance | L_1 | — | 104,4 | — | μH |
| Motional resistance | R_1 | — | 19 | 27 | Ω |
| Parallel capacitance ²⁾ | C_0 | — | 3,30 | — | pF |
| Temperature coefficient of frequency ³⁾ | TC_f | — | -0,032 | — | ppm/K ² |
| Turnover temperature | T_0 | 20 | — | 50 | $^{\circ}\text{C}$ |

¹⁾ Center frequency is defined as maximum of the real part of the admittance

²⁾ If used in two port configuration (pin 1-input, pin 3-output) C_0 is reduced by approx. 0,3 pF.

³⁾ Temperature dependence of f_c : $f_c(T_A) = f_c(T_0)(1 + TC_f(T_A - T_0)^2)$



SAW Components

R901

Resonator

315,00 MHz

Preliminary Data

Published by EPCOS AG

Surface Acoustic Wave Components Division, SAW CE AE PD

P.O. Box 80 17 09, D-81617 München

© EPCOS AG 2005. All Rights Reserved. Reproduction, publication and dissemination of this brochure and the information contained therein without EPCOS' prior express consent is prohibited.

The information contained in this brochure describes the type of component and shall not be considered as guaranteed characteristics. Purchase orders are subject to the General Conditions for the Supply of Products and Services of the Electrical and Electronics Industry recommended by the ZVEI (German Electrical and Electronic Manufacturers' Association), unless otherwise agreed.

This brochure replaces the previous edition.

For questions on technology, prices and delivery please contact the Sales Offices of EPCOS AG or the international Representatives.

Due to technical requirements components may contain dangerous substances. For information on the type in question please also contact one of our Sales Offices.