



Chipsmall Limited consists of a professional team with an average of over 10 year of expertise in the distribution of electronic components. Based in Hongkong, we have already established firm and mutual-benefit business relationships with customers from,Europe,America and south Asia,supplying obsolete and hard-to-find components to meet their specific needs.

With the principle of “Quality Parts,Customers Priority,Honest Operation,and Considerate Service”,our business mainly focus on the distribution of electronic components. Line cards we deal with include Microchip,ALPS,ROHM,Xilinx,Pulse,ON,Everlight and Freescale. Main products comprise IC,Modules,Potentiometer,IC Socket,Relay,Connector.Our parts cover such applications as commercial,industrial, and automotives areas.

We are looking forward to setting up business relationship with you and hope to provide you with the best service and solution. Let us make a better world for our industry!



## Contact us

Tel: +86-755-8981 8866 Fax: +86-755-8427 6832

Email & Skype: info@chipsmall.com Web: www.chipsmall.com

Address: A1208, Overseas Decoration Building, #122 Zhenhua RD., Futian, Shenzhen, China





# SAW multimedia filters

## Series/Type: **K9351M**

The following products presented in this data sheet are being withdrawn.

Ordering Code	Substitute Product	Date of Withdrawal	Deadline Last Orders	Last Shipments
B39380K9351M100		2011-01-14	2011-09-30	2012-09-30

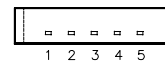
For further information please contact your nearest EPCOS sales office, which will also support you in selecting a suitable substitute. The addresses of our worldwide sales network are presented at [www.epcos.com/sales](http://www.epcos.com/sales).

© EPCOS AG 2015. Reproduction, publication and dissemination of this publication, enclosures hereto and the information contained therein without EPCOS' prior express consent is prohibited.

EPCOS AG is a TDK Group Company.

**SAW Components**
**K 9351 M**
**IF Filter for Audio Applications**
**38,00 MHz**
**Data Sheet**
**Standard**

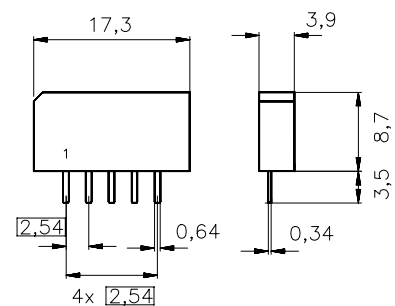
- B/G
- D/K
- I

 Plastic package **SIP5K**

**Features**

- TV IF audio filter with pass band for sound carriers between 31,45 MHz and 32,50 MHz

**Terminals**

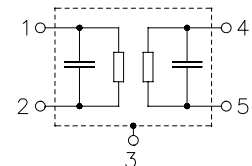
- Tinned CuFe alloy



Dimensions in mm, approx. weight 1,0 g

**Pin configuration**

- |   |                       |
|---|-----------------------|
| 1 | Input                 |
| 2 | Input - ground        |
| 3 | Chip carrier - ground |
| 4 | Output                |
| 5 | Output                |



Type	Ordering code	Marking and package according to	Packing according to
K 9351 M	B39380-K9351-M100	C61157-A1-A15	F61074-V8067-Z000

**Maximum ratings**

Operable temperature range	$T_A$	-25/+65	°C	
Storage temperature range	$T_{stg}$	-40/+85	°C	
DC voltage	$V_{DC}$	5	V	between any terminals
AC voltage	$V_{pp}$	10	V	between any terminals

**SAW Components**
**K 9351 M**
**IF Filter for Audio Applications**
**38,00 MHz**
**Data Sheet**
**Characteristics**

Reference temperature:

$T_A = 25 \text{ }^\circ\text{C}$

Terminating source impedance:

$Z_S = 50 \text{ } \Omega$

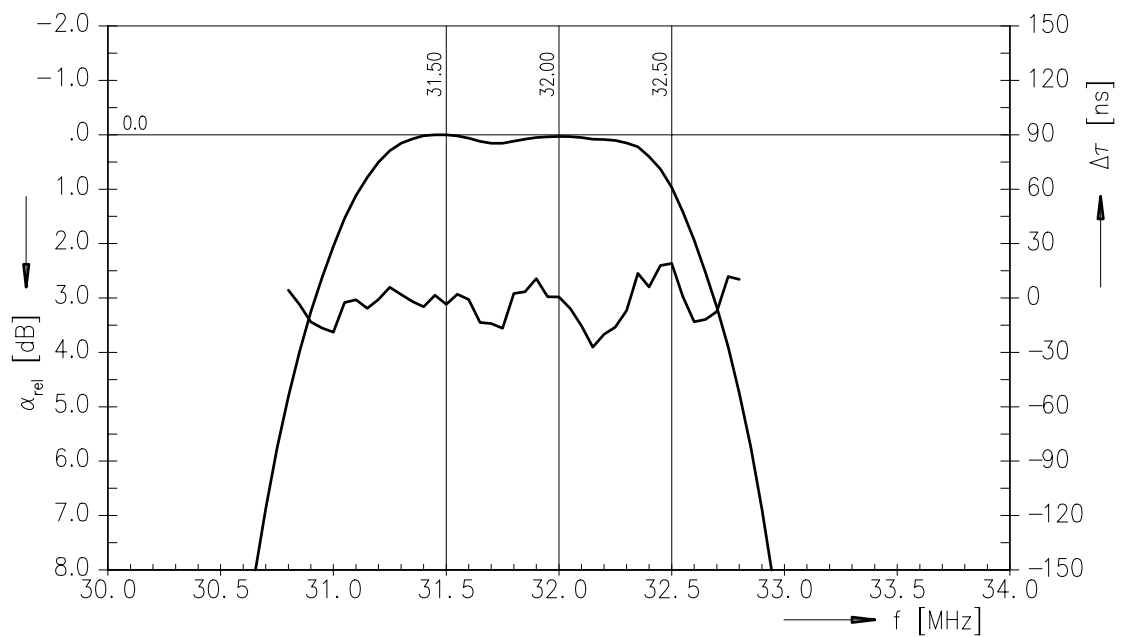
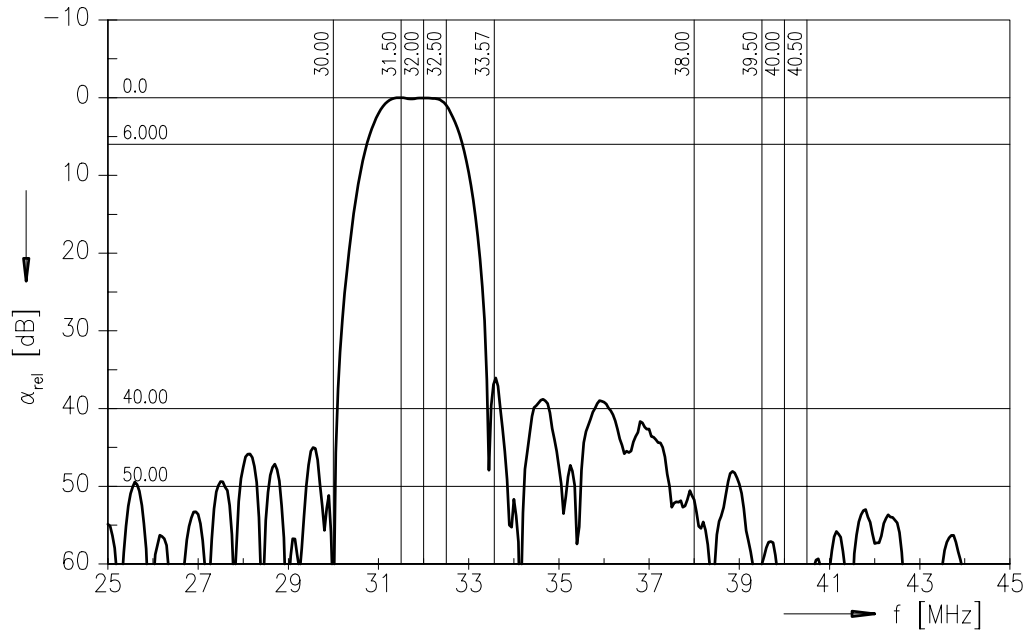
Terminating load impedance:

$Z_L = 2 \text{ k}\Omega \parallel 3 \text{ pF}$

		min.	typ.	max.	
<b>Insertion attenuation</b>					
	$\alpha$				
Reference level for the following data	31,50 MHz	10,2	11,7	13,2	dB
<b>Relative attenuation</b>					
	$\alpha_{rel}$				
Sound carrier	31,45 MHz	-1,0	0,0	1,0	dB
	32,00 MHz	-0,9	0,1	1,1	dB
	32,50 MHz	0,1	1,1	2,1	dB
Picture carrier	38,00 MHz	40,0	48,0	—	dB
Color carrier	33,57 MHz	30,0	37,0	—	dB
Adjacent picture carrier	30,00 MHz	40,0	52,0	—	dB
Adjacent sound carrier	39,50 MHz	45,0	58,0	—	dB
	40,00 MHz	45,0	62,0	—	dB
	40,50 MHz	45,0	60,0	—	dB
Lower sidelobe	25,00 ... 30,00 MHz	39,0	46,0	—	dB
Upper sidelobe	38,00 ... 45,00 MHz	40,0	47,0	—	dB
<b>Impedance at 31,50 MHz</b>					
Input:	$Z_{IN} = R_{IN} \parallel C_{IN}$	—	1,4    11,6	—	k $\Omega$    pF
Output:	$Z_{OUT} = R_{OUT} \parallel C_{OUT}$	—	1,4    4,9	—	k $\Omega$    pF
<b>Temperature coefficient of frequency</b>					
	$TC_f$	—	-72	—	ppm/K

Data Sheet

Frequency response



**SAW Components**

**K 9351 M**

**IF Filter for Audio Applications**

**38,00 MHz**

**Data Sheet**

**Published by EPCOS AG**

**Surface Acoustic Wave Components Division, SAW CE MM PD**

**P.O. Box 80 17 09, D-81617 München**

© EPCOS AG 2001. All Rights Reserved.

As far as patents or other rights of third parties are concerned, liability is only assumed for components per se, not for applications, processes and circuits implemented within components or assemblies.

The information describes the type of component and shall not be considered as assured characteristics.

Terms of delivery and rights to change design reserved.

For questions on technology, prices and delivery please contact the sales offices of EPCOS AG or the international representatives.

Due to technical requirements components may contain dangerous substances. For information on the type in question please also contact one of our sales offices.