



Chipsmall Limited consists of a professional team with an average of over 10 year of expertise in the distribution of electronic components. Based in Hongkong, we have already established firm and mutual-benefit business relationships with customers from,Europe,America and south Asia,supplying obsolete and hard-to-find components to meet their specific needs.

With the principle of “Quality Parts,Customers Priority,Honest Operation,and Considerate Service”,our business mainly focus on the distribution of electronic components. Line cards we deal with include Microchip,ALPS,ROHM,Xilinx,Pulse,ON,Everlight and Freescale. Main products comprise IC,Modules,Potentiometer,IC Socket,Relay,Connector.Our parts cover such applications as commercial,industrial, and automotives areas.

We are looking forward to setting up business relationship with you and hope to provide you with the best service and solution. Let us make a better world for our industry!



Contact us

Tel: +86-755-8981 8866 Fax: +86-755-8427 6832

Email & Skype: info@chipsmall.com Web: www.chipsmall.com

Address: A1208, Overseas Decoration Building, #122 Zhenhua RD., Futian, Shenzhen, China





SAW filters for infrastructure systems

Series/Type: B3851

The following products presented in this data sheet are being withdrawn.

Ordering Code	Substitute Product	Date of Withdrawal	Deadline Last Orders	Last Shipments
B39881B3851U410	B39881B4125U410	2009-09-25	2009-12-31	2010-03-31

For further information please contact your nearest EPCOS sales office, which will also support you in selecting a suitable substitute. The addresses of our worldwide sales network are presented at www.epcos.com/sales.



SAW Components

B3851

Low-Loss Filter for Mobile Communication

881,50 MHz

Preliminary Data



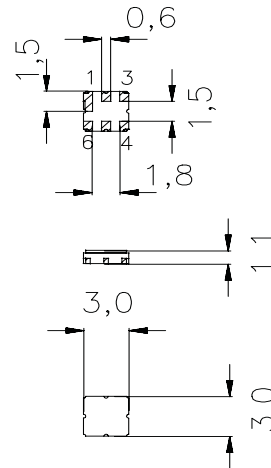
Features

- Low-loss RF filter for mobile telephone AMPS systems, receive path
- Usable passband 25 MHz
- No matching network required for operation at 50 Ω
- Ceramic package for **Surface Mounted Technology (SMT)**

Terminals

- Ni, gold-plated

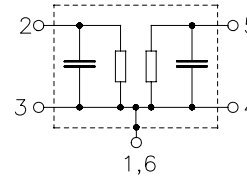
Ceramic package **DCC6C**



Dimensions in mm, approx. weight 0,037 g

Pin configuration

- 2 Input
- 5 Output
- 1,3,4,6 Ground



Type	Ordering code	Marking and Package according to	Packing according to
B3851	B39881-B3851-U410	C61157-A7-A67	F61074-V8088-Z000

Electrostatic Sensitive Device (ESD)

Maximum ratings

Operable temperature range	T	- 30 / + 85	°C	Source impedance 50 Ω
Storage temperature range	T_{stg}	- 40 / + 85	°C	
DC voltage	V_{DC}	5	V	
Input power max.	P_{IN}	5	dBm	



SAW Components

B3851

Low-Loss Filter for Mobile Communication

881,50 MHz

Preliminary Data



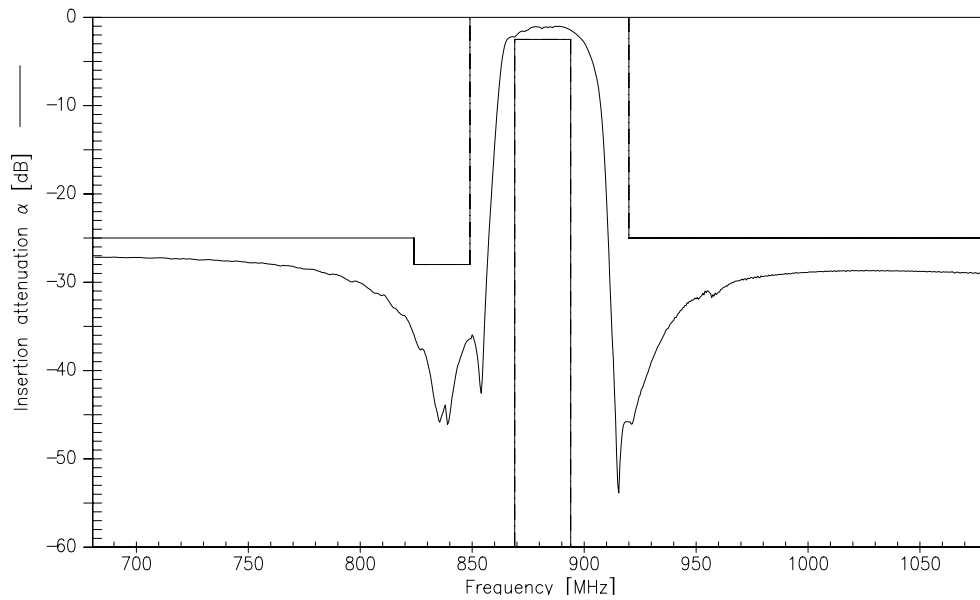
Characteristics

Operating temperature range: $T = -30$ to $+85^{\circ}\text{C}$
 Terminating source impedance: $Z_S = 50\ \Omega$
 Terminating load impedance: $Z_L = 50\ \Omega$

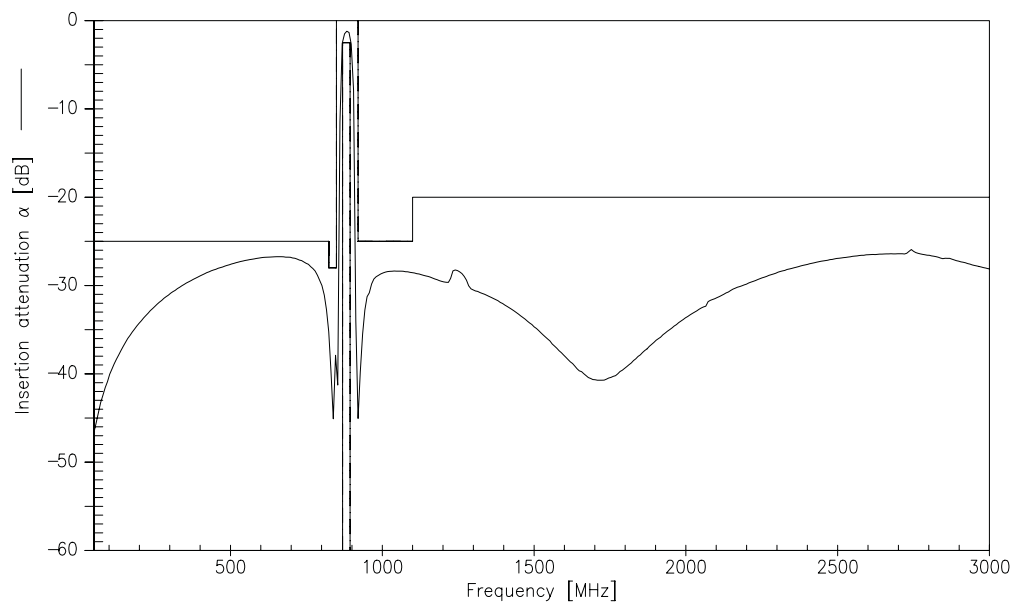
			min.	typ.	max.	
Center frequency	f_c		—	881,50	—	MHz
Maximum insertion attenuation	α_{\max}					
		869,0 ... 894,0 MHz	—	2,4	2,5	dB
Amplitude ripple (p-p)	$\Delta\alpha$					
		869,0 ... 894,0 MHz	—	1,4	1,5	dB
VSWR						
		869,0 ... 894,0 MHz	—	1,7	1,9	
Attenuation	α					
		0,0 ... 824,0 MHz	25,0	27,0	—	dB
		824,0 ... 849,0 MHz	28,0	35,0	—	dB
		920,0 ... 1100,0 MHz	25,0	29,0	—	dB
		1100,0 ... 3000,0 MHz	20,0	26,0	—	dB



Transfer function

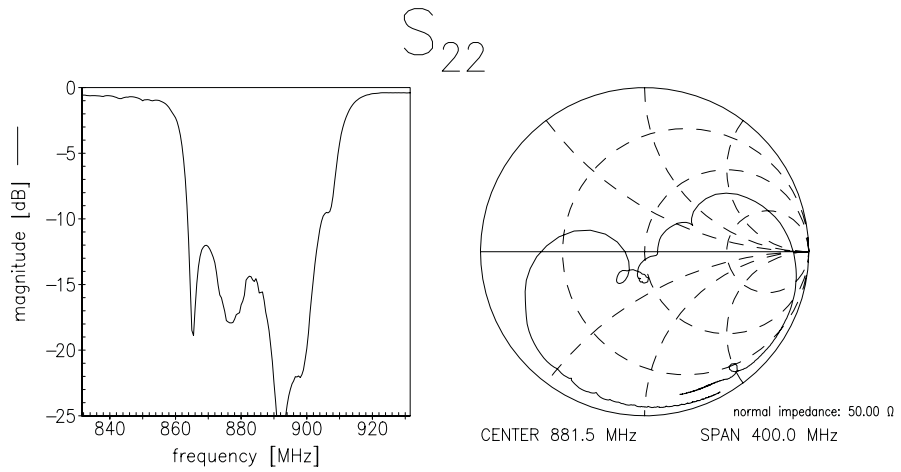
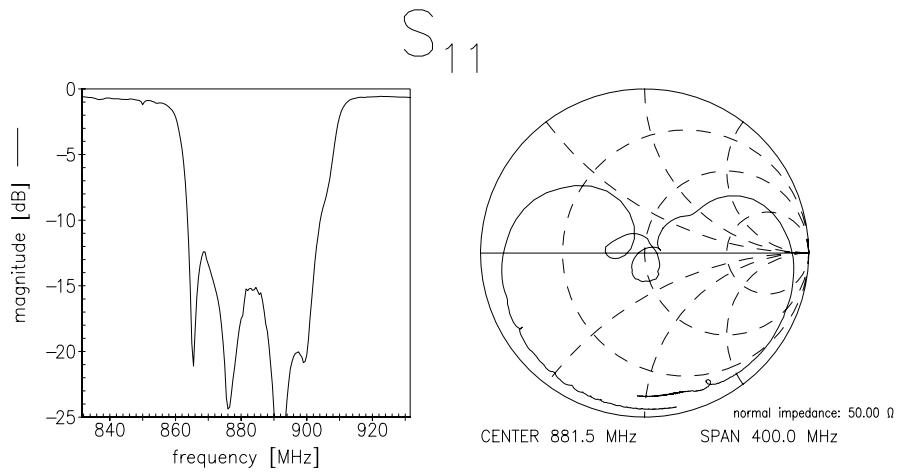


Transfer function (wideband)





Reflection functions





SAW Components	B3851
Low-Loss Filter for Mobile Communication	881,50 MHz
Preliminary Data	

Published by EPCOS AG
Surface Acoustic Wave Components Division, SAW MC WT
P.O. Box 80 17 09, 81617 Munich, GERMANY

© EPCOS AG 2002. Reproduction, publication and dissemination of this brochure and the information contained therein without EPCOS' prior express consent is prohibited.

Purchase orders are subject to the General Conditions for the Supply of Products and Services of the Electrical and Electronics Industry recommended by the ZVEI (German Electrical and Electronic Manufacturers' Association), unless otherwise agreed.

This brochure replaces the previous edition.

For questions on technology, prices and delivery please contact the Sales Offices of EPCOS AG or the international Representatives.

Due to technical requirements components may contain dangerous substances. For information on the type in question please also contact one of our Sales Offices.