



Chipsmall Limited consists of a professional team with an average of over 10 year of expertise in the distribution of electronic components. Based in Hongkong, we have already established firm and mutual-benefit business relationships with customers from,Europe,America and south Asia,supplying obsolete and hard-to-find components to meet their specific needs.

With the principle of “Quality Parts,Customers Priority,Honest Operation,and Considerate Service”,our business mainly focus on the distribution of electronic components. Line cards we deal with include Microchip,ALPS,ROHM,Xilinx,Pulse,ON,Everlight and Freescale. Main products comprise IC,Modules,Potentiometer,IC Socket,Relay,Connector.Our parts cover such applications as commercial,industrial, and automotives areas.

We are looking forward to setting up business relationship with you and hope to provide you with the best service and solution. Let us make a better world for our industry!



Contact us

Tel: +86-755-8981 8866 Fax: +86-755-8427 6832

Email & Skype: info@chipsmall.com Web: www.chipsmall.com

Address: A1208, Overseas Decoration Building, #122 Zhenhua RD., Futian, Shenzhen, China





SAW Components

Data Sheet B7704





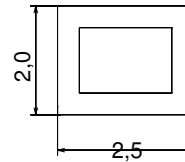
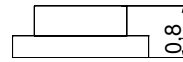
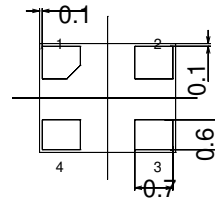
Chip Sized SAW Package DCS4C

Features

- Low-loss RF filter for mobile telephone Cell systems, receive path
- Low amplitude ripple
- Usable passband 25 MHz
- Suitable for GPRS class 1 to12
- Package for Surface Mounted Technology (SMT)

Terminals

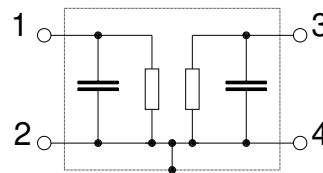
- Gold-plated Ni



Dimensions in mm, approx. weight 0,015 g

Pin configuration

- 1 Input
- 3 Output
- 2, 4 Ground



Type	Ordering code	Marking and Package according to	Packing according to
B7704	B39881-B7704-C510	C61157-A7-A80	F61074-V8104-Z000

Electrostatic Sensitive Device (ESD)

Maximum ratings

Operating temperature range	T	- 30/+ 85	°C	peak power of GSM signal, duty cycle 4:8
Storage temperature range	T_{stg}	- 40/+ 85	°C	
DC voltage	V_{DC}	5	V	
Input power at GSM850, GSM900, GSM1800 and GSM1900 Tx bands	P_{IN}	15	dBm	



Characteristics

Operating temperature range: $T = -20$ to $+80$ °C
 Terminating source impedance: $Z_S = 50 \Omega$
 Terminating load impedance: $Z_L = 50 \Omega$

			min.	typ.	max.	
Center frequency	f_C		—	881,5	—	MHz
Maximum insertion attenuation	α_{max}	869,0 ... 894,0 MHz	—	2,4	2,6	dB
Amplitude ripple (p-p)	$\Delta\alpha$	869,0 ... 894,0 MHz	—	0,8	1,0	dB
Return loss		869,0 ... 894,0 MHz	—	12,0	10,0	dB
Attenuation	α	0,0 ... 780,0 MHz	45,0	62,0	—	dB
		780,0 ... 840,0 MHz	45,0	55,0	—	dB
		840,0 ... 851,0 MHz	38,0	40,0	—	dB
		914,0 ... 924,0 MHz	24,0	26,0	—	dB
		924,0 ... 950,0 MHz	35,0	40,0	—	dB
		950,0 ... 997,0 MHz	35,0	50,0	—	dB
		997,0 ... 2200,0 MHz	40,0	50,0	—	dB
		2200,0 ... 3000,0 MHz	35,0	42,0	—	dB
		3000,0 ... 4000,0 MHz	20,0	28,0	—	dB
		4000,0 ... 6000,0 MHz	10,0	18,0	—	dB
Tx band suppression	α	824,0 ... 849,0 MHz	38,0	40,0	—	dB



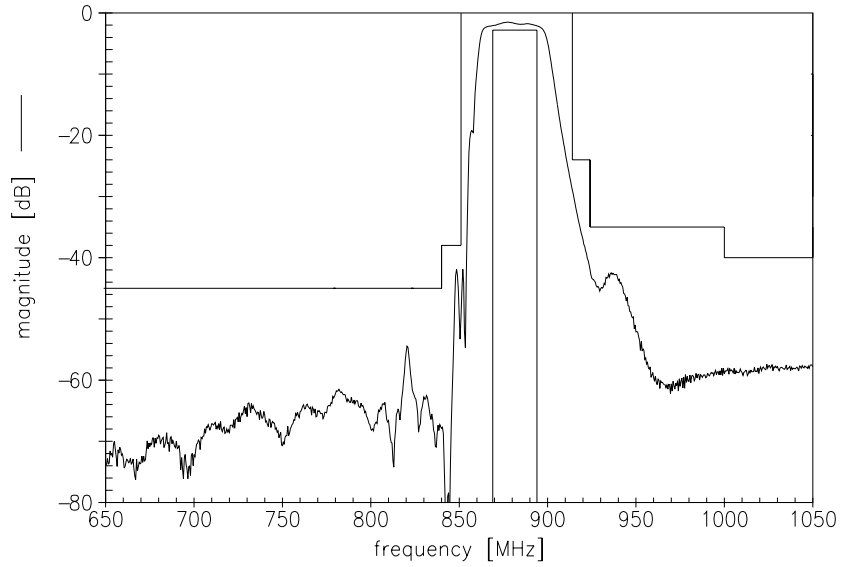
Characteristics

Operating temperature range: $T = -30$ to $+85$ °C
 Terminating source impedance: $Z_S = 50 \Omega$
 Terminating load impedance: $Z_L = 50 \Omega$

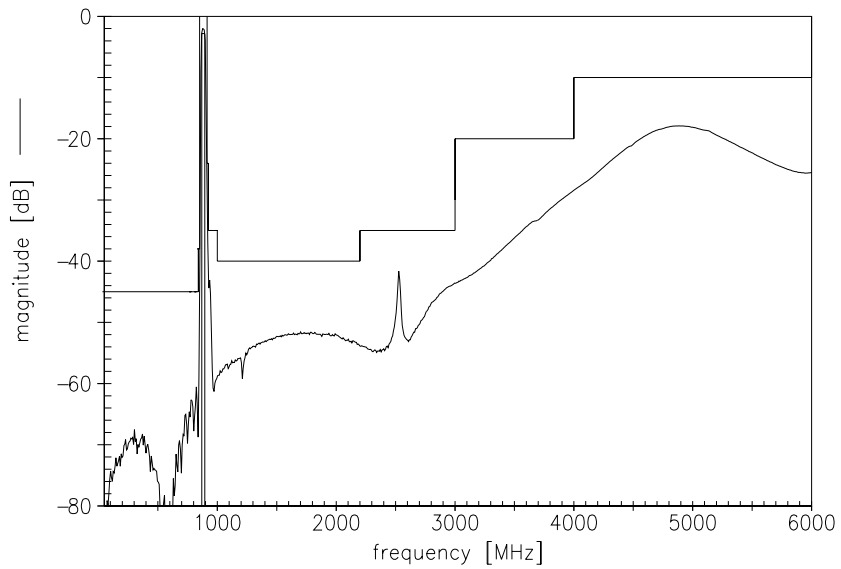
			min.	typ.	max.	
Center frequency	f_C		—	881,5	—	MHz
Maximum insertion attenuation	α_{max}	869,0 ... 894,0 MHz	—	2,5	2,7	dB
Amplitude ripple (p-p)	$\Delta\alpha$	869,0 ... 894,0 MHz	—	0,9	1,1	dB
Return loss		869,0 ... 894,0 MHz	—	12,0	10,0	dB
Attenuation	α	0,0 ... 780,0 MHz	45,0	62,0	—	dB
		780,0 ... 840,0 MHz	45,0	55,0	—	dB
		840,0 ... 851,0 MHz	38,0	40,0	—	dB
		914,0 ... 924,0 MHz	24,0	26,0	—	dB
		924,0 ... 950,0 MHz	35,0	40,0	—	dB
		950,0 ... 997,0 MHz	35,0	50,0	—	dB
		997,0 ... 2200,0 MHz	40,0	50,0	—	dB
		2200,0 ... 3000,0 MHz	35,0	42,0	—	dB
		3000,0 ... 4000,0 MHz	20,0	28,0	—	dB
		4000,0 ... 6000,0 MHz	10,0	18,0	—	dB
Tx band suppression	α	824,0 ... 849,0 MHz	38,0	40,0	—	dB



Transfer function

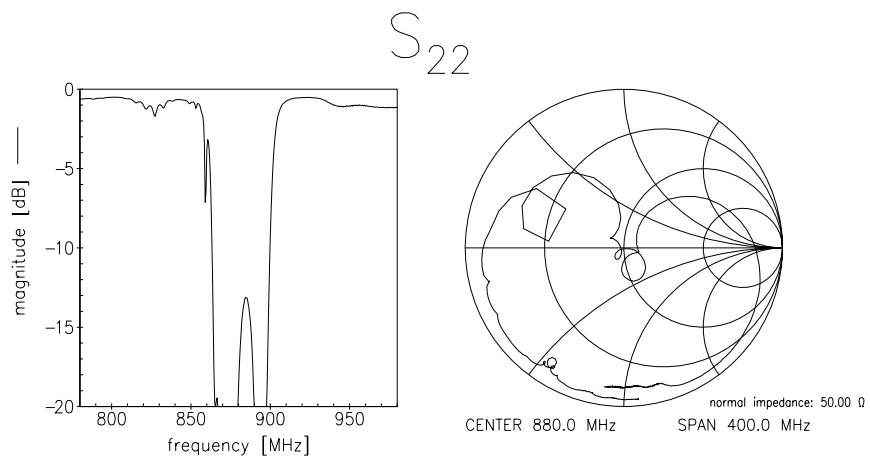
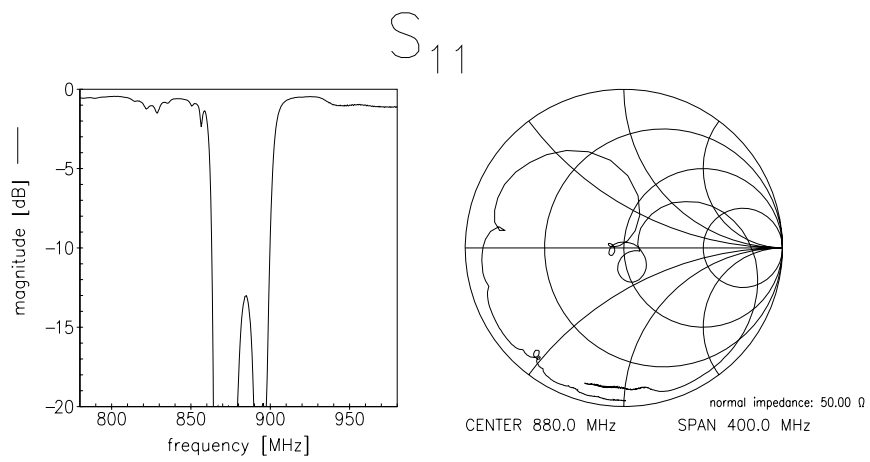


Transfer function (wideband)





Reflection functions





SAW Components

B7704

Low-Loss Filter for Mobile Communication

881,5 MHz

Data Sheet



Published by EPCOS AG

Surface Acoustic Wave Components Division, SAW MC WT

P.O. Box 80 17 09, 81617 Munich, GERMANY

© EPCOS AG 2002. Reproduction, publication and dissemination of this brochure and the information contained therein without EPCOS' prior express consent is prohibited.

Purchase orders are subject to the General Conditions for the Supply of Products and Services of the Electrical and Electronics Industry recommended by the ZVEI (German Electrical and Electronic Manufacturers' Association), unless otherwise agreed.

This brochure replaces the previous edition.

For questions on technology, prices and delivery please contact the Sales Offices of EPCOS AG or the international Representatives.

Due to technical requirements components may contain dangerous substances. For information on the type in question please also contact one of our Sales Offices.